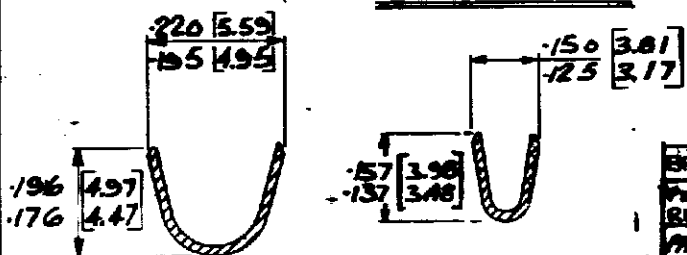
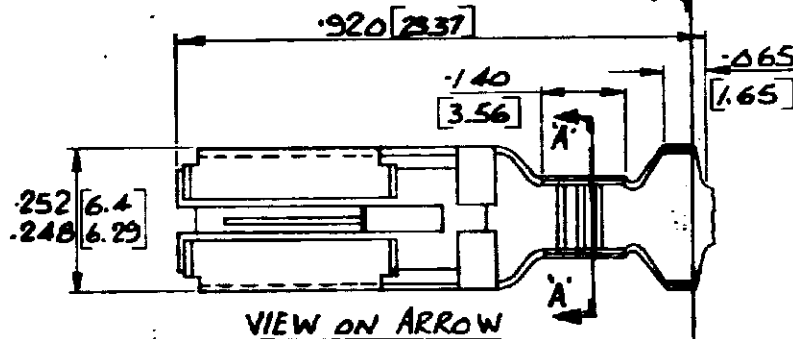
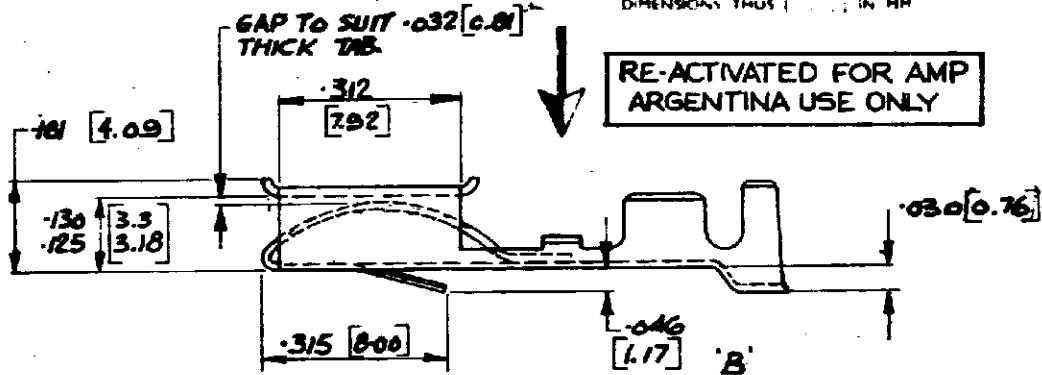


NUMBER
C/53300

90° ANGLE (AMERICAN) PROJECTION

DIMENSIONS IN INCHES - DO NOT SCALE PRINT
DIMENSIONS THUS [] IN MM



BRASS ELECT. TIN	153300-5	341208-5
PRE-TINNED BRASS REVERSED REEL	153300-2	---
PHOS. BRONZE RE-TIN	153300-4	341208-4
PHOS. BRONZE	153300-8	341208-3
PRE-TINNED BRASS	153300-2	341208-2
BRASS	153300-1	341208-1
MATERIAL FINISH	STRIP	L.P. PART NO.

SECTION B-B

M	2 OBSOLETE	ABH	5055	27/88
L	RE-ACTIVATED & -5 ADDED	NPK	4608	20-5-82
K	OBSOLETE	NW		20-5-84

J	L.P. NOS ADDED	MW	73-85
H	1-2 ADDED	KS	7/8/81

AMP OF GREAT BRITAIN LTD 1972
CUSTOMER COPY REFERENCE ONLY

012 [0.30]

AMP TERMINAL HOME

014 [0.35] [53300-1]

4:1 E A C-153300

SPRING RECEPTACLE