

4

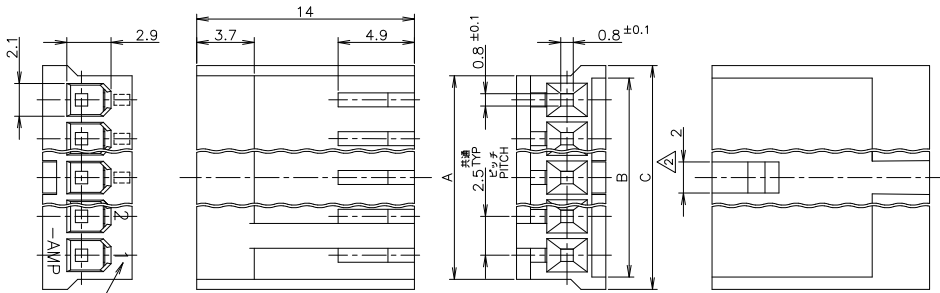
3

2

1

THIS DRAWING IS UNPUBLISHED. RELEASED FOR PUBLICATION
 © COPYRIGHT - By - ALL RIGHTS RESERVED.

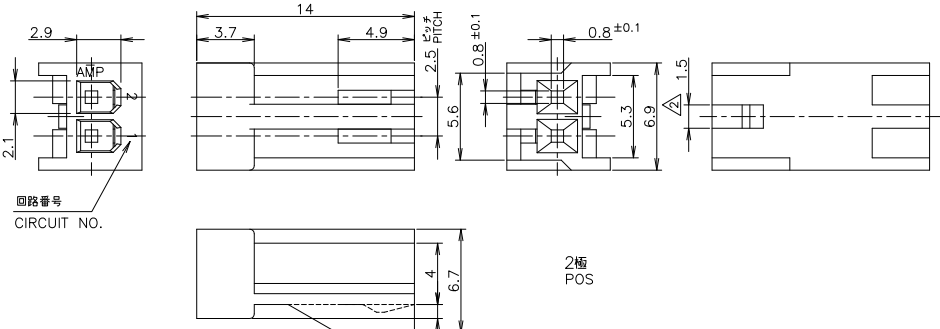
LOC		DIST		REVISIONS			
P	LTR	DESCRIPTION		DATE	DWN	APVD	
L1		REVISED PER ECO-11-005030		11MAR11	RK	HMR	



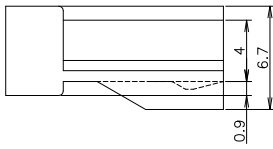
回路番号
CIRCUIT NO.



3~12極
POS



回路番号
CIRCUIT NO.



2極
POS

- 1 使用するコンタクトは 170262 又は 170263.
 ⚠ ロッキング凸部位置は長手方向の中央。
- 1 CONTACTS, 170262 & 170263 ARE USED.
 ⚠ LOCKING PROTRUSION IS PLACED ON THE CENTER OF HOUSING.

31.9	30.3	30.6	12		9-171822-2	7-171822-2
26.9	25.3	25.6	10		9-	-0
24.4	22.8	23.1	9		8-	-9
21.9	20.3	20.6	8		8-	-8
19.4	17.8	18.1	7		8-	-7
16.9	15.3	15.6	6		8-	-6
14.4	12.8	13.1	5		8-	-5
11.9	10.3	10.6	4		8-	-4
9.4	7.8	8.1	3		8-	-3
-図示- SHOWN				2	8-171822-2	6-171822-2
C	B	A	極数 (POS)		赤色 (RED)	緑色 (GREEN)
型番 (PART NUMBER)						
31.9	30.3	30.6	12	5-171822-2	3-171822-2	1-171822-2
26.9	25.3	25.6	10	5-	-0	1-
24.4	22.8	23.1	9	4-	-9	-9
21.9	20.3	20.6	8	4-	-8	-8
19.4	17.8	18.1	7	4-	-7	-7
16.9	15.3	15.6	6	4-	-6	-6
14.4	12.8	13.1	5	4-	-5	-5
11.9	10.3	10.6	4	4-	-4	-4
9.4	7.8	8.1	3	4-	-3	-3
-図示- SHOWN				2	4-171822-2	2-171822-2
C	B	A	極数 (POS)		青色 (BLUE)	黒色 (BLACK)
型番 (PART NUMBER)						
					171822-2	

THIS DRAWING IS A CONTROLLED DOCUMENT.

DIMENSIONS: 単位: 純 mm	TOLERANCES UNLESS OTHERWISE SPECIFIED: 公差
0 PLC	± -
1 PLC	± -
2 PLC	± -
3 PLC	± -
4 PLC	± -
ANGLES	± -
FINISH 仕上	

GENERAL TOLERANCE
 一般公差
 10 ≥ : ±0.2
 30 ≥ > 10: ±0.25
 100 ≥ > 30: ±0.3
 ANGLES: ±3°

MATERIAL
 材料
 66 NYLON
 (UL94-0)

DWN H.HOSHINO 12JUN97
 CHK J.TANIGAWA 12JUN97
 APVD S.KUBOUCHI 03OCT97

TE TE Connectivity

HOUSING
 AMP EI SERIES CONNECTOR

製品番号
 108-5118

取付適用規格

SIZE A3 CAGE CODE 00779 DRAWING NO. 171822 RESTRICTED TO

WEIGHT

CUSTOMER DRAWING SCALE 4:1 SHEET 1 OF 1 REV L1