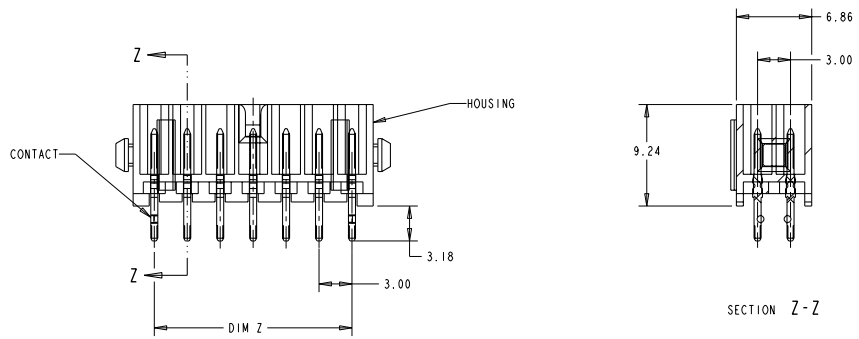
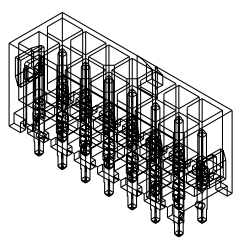
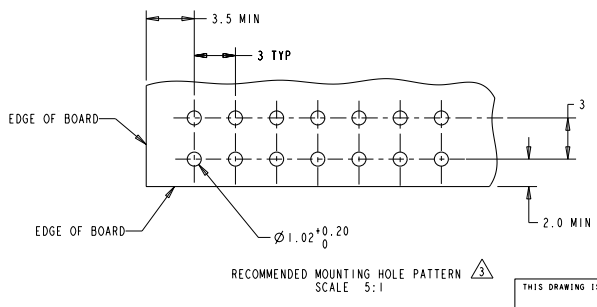
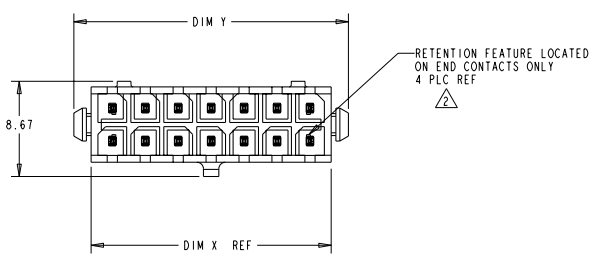


REV	DATE	BY	CHK	APPROV	DESCRIPTION
E1	14MAR2011	JK	HMA		REVISED PER ECO-11-005027



- ⚠ MATERIAL: HOUSING - NYLON, UL 94V-0, BLACK.
CONTACT - BRASS.
0.00254 MINIMUM TIN LEAD OVER
0.00127 MINIMUM NICKEL ALL OVER.
- ⚠ MAXIMUM INSERTION 20 LBS.
- ⚠ RECOMMENDED BOARD THICKNESS 1.57.
- ⚠ MATERIAL: HOUSING - NYLON, UL 94V-0, BLACK.
CONTACT - BRASS.
0.00254 MINIMUM TIN OVER
0.00127 MINIMUM NICKEL ALL OVER.



3 DIMENSIONAL MODEL

40.00	33.00	36.86	24	5-794630-4	
37.00	30.00	33.86	22	5-794630-2	
34.00	27.00	30.86	20	5-794630-0	
31.00	24.00	27.86	18	4-794630-8	
28.00	21.00	24.86	16	4-794630-6	
25.00	18.00	21.86	14	4-794630-4	
22.00	15.00	18.86	12	4-794630-2	
19.00	12.00	15.86	10	4-794630-0	
16.00	9.00	12.86	8	3-794630-8	
13.00	6.00	9.86	6	3-794630-6	
10.00	3.00	6.86	4	3-794630-4	
7.00	-	3.86	2	3-794630-2	
40.00	33.00	36.86	24	2-794630-4	
37.00	30.00	33.86	22	2-794630-2	
34.00	27.00	30.86	20	2-794630-0	
31.00	24.00	27.86	18	1-794630-8	
28.00	21.00	24.86	16	1-794630-6	
25.00	18.00	21.86	14	1-794630-4	
22.00	15.00	18.86	12	1-794630-2	
19.00	12.00	15.86	10	1-794630-0	
16.00	9.00	12.86	8	794630-8	
13.00	6.00	9.86	6	794630-6	
10.00	3.00	6.86	4	794630-4	
7.00	-	3.86	2	794630-2	
FINISH	DIM Y	DIM Z	DIM X	NO. OF POSN.	ASSEMBLY

THIS DRAWING IS A CONTROLLED DOCUMENT. DWG NO. WHILLACE 20APR2005
 CM JONES 20APR2005
 APP JONES 20APR2005

TE Connectivity
TE
 VERTICAL HEADER ASSEMBLY, THRU HOLE, TIN, DUAL ROW, MICRO MATE-N-LOK(TM)

DATE: 14MAR2011 CASE CODE: A200779 DRAWING NO: 794630
 SCALE: 4:1 SHEET 1 OF 1 REV: E1



794630

A