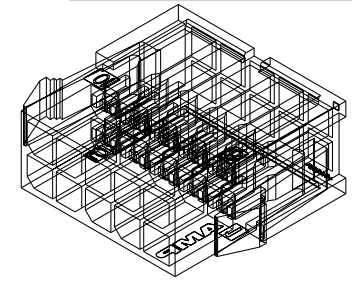
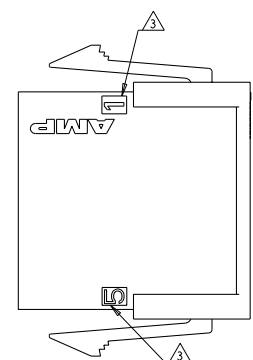
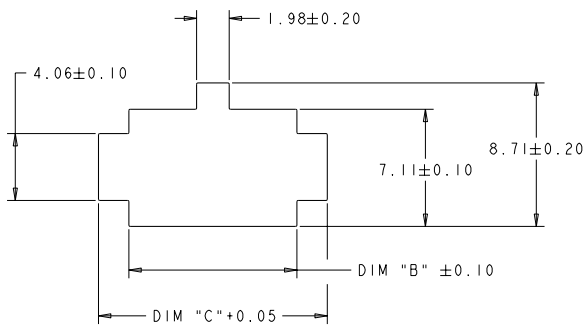
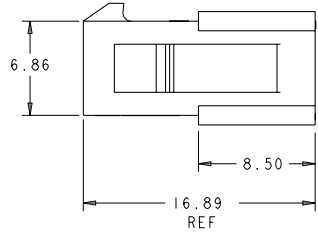
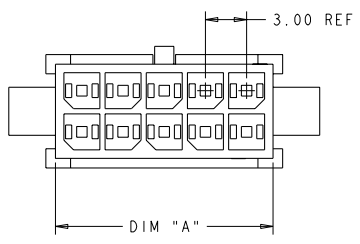


LOC	DISP	REV	DESCRIPTION	DATE	BY	APPV
CM	00	P	REVISED PER ECO-11-005027	10MAR2011	JK	HMR

- △ RECOMMENDED PANEL THICKNESS 1.57-2.3.
- 2. PANEL MUST BE PUNCHED SO THAT HOUSING ENTERS THE PANEL IN THE SAME DIRECTION AS THE PUNCH.
- △ CIRCUIT IDENTIFIERS LOCATED APPROXIMATELY AS SHOWN.



SCALE 5:1



40.88	37.20	36.85	24	2-794615-4
37.88	34.20	33.85	22	2-794615-2
34.88	31.20	30.85	20	2-794615-0
31.88	28.20	27.85	18	1-794615-8
28.88	25.20	24.85	16	1-794615-6
25.88	22.20	21.85	14	1-794615-4
22.88	19.20	18.85	12	1-794615-2
19.88	16.20	15.85	10	1-794615-0
16.88	13.20	12.85	8	794615-8
13.88	10.20	9.85	6	794615-6
10.88	7.20	6.85	4	794615-4
7.88	4.20	3.85	2	794615-2
DIM C	DIM B	DIM A	NO. OF POS.	PART NUMBER

THIS DRAWING IS A CONTROLLED DOCUMENT. **TE Connectivity**

DESIGNED BY: W. RUDY 29AUG2000  
 CHECKED BY: W. DAVIS 29AUG2000  
 DRAWN BY: W. DAVIS 29AUG2000  
 APPROVED BY: W. DAVIS 29AUG2000

PRODUCT SPEC: PLUG HOUSING, 2 to 24 POSITION DUAL ROW, PANEL MOUNT MICRO MATE-N-LOK(TM)  
 APPLICATION SPEC: -  
 WEIGHT: -  
 MATERIAL: NYLON, UL94V-0 BLACK  
 FINISH: -

SHEET: A200779 CASE CODE: C-794615 DRAWING NO: -  
 CUSTOMER DRAWING SCALE: 6:1 SHEET 1 OF 1 REV P