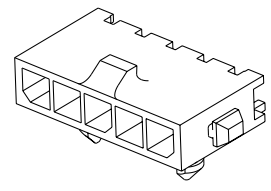
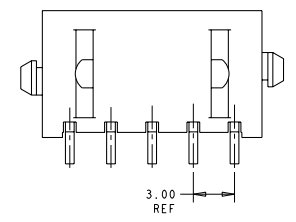
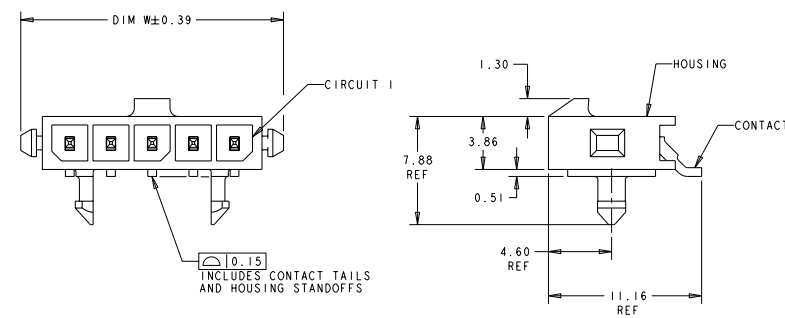


REV	DATE	BY	CHK	APPROV
B1	18MAR2011	JK	HMA	



- △ MATERIAL: CONTACTS - BRASS  
HOUSING - UL 94V-0 RATED HIGH TEMP NYLON, COLOR BLACK.
- △ PLATING: CONTACTS - 0.76µm MINIMUM GOLD ON MATING AREA,  
2.5µm MINIMUM TIN LEAD ON SOLDER TAILS, BOTH OVER 1.27µm  
MINIMUM NICKEL.
- △ RECOMMENDED PC BOARD THICKNESS OF 1.57.
- △ PLATING: CONTACTS - 0.76µm MINIMUM GOLD ON MATING AREA,  
2.5µm MINIMUM MATTE TIN ON SOLDER TAILS, BOTH OVER 1.27µm  
MINIMUM NICKEL.

△	33.00	28.70	33.00	40.00	12	3-1445101-2
△	30.00	25.70	30.00	37.00	11	3-1445101-1
△	27.00	22.70	27.00	34.00	10	3-1445101-0
△	24.00	19.70	24.00	31.00	9	2-1445101-9
△	21.00	16.70	21.00	28.00	8	2-1445101-8
△	18.00	13.70	18.00	25.00	7	2-1445101-7
△	15.00	10.70	15.00	22.00	6	2-1445101-6
△	12.00	7.70	12.00	19.00	5	2-1445101-5
△	9.00	4.70	9.00	16.00	4	2-1445101-4
△	-	-	6.00	13.00	3	2-1445101-3
△	-	-	3.00	10.00	2	2-1445101-2
△	33.00	28.70	33.00	40.00	12	1-1445101-2
△	30.00	25.70	30.00	37.00	11	1-1445101-1
△	27.00	22.70	27.00	34.00	10	1-1445101-0
△	24.00	19.70	24.00	31.00	9	1445101-9
△	21.00	16.70	21.00	28.00	8	1445101-8
△	18.00	13.70	18.00	25.00	7	1445101-7
△	15.00	10.70	15.00	22.00	6	1445101-6
△	12.00	7.70	12.00	19.00	5	1445101-5
△	9.00	4.70	9.00	16.00	4	1445101-4
△	-	-	6.00	13.00	3	1445101-3
△	-	-	3.00	10.00	2	1445101-2
FINISH	DIM Z	DIM V	DIM T	DIM W	NO. OF POSN	PART NUMBER

THIS DRAWING IS A CONTROLLED DOCUMENT. DWG NO. 09OCT2000  
 J. ROOT 17-APR-2001  
 A. WHITAKER 17-APR-2001  
 J. JONES 17-APR-2001

DIMENSIONS: mm  
 TO DIMENSIONS AND TOLERANCES SPECIFIED

0 PLC ±0.13  
 1 PLC ±0.13  
 2 PLC ±0.13  
 3 PLC ±0.13  
 4 PLC ±0.13  
 ANGLES ±0.13

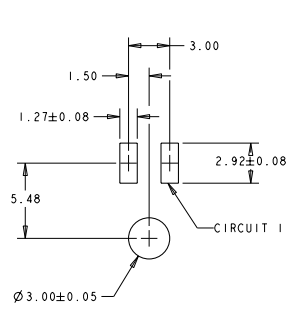
MATERIAL: BRASS  
 FINISH: SEE TABLE

TE Connectivity  
 RIGHT ANGLE SURFACE MNT HEADER ASSY,  
 0.76 MIC GOLD CONTACTS, W/PLASTIC  
 HOLDDOWNS, SGL ROW, MICRO MATE-N-LOK

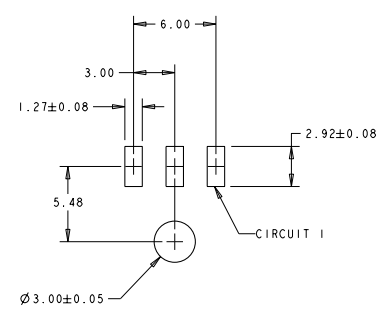
SIZE: A2  
 CASE CODE: 000779  
 DRAWING NO: 1445101

RESTRICTED TO: REV B1  
 SCALE: 5:1 SHEET 1 OF 2

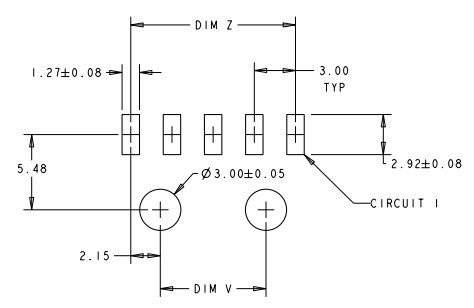
REV	DATE	BY	APPROV
1	-	-	-
2	-	-	-
3	-	-	-
4	-	-	-



PCB LAYOUT FOR 2 POSITION COMPONENT SIDE



PCB LAYOUT FOR 3 POSITION COMPONENT SIDE



PCB LAYOUT FOR 4-12 POSITION COMPONENT SIDE



THIS DRAWING IS A CONTROLLED DOCUMENT.		OWN: J. ROOT 09OCT2000	
DIMENSIONS: mm		CM: A. WHITFIELD 17-APR-2001	
MATERIAL:		APPROV: C. JONES 17-APR-2001	NAME: RIGHT ANGLE SURFACE MNT HEADER ASSY, 0.76 MIC GOLD CONTACTS, W/PLASTIC HOLD-DOWNS, SGL ROW, MICRO MATE-N-LOK
FINISH:		PRODUCT SPEC: APPLICATION SPEC	SIZE: A200779
SEE TABLE		WEIGHT: -	DRAWING NO: 1445101
CUSTOMER DRAWING		SCALE: 5:1	SHEET 2 OF 2
			RESTRICTED TO: REV B1