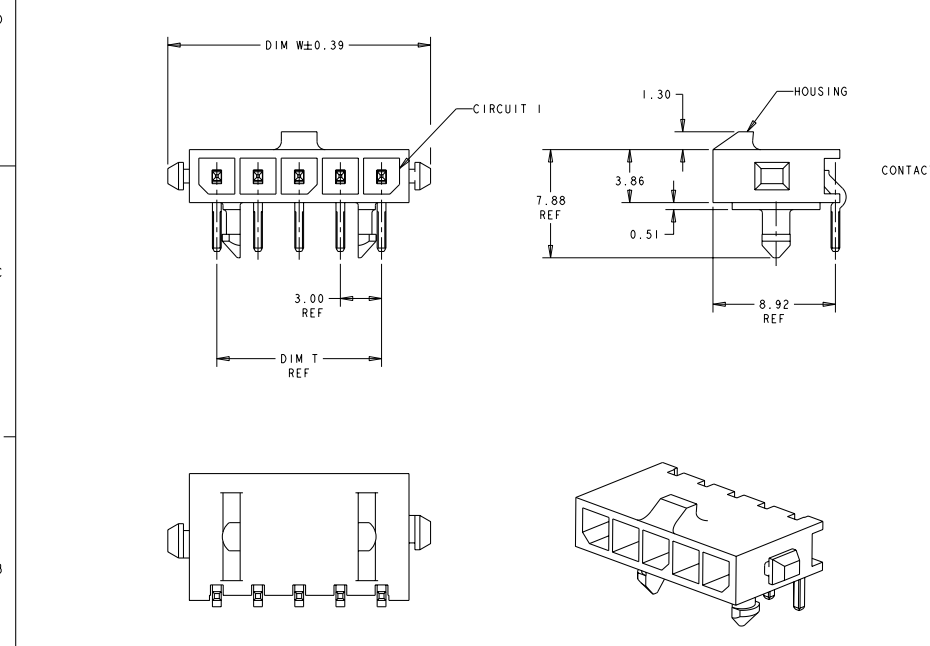


LOC	DISP	REVISIONS			
P	LYR	DESCRIPTION	DATE	DRN	APVS
CM	00				
A2		REVISED PER ECR-11-014228	11JUL2011	HMR	TM



- △ MATERIAL: CONTACTS - BRASS
HOUSING - UL 94V-0 RATED HIGH TEMP NYLON, COLOR BLACK.
- △ PLATING: CONTACTS - 0.76µm MINIMUM GOLD ON MATING END,
2.54µm MINIMUM TIN LEAD ON SOLDER TAILS, BOTH OVER
1.27µm MINIMUM NICKEL.
- △ DATUMS AND BASIC DIMENSIONS ARE ESTABLISHED BY CUSTOMER.
- △ RECOMMENDED PC BOARD THICKNESS OF 1.57.
- △ PLATING: CONTACTS - 0.76µm MINIMUM GOLD ON MATING END,
2.54µm MINIMUM MATTE TIN ON SOLDER TAILS, BOTH OVER
1.27µm MINIMUM NICKEL.

△	33.00	28.70	33.00	40.14	12	3-1445098-2
△	30.00	25.70	30.00	37.14	11	3-1445098-1
△	27.00	22.70	27.00	34.14	10	3-1445098-0
△	24.00	19.70	24.00	31.14	9	2-1445098-9
△	21.00	16.70	21.00	28.14	8	2-1445098-8
△	18.00	13.70	18.00	25.14	7	2-1445098-7
△	15.00	10.70	15.00	22.14	6	2-1445098-6
△	12.00	7.70	12.00	19.14	5	2-1445098-5
△	9.00	4.70	9.00	16.14	4	2-1445098-4
△	-	-	6.00	13.14	3	2-1445098-3
△	-	-	3.00	10.14	2	2-1445098-2
△	33.00	28.70	33.00	40.14	12	1-1445098-2
△	30.00	25.70	30.00	37.14	11	1-1445098-1
△	27.00	22.70	27.00	34.14	10	1-1445098-0
△	24.00	19.70	24.00	31.14	9	1445098-9
△	21.00	16.70	21.00	28.14	8	1445098-8
△	18.00	13.70	18.00	25.14	7	1445098-7
△	15.00	10.70	15.00	22.14	6	1445098-6
△	12.00	7.70	12.00	19.14	5	1445098-5
△	9.00	4.70	9.00	16.14	4	1445098-4
△	-	-	6.00	13.14	3	1445098-3
△	-	-	3.00	10.14	2	1445098-2
FINISH	DIM Z	DIM V	DIM T	DIM W	NO. OF POSN	PART NUMBER



THIS DRAWING IS A CONTROLLED DOCUMENT. DWG NO. 09OCT2000
 DESIGNED BY J. ROOT 17-APR-2001
 CHECKED BY A. WHITAKER 17-APR-2001
 APPROVED BY C. JONES 17-APR-2001

DIMENSIONS: mm
 TO DRAWING SPECIFICATIONS
 0 PLC ±.01
 1 PLC ±.02
 2 PLC ±.03
 3 PLC ±.05
 4 PLC ±.08
 ANGLES ±.01

PRODUCT SPEC: RIGHT ANGLE THRU HOLE HEADER ASSY, 0.76 MIC GOLD CONTACTS, W/PLASTIC HOLD-DOWNS, SGL ROW, MICRO MATE-N-LOK™
 APPLICATION SPEC: -
 WEIGHT: -
 FINISH: SEE TABLE

DATE: 17-APR-2001
 SIZE: A2
 CASE CODE: 000799
 DRAWING NO: 1445098
 RESTRICTED TO: -
 SCALE: 5:1
 SHEET: 1 OF 2
 REV: A2

TE Connectivity

4

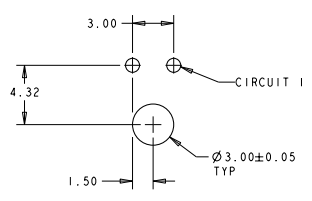
3

2

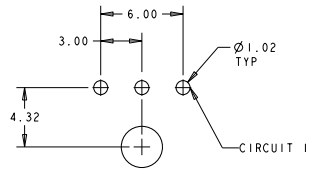
1

THIS DRAWING IS UNPUBLISHED. RELEASED FOR PUBLICATION
 COPYRIGHT © BY - ALL RIGHTS RESERVED.

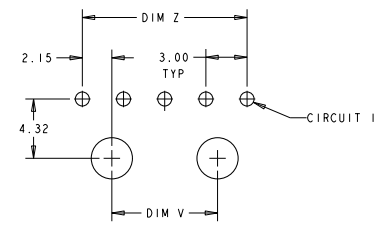
LOC	DISP	REVISIONS			
P	LYR	DESCRIPTION	DATE	BY	APPR
-	-	SEE SHEET 1	-	-	-



PCB LAYOUT FOR 2 POSITION \triangle
 COMPONENT SIDE



PCB LAYOUT FOR 3 POSITION \triangle
 COMPONENT SIDE



PCB LAYOUT FOR 4-12 POSITION \triangle
 COMPONENT SIDE



THIS DRAWING IS A CONTROLLED DOCUMENT.		OWN	J. ROOT	09OCT2000	
DIMENSIONS:		CD	A. WHITFIELD	17-APR-2001	
mm		APPROVED:		17-APR-2001	RIGHT ANGLE THRU HOLE HEADER ASSY. 0.76 MIC GOLD CONTACTS, W/PLASTIC HOLDDOWNS, SGL ROW, MICRO MATE-N-LOK
		TO DRAWING SPEC.		NAME	
0 PLC ± 1 PLC ± 2 PLC ±0.13 3 PLC ± 4 PLC ± ANGLES ±		PRODUCT SPEC.		DATE	
MATERIAL		APPLICATION SPEC.		DRAWING NO.	
FINISH		WEIGHT		SHEET	RESTRICTED TO
SEE TABLE		CUSTOMER DRAWING		A200779	1445098
		SCALE		5:1	SHEET
				2	OF 2
					REV
					A2

1477-B (2/11)