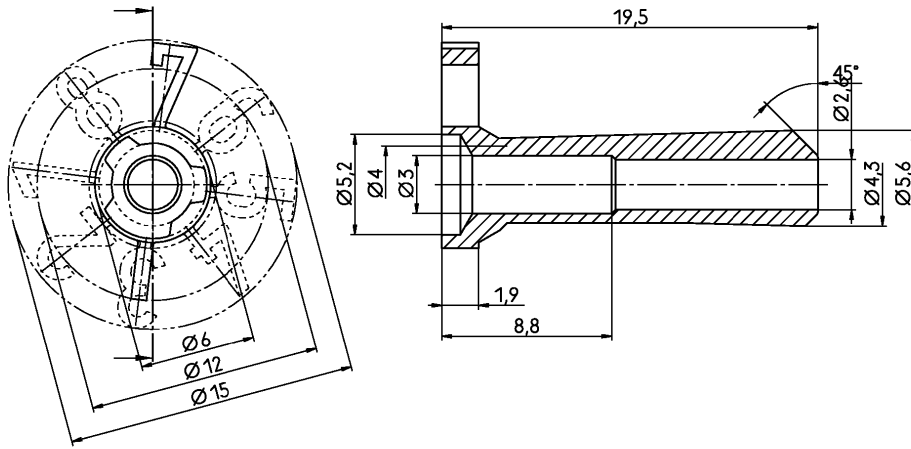


THIS DRAWING IS A CONTROLLED DOCUMENT.



Angespritzte Ziffer	Sachnummer
1	-Z16*
2	-Z26*
3	-Z36*
4	-Z46*
5	-Z56*
6	-Z66*
7	-Z76*
8	-Z86*
On-moulded digit	Part-number

Active part numbers. Contact TE for other configuration availability

Codierungsübersicht siehe Einbauanleitung:
Coding Survey see Mounting Instructions:
V23552-A1000-Z***-*-7428

Old Part Number	TE Part Number
V23552-B9000-Z161	4-1393702-3 <i>obsolete</i>
V23552-B9000-Z162	4-1393702-4
V23552-B9000-Z262	5-1393702-9
V23552-B9000-Z362	7-1393702-3
V23552-B9000-Z462	8-1393702-6 <i>obsolete</i>
V23552-B9000-Z562	9-1393702-9 <i>obsolete</i>
V23552-B9000-Z662	1-1393703-2
V23552-B9000-Z762	2-1393703-3
V23552-B9000-Z862	3-1393703-4

Sachnummer	Verpackungseinheit (+Mindestbestellmenge)
-Z*61	pro 50 Stck./per 50 Pcs.
-Z*62	pro 500 Stck./per 500 Pcs.
Part-number	Packaging-unit (+Minimum order)

TE TE Connectivity		SCALE 5:1	WEIGHT
LOC	DIMENSIONS IN MM	MATERIAL Farbe:grün Colour:green	
DATE 05.05.95	NAME Varbesten	PART NAME Maßbild:Codierschlüssel	
DEP. PD COM		Dimensional Drawing: Coding key	
AZ ECR-09-013895 31MAR11 MKO		PART NO. V23552-B9000-Z*6*-*-7428	
A1 OUG-0156-00 20.12.00 DP		SHF. 1-	
A WO 00/7002 12.05.00 VS			
01 05.05.95 Vb			
REV CHANGE ORDER	DATE	APP	Customer Drawing Nr.: C 4-1393702-3
5		6	7
			8
OF 1			