

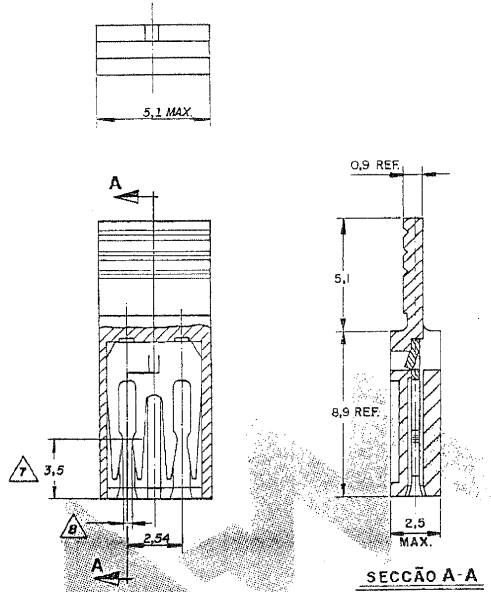
DO NOT SCALE
DIMENSIONS IN

METRIC



NOTAS

- 1 MATERIAL: HOUSING: THERMOPLASTICO S/ FIBRA DE VIDRO V-0 COR: PRETO CONTACTO: BRONZE FOSFORADO
- 2 MATERIAL: HOUSING: THERMOPLASTICO SEM FIBRA DE VIDRO V-0 COR: PRETO CONTACTO: BRONZE FOSFORADO
- 3 MATERIAL: HOUSING: THERMOPLASTICO C/ FIBRA DE VIDRO NR. COLO: NATURAL CONTACTO: BRONZE FOSFORADO
- 4 MATERIAL: HOUSING: THERMOPLASTICO WITH GLASS FIBER NR. COLOR: NATURAL CONTACTO: PHOSPHOROUS BRONZE
- 5 0,38 µm. MIN. OURO NA AREA DE CONTATO, SOBRE BANHO 0,76 µm NIQUEL
- 6 0,38 µm. MIN. GOLD ON CONTACT AREA, 0,76 µm NIQUEL UNDERPLATING
- 7 0,76 µm. MIN. OURO NA AREA DE CONTATO, SOBRE BANHO 0,76 µm NIQUEL
- 8 0,76 µm. MIN. GOLD ON CONTACT AREA, 0,76 µm NIQUEL UNDERPLATING
- 9 1,27 µm. MIN. OURO NA AREA DE CONTATO, SOBRE BANHO 0,76 µm NIQUEL
- 10 1,27 µm. MIN. GOLD ON CONTACT AREA, 0,76 µm NIQUEL UNDERPLATING
- 11 ESTANHO SOBRE NIQUEL
- 12 TIN UNDER NIQUEL
- 13 PUNTO DE CONTATO #/ MEDICIÓN DA CAMADA DE OURO
- 14 CONTACT POINT FOR GOLD PLATING MEASUREMENT
- 15 ACHETA PINO QUADRADO 0,64 x 0,64 OU REDONDO F 0,64
- 16 ALLOW SQUARE PIN 0,64 x 0,64 OR ROUND F 0,64
- 17 MATERIAL: HOUSING: THERMOPLASTICO C/ FIBRA DE VIDRO COR VERMELHO, V-2 CONTACTO: BRONZE FOSFORADO
- 18 MATERIAL: HOUSING: THERMOPLASTIC WITH GLASS FIBER COLOR RED; V-2 CONTACTO: PHOSPHOROUS BRONZE



	3	10	L	2 - 880584	- 1
11 OBSOLETE	6	9			- 9
11 OBSOLETE	6	4			- 8
	5				- 7
11 OBSOLETE	4				- 6
	5	2			- 5
	6				- 4
11 OBSOLETE	5				- 3
	4				- 2
	3	1	K7	880584	- 1

OTHER TREATMENT	FINISH	MATERIAL	PART REV.	PART NUMBER
CUSTOMER DWG for REFERENCE ONLY				
TOLERANCES UNLESS OTHERWISE STATED DEC ± 0,3 ANGLES 2°		INS. DIA. RANGE	WIRE RANGE	SCALE
DR: <i>Debes 8/18/84</i>		TE TE Connectivity		
CHK: <i>11 JUN 84</i>		DESCRIPTION: AMP SHUNT CONNECTOR ASSY		
14 REV ECO 11-023509 HC WLS	DR: <i>11 JUN 84</i>	APP. NO: A3		
13 REVISED PER ECO-11-005139 RK HMR 20MAR11	APP. DATE: <i>11 JUN 84</i>	C 880584		
152 REVISION RECORD DR CNK DATE		3x5CT 10x2		

C 880584

C

B

A

880584

C

C

B

A

DO NOT SCALE
 DIMENSIONS IN mm

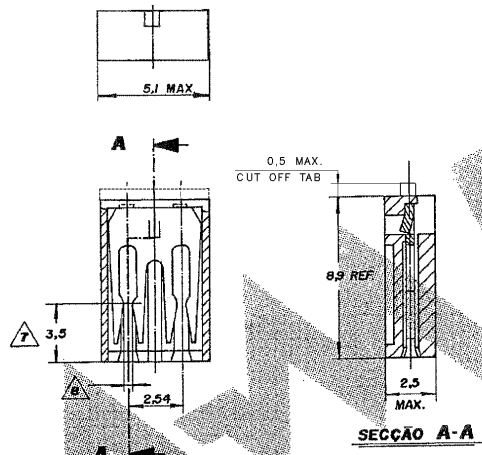
METRIC

3rd ANGLE PROJECTION

10 MATERIAL: HOUSING: THERMOPLASTICO C/ FIBRA DE VIDRO V-2 COR: VERDE
 CONTATO: BRONZE FOSFOROSO

MATERIAL: HOUSING: THERMOPLASTIC WITH GLASS FIBER V-2 COLOR: GREEN
 CONTACT: PHOSPHOROUS BRONZE

11 OBSOLETE PARTS: OBSOLETE CIS STREAMLINING PER D.RENAUD/D.SINISI



OBSOLETE	6				1	8
	5				2	7
	4				3	6
OBSOLETE	5				1-	-5
	6				1-	-4
	5				1-	-3
	3				1-	-2
	3				K1	1- 880584 - 1

OTHER TREATMENT	FINISH	MATERIAL	PART REV.	PART NUMBER
CUSTOMER DWG for REFERENCE ONLY				
TOLERANCES UNLESS OTHERWISE STATED DEC. 2 93 ANGLES 2 P		INS. DIA. RANGE	WIRE RANGE	SCALE
DR. <i>Expos</i> CHK. <i>Nell</i> DATE 09-MAR-01		TE Connectivity		
DESCRIPTION		AMP SHUNT CONNECTOR ASS'Y		
APP. <i>[Signature]</i>		A3	DWG NO C 880584	DR. EET 2 of 2