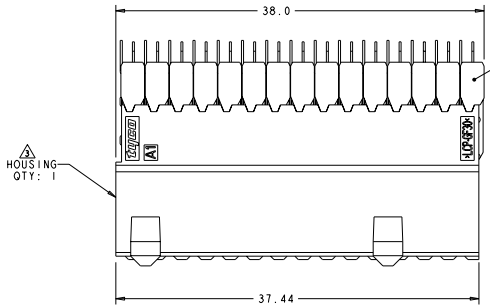
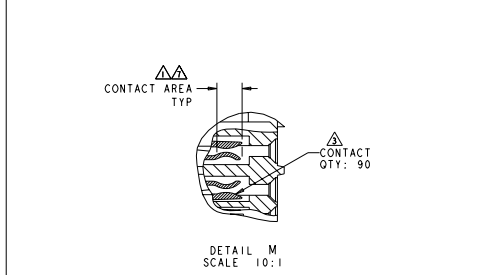
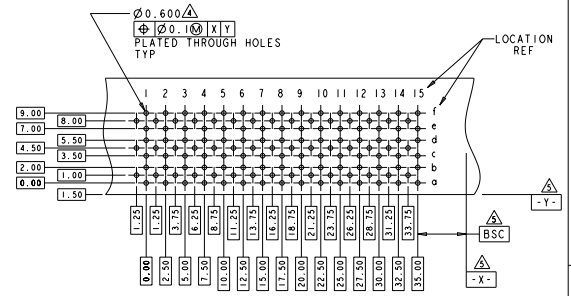
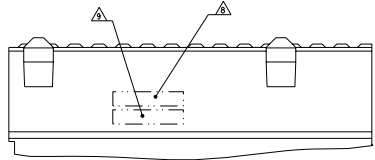
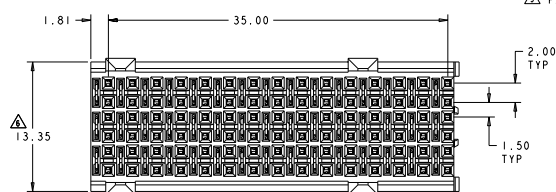
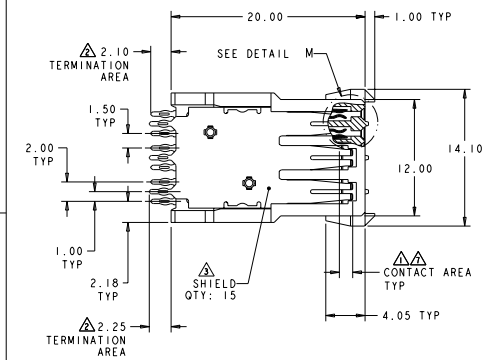


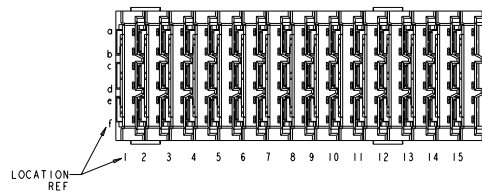
REV	DATE	DESCRIPTION	BY	CHK	APP
A	13/01/2011	REVISED PER ECO-11-013132			



- △ CONTACT MATING AREA MEETS THE PERFORMANCE REQUIREMENTS OF THE CONNECTIVITY PRODUCT SPECIFICATION 108-1957; BASED ON TELCORDIA GR-1217-CORE, APPLICATIONS IN UNCONTROLLED ENVIRONMENTS.
- △ 0.76µm MIN TIN-LEAD OVER 1.27µm MIN NICKEL
- △ MATERIAL:  
 CONTACT - COPPER ALLOY  
 SHIELD - PHOSPHOR BRONZE  
 HOUSING AND CHICKLET - GLASS FILLED POLYESTER
- △ REFERENCE APPLICATION SPEC 114-13020 FOR RECOMMENDED PLATED THRU HOLE DIAMETER AND PLATING THICKNESS
- △ DATUM AND BASIC DIMENSION ESTABLISHED BY CUSTOMER
- △ SEATING HEIGHT TO BOARD SURFACE
- △ CONTACT AREA LUBRICATED WITH BELLCORE APPROVED LUBRICANT  
 TECHNICAL REFERENCE: GR-1217-CORE, ISSUE 1, NOVEMBER 1995
- △ DATE CODE
- △ PART NUMBER



RECOMMENDED PRINTED CIRCUIT BOARD LAYOUT  
 COMPONENT SIDE OF PRINTED CIRCUIT BOARD  
 SCALE 4:1



120948-1  
 PART NUMBER

THIS DRAWING IS A CONTROLLED DOCUMENT.		ECO-11-013132		TE Connectivity	
DESIGNED BY: J. WILSON	DATE: 13/01/2011	PROJECT NO: 108-1957	RECEPTACLE ASSEMBLY, 6 ROW, 90 POSITION, VERTICAL, 2-PACK MS2		
DRAWN BY: J. WILSON	DATE: 13/01/2011	PRODUCTION DOC: 114-13020	SIZE: 5.00 X 10.00	REV: A	00779-120948
MATERIAL: SHIELD: CUSTOMER DRAWING	CONTACTS: CUSTOMER DRAWING	DATE CODE (DRAWING NO): 114-13020	REV: A	00779-120948	REVISED TO: 120948