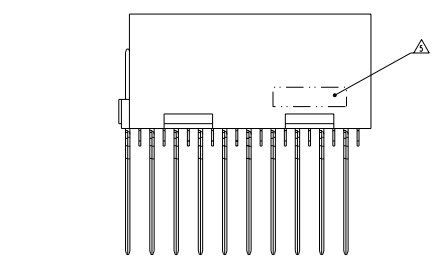
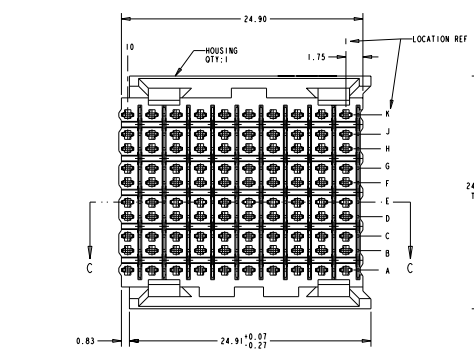
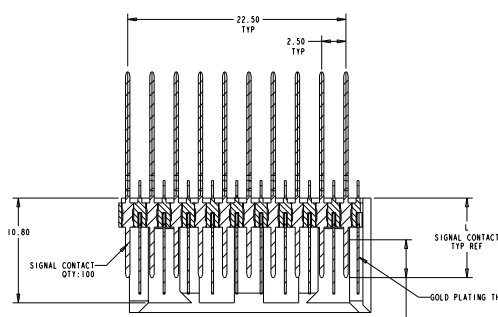
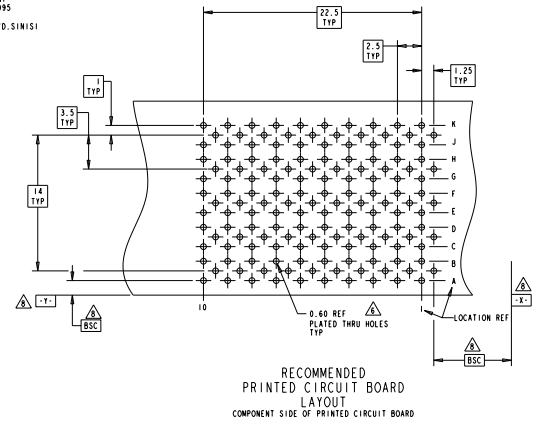
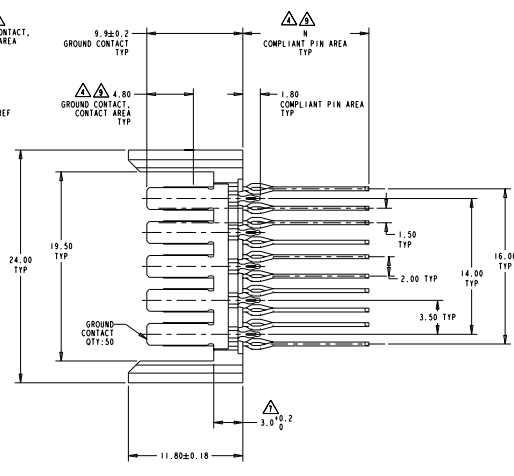


8	7	6	5	4	3	2	1
DATE REVISION TO IMPROVEMENTS	REVISION FOR PUBLICATION						
ALL RIGHTS RESERVED							

REV	DATE	DESCRIPTION	BY	CHK	APP
47					
N		REVISED PER ECO-11-013132	13.06.2011	DMR	MW



- ⚠ PHOSPHOR BRONZE
- ⚠ LCP, UL94V-0
- ⚠ CONTACT MATING AREA MEETS THE PERFORMANCE REQUIREMENTS OF TE CONNECTIVITY PRODUCT SPECIFICATION 100-1557, BASED ON TELCORDIA GR-1217-CORE, APPLICATIONS IN UNCONTROLLED ENVIRONMENTS.
- ⚠ CONNECTOR MARKED WITH PART NUMBER AND DATE CODE
- ⚠ REFERENCE APPLICATION SPEC 114-13020 FOR RECOMMENDED PLATED THRU HOLE DIAMETER AND PLATING THICKNESSES.
- ⚠ APPLICATION SEATING HEIGHT TO PRINTED CIRCUIT BOARD
- ⚠ DATINGS AND BASIC DIMENSIONS ESTABLISHED BY CUSTOMER
- ⚠ CONTACT AREA LUBRICATED WITH BELLECORD APPROVED LUBRICANT TECHNICAL REFERENCE: GR-1217-CORE, ISSUE 1, NOVEMBER 1995
- ⚠ OBSOLETE PARTS: OBSOLETE CIS STREAMLINING PER D.RENAUD/D.SINISI



⚠ OBSOLETE	14.50	5.30	9.7	120664-2
	13.00	3.90	8.2	120664-1
	N	M	L	PART NUMBER

THIS DRAWING IS A CONTROLLED DOCUMENT.

REV: 47

DATE: 13.06.2011

BY: DMR

CHK: MW

APP: MW

TE Connectivity

HEADER ASSEMBLY, 100 POSITION, 10 ROW, FEED THROUGH, BACKPLANE CONNECTOR, 2-PACK HS3

SCALE CODE: 1:1

ECO: 120664

CUSTOMER DRAWING