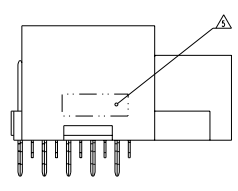
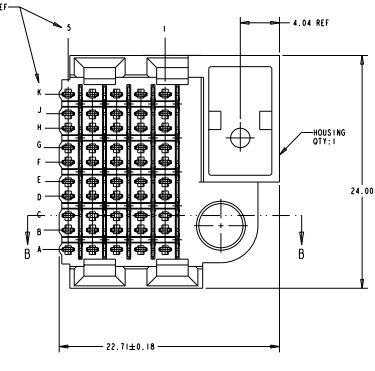
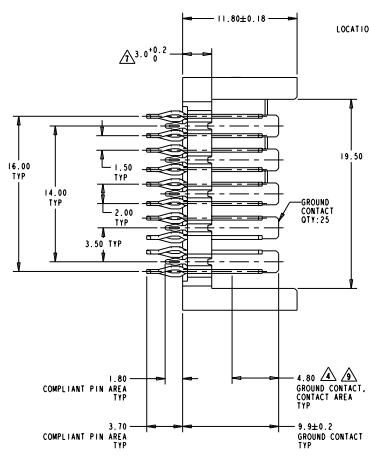
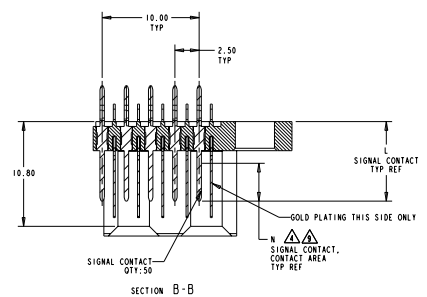
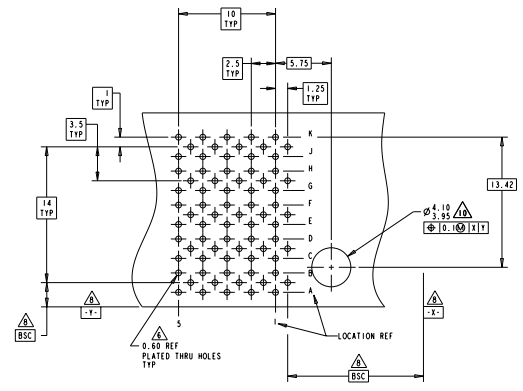


8	7	6	5	4	3	2	1
DATE MARKED TO IMPROVEMENTS	REVISIONS FOR PUBLICATION						
ALL RIGHTS RESERVED	ALL RIGHTS RESERVED						

REV	DATE	DESCRIPTION	BY	CHK	APP
AD	47	REVISED PER ECO-11-013132	13JUN2011	DMR	MM



- ▲ PHOSPHOR BRONZE
- ▲ LCP, UL94V-0
- ▲ CONTACT MATING AREA MEETS THE PERFORMANCE REQUIREMENTS OF THE CONNECTIVITY PRODUCT SPECIFICATION 108-1957; BASED ON TELCORDIA GR-1217-CORE, APPLICATIONS IN UNCONTROLLED ENVIRONMENTS.
- ▲ CONNECTOR MARKED WITH PART NUMBER AND DATE CODE
- ▲ REFERENCE APPLICATION SPEC 114-13020 FOR RECOMMENDED PLATED THRU HOLE DIAMETER AND PLATING THICKNESSES.
- ▲ APPLICATION SEATING HEIGHT TO PRINTED CIRCUIT BOARD
- ▲ DATUMS AND BASIC DIMENSIONS ESTABLISHED BY CUSTOMER
- ▲ LUBRICATE CONTACT AREA WITH BELLCORE APPROVED LUBRICANT TECHNICAL REFERENCE: GR-1217-CORE, ISSUE 1, NOVEMBER 1995
- ▲ HOLE DIAMETER SHOULD BE 3.10 WHEN USING FEED THROUGH GUIDE PIN P/N 120759 CLEARANCE FOR A M2.0 S THREAD



RECOMMENDED PRINTED CIRCUIT BOARD LAYOUT
COMPONENT SIDE OF PRINTED CIRCUIT BOARD

5.30	9.7	120662-2
3.90	8.2	120662-1
M	L	AMP PART NUMBER

THIS DRAWING IS A CONTROLLED DOCUMENT.

REVISED BY: DM ANDREWS	DATE: 23APR99	REVISED BY: DM ANDREWS	DATE: 23APR99
DESIGNED BY: DM ANDREWS	DATE: 23APR99	DESIGNED BY: DM ANDREWS	DATE: 23APR99
APPROVED BY: DM ANDREWS	DATE: 23APR99	APPROVED BY: DM ANDREWS	DATE: 23APR99

TE Connectivity
TE
 HEADER ASSEMBLY, 50 POSITION, LEFT HAND, 10 ROW, 2-PACK HS3
 STATE: CA CASE CODE: 00779 ©=120662
 CUSTOMER DRAWING