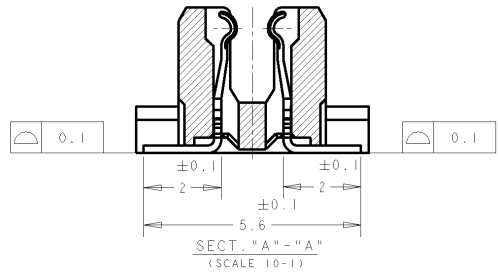
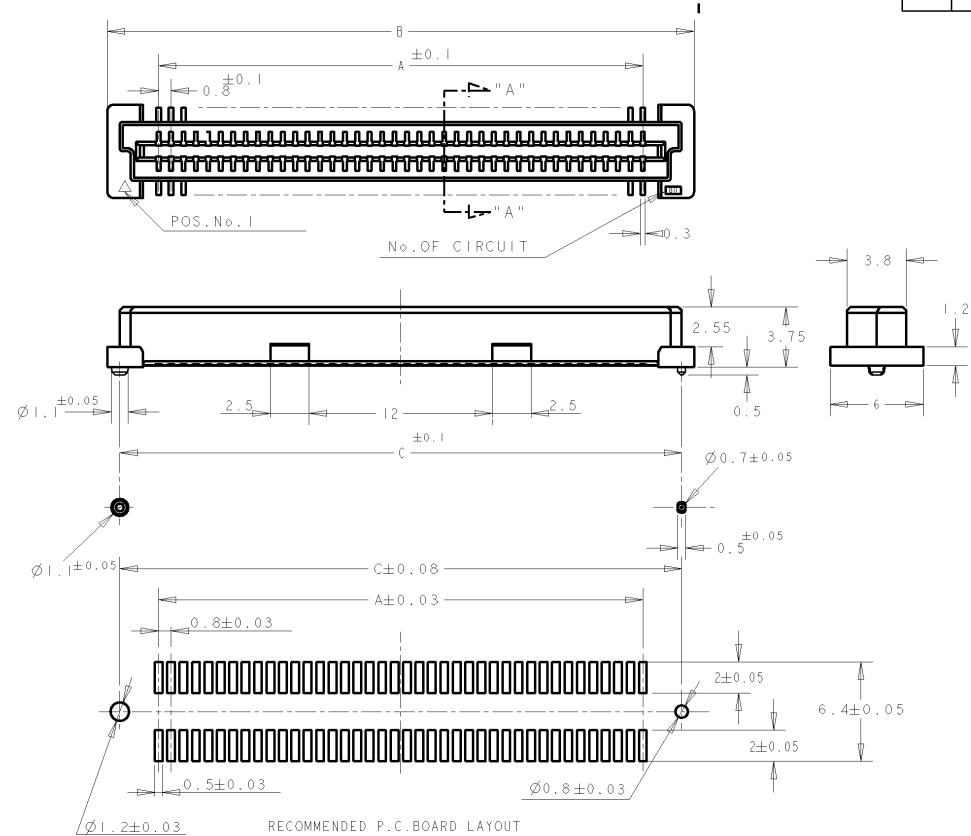


THIS DRAWING IS UNPUBLISHED. RELEASED FOR PUBLICATION
 COPYRIGHT 19 BY AMP INCORPORATED. ALL RIGHTS RESERVED.

LOC	DIST	REVISIONS			
F	LTR	DESCRIPTION	DATE	OWN	APVD
A1		REVISED PER ECR-06-029208	14DEC06	SYJ	LSF



- NOTES:
- MATERIAL: HOUSING: L.C.P. (HIGH TEMP. THERMOPLASTIC)
 UL 94V-0, NATURAL.
 CONTACT: BERYLLIUM COPPER.
 - FINISH: CONTACT AREA: 0.00076 MIN GOLD ON
 0.0013 MIN ALL-OVER NICKEL.
 SOLDERING AREA: 0.002 MIN MATTE-TIN.
 - 3. POSITION SERIES: SEE TABLE.
 - 4. CONN STACK HEIGHT COMBINE OF PLUG "Y" H VS REC "X" H.
 STACK HEIGHT = Y + X - 5

P/N SEE SHEET 2 OF 2

THIS DRAWING IS A CONTROLLED DOCUMENT FOR AMP INCORPORATED IT IS SUBJECT TO CHANGE AND THE CONTROLLING ENGINEERING ORGANIZATION SHOULD BE CONTACTED FOR THE LATEST REVISION.		DWN 16SEP04 FLORENCE TAN CHK ERIC TNG APVD SEIFONG NAME PRODUCT SPEC 108-5390 APPLICATION SPEC 114-5254 WEIGHT CUSTOMER DRAWING	Tyco Electronics (Singapore) Pte. Ltd. REC ASSY FOR FH 0.8BTB CONNECTOR 5H 0.5 BOSS LENGTH (0.76um GOLD) DRAWING NO C-6123000 SCALE 4:1 SHEET 1 OF 2 REV A1
DIMENSIONS: mm 	TOLERANCES UNLESS OTHERWISE SPECIFIED: 0 PLC ± 1 PLC ±0.30 2 PLC ±0.25 3 PLC ±0.20 4 PLC ± ANGLES ±° FINISH	SIZE A3 CAGE CODE 00779	

AMP 1470-19 REV 09MAY94
 P12/ENGINEER DRAWING

4

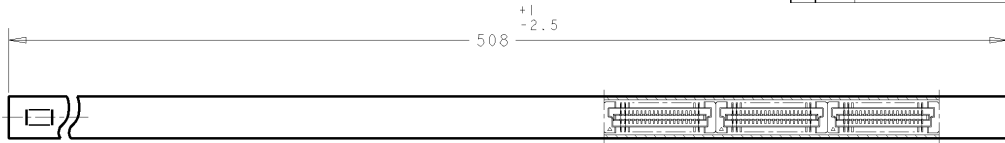
3

2

1

THIS DRAWING IS UNPUBLISHED. RELEASED FOR PUBLICATION
 BY AMP INCORPORATED. ALL RIGHTS RESERVED.

LOC	DIST	REVISIONS			
F	LTR	DESCRIPTION	DATE	OWN	APVD
DY	-	- SEE SHEET 1 OF 2	-	-	-

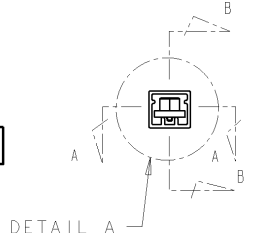


SECT A-A

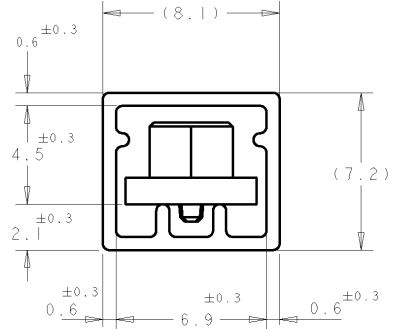


REFERENCE PICTURE OF TUBE PACK

SECT B-B



DETAIL A



DETAIL A

AVAILABLE	5	6	7	9	10	12	16	22	STATUS	QTY	C	B	A	POS.	CONN P/N
	84.2	76.2	68.2	52.2	44.2	36.2	28.2	20.2							
	85.8	77.8	69.8	53.8	45.8	37.8	29.8	21.8							
	79.2	71.2	63.2	47.2	39.2	31.2	23.2	15.2							
	200	180	160	140	100	80	60	40							6123000-1

<small>THIS DRAWING IS A CONTROLLED DOCUMENT FOR AMP INCORPORATED. IT IS SUBJECT TO CHANGE AND THE CONFORMING MANUFACTURING ORGANIZATION SHOULD BE CONTACTED FOR THE LATEST REVISION.</small>		DWN 16SLP04 FLORENCE TAN CHK ERIC TNG APVD SEI LIONG	Tyco Electronics (Singapore) Pte. Ltd.
DIMENSIONS: mm	TOLERANCES UNLESS OTHERWISE SPECIFIED: 0 PLC ± 1 PLC ±0.30 2 PLC ±0.25 3 PLC ±0.20 4 PLC ± ANGLES ±° FINISH -	NAME PRODUCT SPEC APPLICATION SPEC WEIGHT	REC ASSY FOR FH 0.8BTB CONNECTOR 5H 0.5 BOSS LENGTH (0.76um GOLD)
MATERIAL		114-5254 CUSTOMER DRAWING	SIZE A3 CAGE CODE 00779 DRAWING NO. C-6123000 SCALE 4:1 SHEET 2 OF 2 REV A1