

4

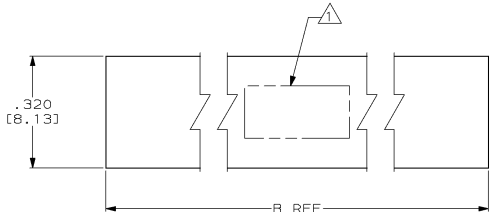
3

2

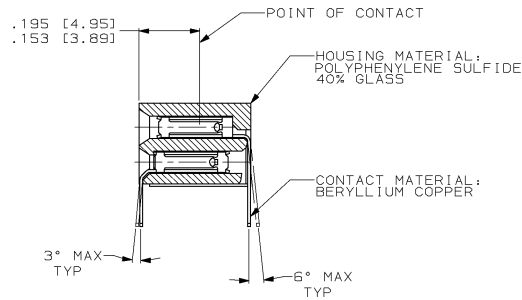
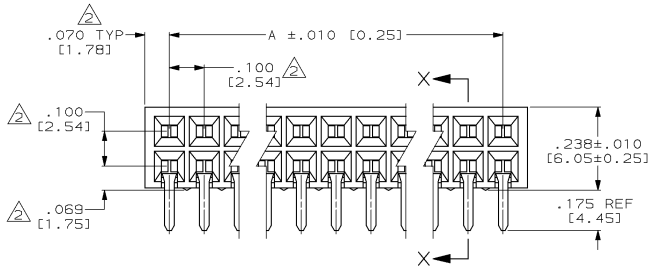
1

THIS DRAWING IS UNPUBLISHED.
 RELEASED FOR IDENTIFICATION
 BY AMP INCORPORATED. ALL RIGHTS RESERVED.

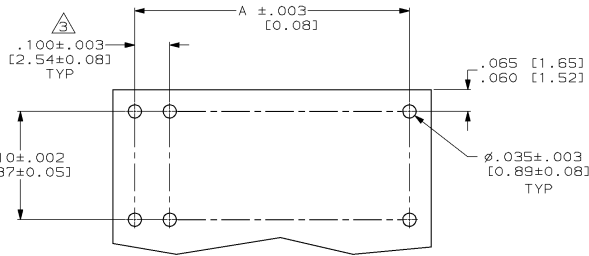
LOC	DF	ZO	REV	DESCRIPTION	DATE	OWN	APPD
			D	REV PER 0600-6036-96	10-97	CT	GA



- ⚠ MARK AMP, PART NUMBER, DATE CODE AND THE WORD FRONT PER 115-1105 IN APPROXIMATE AREA.
- ⚠ THESE DIMENSIONS PERTAIN TO CAVITY CENTERLINES ONLY, NOT TO CONTACT LOCATIONS.
- ⚠ TOLERANCE NON-CUMULATIVE.
- ⚠ GOLD FLASH OVER .000050 [0.00127] NICKEL ENTIRE CONTACT, .000030 [0.00076] GOLD ON CONTACT AREA.
- 5. ONE INSULATOR STRIP PACKAGED WITH EACH ASSEMBLY.
- 6. MARK "CSA" LOGO ON PART.



SECTION X-X



RECOMMENDED P.C. BOARD LAYOUT

	4.440 [112.78]	4.300 [109.22]	88	533012-3
	2.440 [61.98]	2.300 [58.42]	48	533012-2
OBsolete	.500 [12.70]	.500 [12.70]	22	533012-1

DIM B	DIM A	NO OF POSN	PART NUMBER
-------	-------	------------	-------------

THIS DRAWING IS A CONTROLLED DOCUMENT.		DATE: 5-21-96	AMP Incorporated Harrisburg, PA 17105-3608
DIMENSIONS: INCHES (mm)	DESIGNED BY: T. ALEXANDER	DATE: 11-9-96	AMP HOUSING ASSEMBLY, MOD 11, DBL ROW IN LINE, .100 x .100, SHORT POINT OF CONTACT
DIMENSIONS TOLERANCES UNLESS OTHERWISE SPECIFIED: 0 PLG ±.005 (0.13) 0 PLG ±.005 (0.13) 0 PLG ±.005 (0.13) 0 PLG ±.005 (0.13)	CHECKED BY: S. ALTEMOSE DATE: 11-9-96 NAME: S. ALTEMOSE PRODUCT SPEC: APPLICATION SPEC WEIGHT: - FINISH: -	DATE: 11-9-96 NAME: S. ALTEMOSE PRODUCT SPEC: APPLICATION SPEC WEIGHT: - FINISH: -	
MATERIAL: SEE CALLOUT	SCALE: A2	CAGE CODE: 00779	DRAWING NO: 533012
	CUSTOMER DRAWING	SCALE: 5:1	SHEET 1 OF 1 REV 0

533012