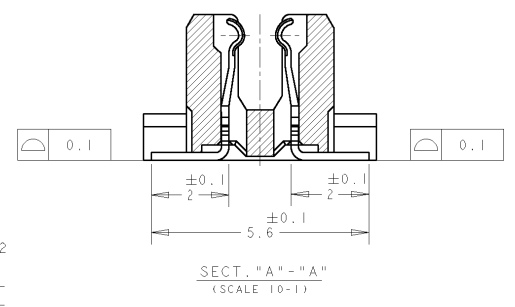
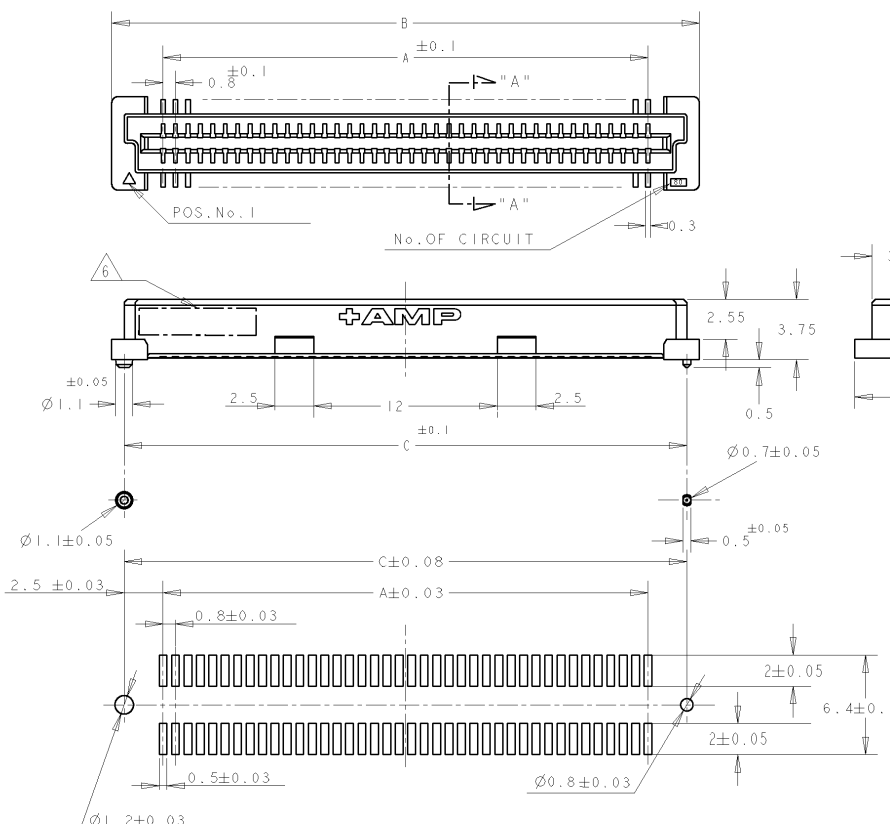


THIS DRAWING IS UNPUBLISHED. RELEASED FOR PUBLICATION
 BY - ALL RIGHTS RESERVED.

LOC	DIST	REVISIONS			
P	LTR	DESCRIPTION	DATE	DWN	APVD
B1		REVISED PER ECO-11-005139	19MAR11	RK	HMR



- NOTES:
- △ MATERIAL: HOUSING: L.C.P. (HIGH TEMP THERMOPLASTIC) UL 94V-0, NATURAL.
CONTACT: COPPER ALLOY.
 - △ FINISH: CONTACT AREA: 0.0002 MIN GOLD ON
0.0013 MIN ALL OVER NICKEL.
SOLDERING AREA: 0.002 MIN MATTE TIN.
 - 3. POSITION SERIES: SEE TABLE.
 - 4. CONN STACK HEIGHT COMBINE OF PLUG "Y" H VS REC "X" H.
STACK HEIGHT = Y + X - 5
 - △ FINISH: CONTACT AREA: 0.00038 MIN GOLD ON
0.0013 MIN ALL OVER NICKEL.
SOLDERING AREA: 0.002 MIN MATTE TIN.
 - △ DATE CODE MARKING.

P/N SEE SHEET 2 OF 2.

DIMENSIONS: mm		TOLERANCES UNLESS OTHERWISE SPECIFIED:		DWN SK LEAW 17MAY2004		STE TE Connectivity	
0 PLC ±		1 PLC ±0.3		CHK ERIC TNG			
1 PLC ±0.3		2 PLC ±0.25		APVD SF LEONG		NAME RECEPTACLE ASSEMBLY 5H TYPE (0.5 BOSS LENGTH) FOR FH0.8MM PITCH B-T-B CONNECTOR	
2 PLC ±0.25		3 PLC ±0.2		PRODUCT SPEC 108-5390		SIZE A3	
3 PLC ±0.2		4 PLC ±		APPLICATION SPEC 114-5254		CAGE CODE 00779	
4 PLC ±		ANGLES ±°		WEIGHT -		DRAWING NO C-5177983	
MATERIAL △		FINISH SEE P/N TABLE		CUSTOMER DRAWING		SCALE 4:1 SHEET 1 of 2 REV B1	

AMP 1470-19 REV 09MAY94

4

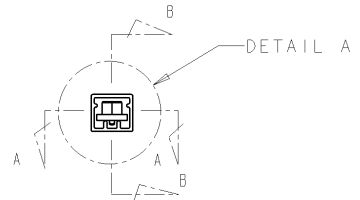
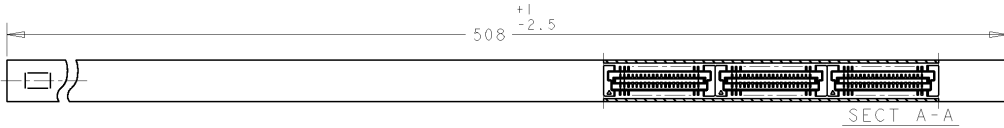
3

2

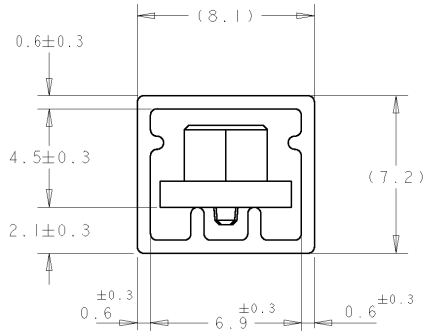
1

THIS DRAWING IS UNPUBLISHED. RELEASED FOR PUBLICATION
 COPYRIGHT - BY - ALL RIGHTS RESERVED.

LOC	DIST	REVISIONS			
P	LTR	DESCRIPTION	DATE	DWN	APVD
DY	-	SEE SHEET 1 OF 2	-	-	-



REFERENCE PICTURE OF TUBE PACK



5	5	84.2	85.8	79.2	200	2-	▲	-0
	6	76.2	77.8	71.2	180	1-		-9
	6	68.2	69.8	63.2	160	1-		-8
	7	60.2	61.8	55.2	120	1-		-6
	9	52.2	53.8	47.2	120	1-		-5
	10	44.2	45.8	39.2	100	1-		-4
2	12	36.2	37.8	31.2	80	1-		-3
	16	28.2	29.8	23.2	60	1-		-2
	22	20.2	21.8	15.2	40	1-		-1
	5	84.2	85.8	79.2	200	1-		-0
	6	76.2	77.8	71.2	180			-9
	6	68.2	69.8	63.2	160			-8
2	7	60.2	61.8	55.2	140			-6
	9	52.2	53.8	47.2	120			-5
	10	44.2	45.8	39.2	100			-4
	12	36.2	37.8	31.2	80			-3
	16	28.2	29.8	23.2	60			-2
	22	20.2	21.8	15.2	40			5177983-1
FINISH	QTY	C	B	A	POS	CONN	P/N	

DIMENSIONS: mm		TOLERANCES UNLESS OTHERWISE SPECIFIED:		DWN SK LEAW 17MAY2004		TE Connectivity	
0 PLC ±		1 PLC ±0.3		CHK ERIC TNG		NAME RECEPTACLE ASSEMBLY 5H TYPE	
2 PLC ±0.25		3 PLC ±0.2		APVD SF LEONG		(0.5 BOSS LENGTH) FOR FH0.8MM PITCH	
4 PLC ±		ANGLES ±°		PRODUCT SPEC 108-5390		B-T-B CONNECTOR	
MATERIAL		FINISH		APPLICATION SPEC 114-5254		SIZE A3	
SEE NOTE 1		SEE P/N TABLE		WEIGHT		CAGE CODE 00779	
				CUSTOMER DRAWING		DRAWING NO. 5177983	
						SCALE - SHEET 2 of 2 REV B1	