

4

3

2

1

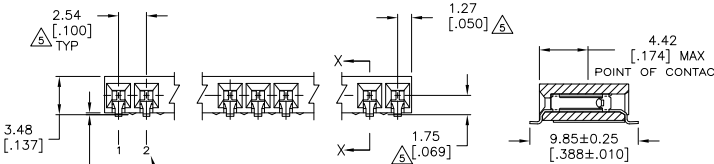
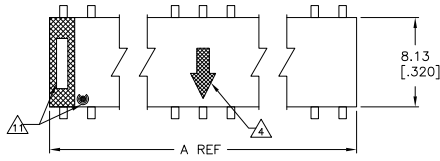
THIS DRAWING IS UNPUBLISHED. RELEASED FOR PUBLICATION.  
 BY TYCO ELECTRONICS CORPORATION. ALL INTERNATIONAL RIGHTS RESERVED.

LOC	DIST	REVISIONS		DATE	BY	APPD
F	LNK	DESCRIPTION				
AD	00	A4	REVISED PER ECO-10-026022	29DEC10	HMR	JO

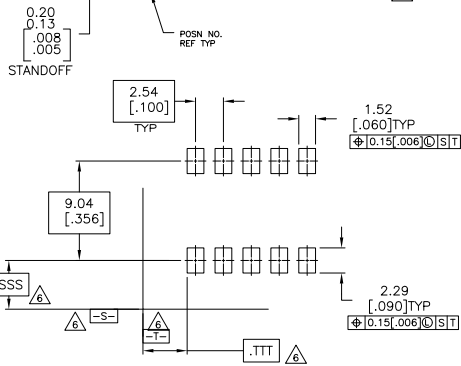
- 1 HOUSING: GLASS FILLED POLYESTER, PCT, COLOR: BLACK
- 2 CONTACT: PHOSPHOR BRONZE
- 3 CONTACT FINISH: 3.81-7.62 (.000150-.000300) MATTE TIN ALL OVER  
0.00127(.000050) MIN NICKEL ENTIRE CONTACT
- 4 MOLDED IN ARROW DESIGNATES MATING FACE OF CONNECTOR
- 5 DIMENSIONS PERTAINS TO CAVITY CENTERLINES
- 6 DATUMS AND BASIC DIMENSIONS ARE ESTABLISHED BY THE CUSTOMER
- 7 PRE-PRODUCTION-PRELIMINARY PARTS
- 8 NO PART NUMBER MARKING REQUIRED FOR THIS PART
- 9 ROHS 2002/95/EC COMPLIANT

- 10 OBSOLETE PARTS: OBSOLETE CIS STREAMLINING PER D.RENAUD/D.SINISI
- 11 TE LOGO AND CSA LOGO ARE MOLDED INTO HOUSING, THIS LOCATION.

101.60	[4.000]	40	-3-5147733-9
99.06	[3.900]	39	-3-5147733-8
96.52	[3.800]	38	-3-5147733-7
93.98	[3.700]	37	-3-5147733-6
91.44	[3.600]	36	-3-5147733-5
88.90	[3.500]	35	-3-5147733-4
86.36	[3.400]	34	-3-5147733-3
83.82	[3.300]	33	-3-5147733-2
81.28	[3.200]	32	-3-5147733-1
78.74	[3.100]	31	-3-5147733-0
76.20	[3.000]	30	-2-5147733-9
73.66	[2.900]	29	-2-5147733-8
71.12	[2.800]	28	-2-5147733-7
68.58	[2.700]	27	-2-5147733-6
66.04	[2.600]	26	-2-5147733-5
63.50	[2.500]	25	-2-5147733-4
60.96	[2.400]	24	-2-5147733-3
58.42	[2.300]	23	-2-5147733-2
55.88	[2.200]	22	-2-5147733-1
53.34	[2.100]	21	-2-5147733-0
50.80	[2.000]	20	-1-5147733-9
48.26	[1.900]	19	-1-5147733-8
45.72	[1.800]	18	-1-5147733-7
43.18	[1.700]	17	-1-5147733-6
40.64	[1.600]	16	-1-5147733-5
38.10	[1.500]	15	-1-5147733-4
35.56	[1.400]	14	-1-5147733-3
33.02	[1.300]	13	-1-5147733-2
30.48	[1.200]	12	-1-5147733-1
27.94	[1.100]	11	-1-5147733-0
25.40	[1.000]	10	-5147733-9
22.86	[.900]	9	-5147733-8
20.32	[.800]	8	-5147733-7
17.78	[.700]	7	-5147733-6
15.24	[.600]	6	-5147733-5
10.16	[.500]	5	5147733-4
10.16	[.400]	4	5147733-3
7.62	[.300]	3	5147733-2
5.08	[.200]	2	5147733-1



SECTION X-X



RECOMMENDED PC BOARD LAYOUT

165.10	[6.500]	65	6-5147733-4
162.56	[6.400]	64	6-5147733-3
160.02	[6.300]	63	6-5147733-2
157.48	[6.200]	62	6-5147733-1
152.94	[6.100]	61	6-5147733-0
152.40	[6.000]	60	5-5147733-9
149.86	[5.900]	59	5-5147733-8
147.32	[5.800]	58	5-5147733-7
144.78	[5.700]	57	5-5147733-6
147.32	[5.600]	56	5-5147733-5
139.70	[5.500]	55	5-5147733-4
137.16	[5.400]	54	5-5147733-3
134.62	[5.300]	53	5-5147733-2
132.08	[5.200]	52	5-5147733-1
129.54	[5.100]	51	5-5147733-0
127.00	[5.000]	50	4-5147733-9
124.46	[4.900]	49	4-5147733-8
121.92	[4.800]	48	4-5147733-7
119.38	[4.700]	47	4-5147733-6
116.84	[4.600]	46	4-5147733-5
114.30	[4.500]	45	4-5147733-4
111.76	[4.400]	44	4-5147733-3
109.22	[4.300]	43	4-5147733-2
106.68	[4.200]	42	4-5147733-1
104.14	[4.100]	41	4-5147733-0

A	NO OF POSN	PART NUMBER
---	------------	-------------

A	NO OF POSN	PART NUMBER
---	------------	-------------

THIS DRAWING IS A CONTROLLED DOCUMENT.

DIMENSIONS	TOLERANCES UNLESS OTHERWISE SPECIFIED	MATERIAL	FINISH			
mm [INCHES]	0 P.L.C. ± .05	1 P.L.C. ± .02	2 P.L.C. ± .01	3 P.L.C. ± .005	4 P.L.C. ± .002	ANGLES ± .5
		1 2	3			

DIM: TONOV4  
 DES: -  
 CHK: -  
 DATE: -  
 NAME: Tyco Electronics  
 Tyco Electronics Corporation  
 Harrisburg, PA 17105-3608  
 PRODUCT SPEC: -  
 APPLICATION SPEC: -  
 WEIGHT: -  
 SIZE: A2  
 ONE CODE: 00779  
 DRAWING NO: C=5147733  
 RESTRICTED TO: -  
 CUSTOMER DRAWING  
 SCALE: 5:1 SHEET: 1 of 1 REV: A4

5147733

A