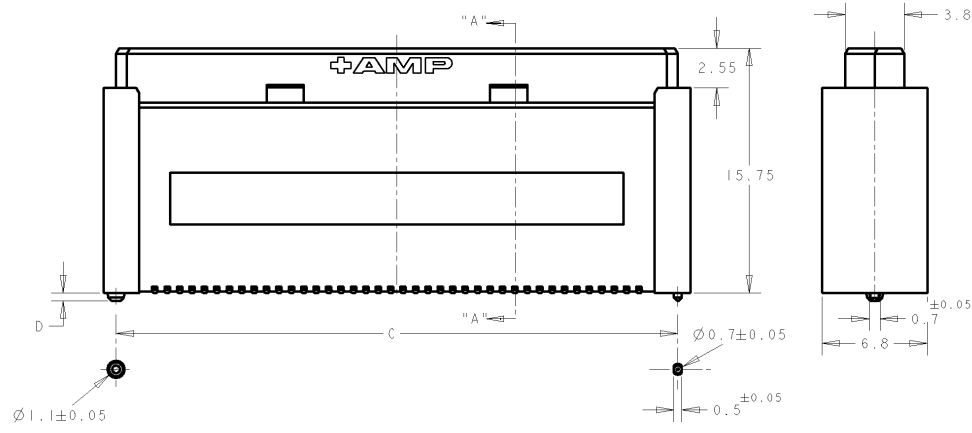
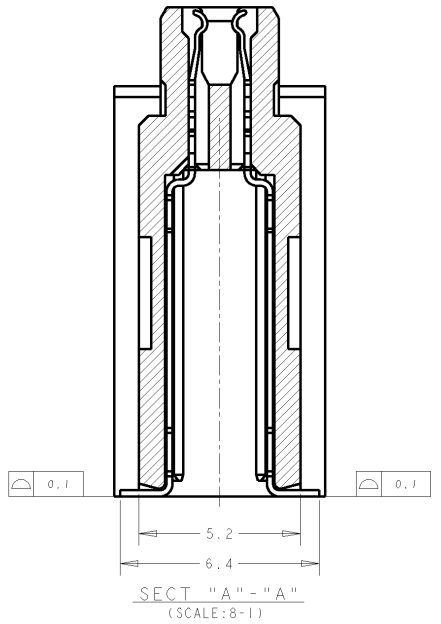
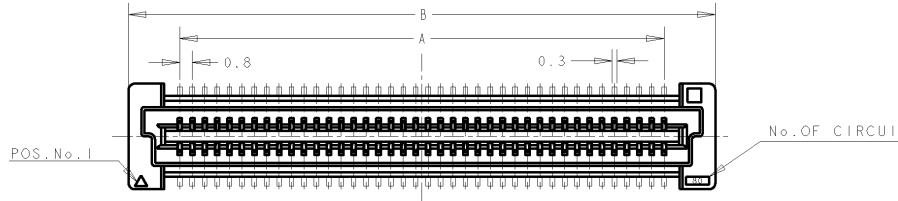


THIS DRAWING IS UNPUBLISHED.		RELEASED FOR PUBLICATION		REVISONS	
COPYRIGHT BY ALL RIGHTS RESERVED.		LOC	DIST	F	LTR
		DY	-	DESCRIPTION	
				DATE	OWN
				19MAR11	RK
				APVD	
				HMR	
				A2 REVISED PER ECO-11-005139	



DIMENSIONS:		TOLERANCES UNLESS OTHERWISE SPECIFIED:		DWN WYLEE 10JUL2007		STE TE Connectivity	
mm				CHK YJ SEE			
		0 PLC ±		APVD SF LEONG		NAME	
		1 PLC ±0.30		PRODUCT SPEC		RECEPTACLE 17mm HEIGHT	
		2 PLC ±0.25		APPLICATION SPEC		FH 0.8mm PITCH B-T-B CONNECTOR	
		3 PLC ±0.20		114-5254		IN TUBE	
4 PLC ±		FINISH		SIZE		CAGE CODE	
MATERIAL		FINISH		WEIGHT		DRAWING NO	
△		△		-		A3 00779 C-1735480	
CUSTOMER DRAWING				SCALE		SHEET	
				4:1		1 of 3	
						REV A2	

AMP 1470-19 REV 09MAT94
P10/ENGINEER DRAWING

4

3

2

1

THIS DRAWING IS UNPUBLISHED.

RELEASED FOR PUBLICATION

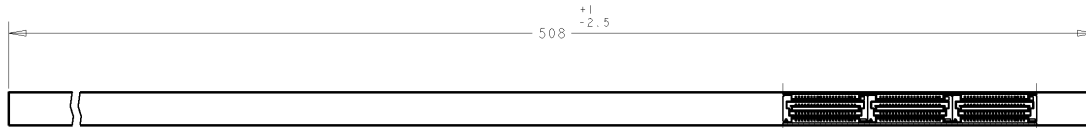
.19

© COPYRIGHT - BY - ALL RIGHTS RESERVED.

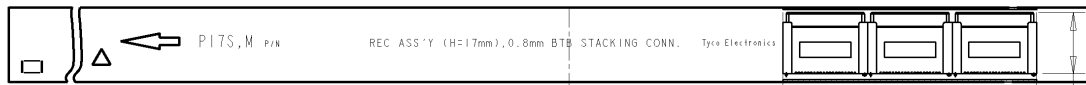
LOC: DY DIST: -

REVISIONS

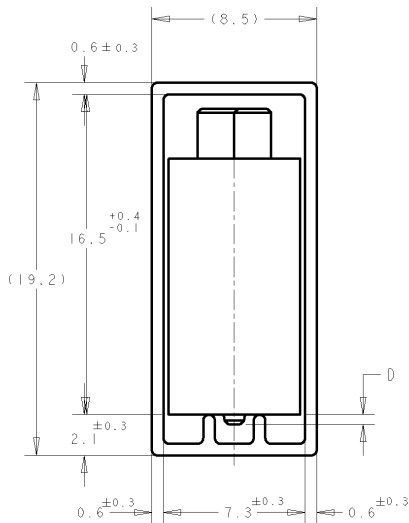
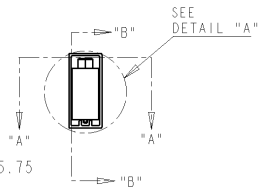
DESCRIPTION	DATE	OWN	APVD
SEE SHEET 1			



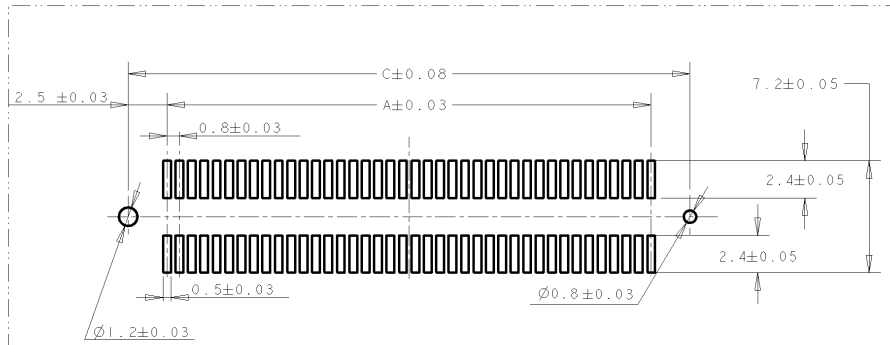
SECT "A" - "A"



SECT "B" - "B"



DETAIL "A" (SCALE 5-1)



RECOMMENDED P.C. BOARD LAYOUT

DIMENSIONS: mm 		TOLERANCES UNLESS OTHERWISE SPECIFIED: 0 PLC ± 1 PLC ±0.30 2 PLC ±0.25 3 PLC ±0.20 4 PLC ± ANGLES ±°		DWN: WYLEE 10JUL2007 CHK: YJ SEE APVD: SE LEONG PRODUCT SPEC: SEE SHEET 1 APPLICATION SPEC: SEE SHEET 1		TE Connectivity NAME: RECEPTACLE 17mm HEIGHT FH 0.8mm PITCH B-T-B CONNECTOR IN TUBE	
MATERIAL:		FINISH:		SIZE: A3	CAGE CODE: 00779	DRAWING NO: 1735480	
CUSTOMER DRAWING				SCALE: 4:1	SHEET: 2	OF: 3	REV: A2

AMP 1470-19 REV 09M194

4

3

2

1

THIS DRAWING IS UNPUBLISHED. RELEASED FOR PUBLICATION 19
 COPYRIGHT - BY - ALL RIGHTS RESERVED.

LOC	DIST	REVISIONS			
F	LTR	DESCRIPTION	DATE	OWN	APVD
DY	-	SEE SHEET 1			

REMARKS	CONTACT PLATING	D	C	B	A	POS.	PART No.	30 u" Au - Sn	2	1	AVAILABLE (0.5mm BOSS LENGTH)	
											84.20	85.80
											84.20	85.80
											76.20	77.80
											68.20	69.80
											64.20	65.80
											60.20	61.80
											52.20	53.80
											44.20	45.80
											36.20	37.80
											28.20	29.80
											20.20	21.80
											84.20	85.80
											76.20	77.80
											68.20	69.80
											64.20	65.80
											60.20	61.80
											52.20	53.80
											44.20	45.80
											36.20	37.80
											28.20	29.80
											20.20	21.80
											84.20	85.80
											76.20	77.80
											68.20	69.80
											64.20	65.80
											60.20	61.80
											52.20	53.80
											44.20	45.80
											36.20	37.80
											28.20	29.80
											20.20	21.80
											84.20	85.80
											76.20	77.80
											68.20	69.80
											64.20	65.80
											60.20	61.80
											52.20	53.80
											44.20	45.80
											36.20	37.80
											28.20	29.80
											20.20	21.80
											84.20	85.80
											76.20	77.80
											68.20	69.80
											64.20	65.80
											60.20	61.80
											52.20	53.80
											44.20	45.80
											36.20	37.80
											28.20	29.80
											20.20	21.80
											84.20	85.80
											76.20	77.80
											68.20	69.80
											64.20	65.80
											60.20	61.80
											52.20	53.80
											44.20	45.80
											36.20	37.80
											28.20	29.80
											20.20	21.80
											84.20	85.80
											76.20	77.80
											68.20	69.80
											64.20	65.80
											60.20	61.80
											52.20	53.80
											44.20	45.80
											36.20	37.80
											28.20	29.80
											20.20	21.80

NOTES:

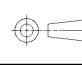

1 MATERIAL: HOUSING: L.C.P. (HIGH TEMP THERMO-PLASTIC)
 UL 94V-0, NATURAL.
 CONTACT: COPPER ALLOY

2 FINISH:
 ENGAGEMENT AREA: 0.0002 MIN GOLD
 SOLDERING AREA: 0.002 MIN MATTE TIN
 UNDERCOAT: 0.0013 MIN NICKEL ALL OVER.

3 FINISH:
 ENGAGEMENT AREA: 0.00076 MIN GOLD
 SOLDERING AREA: 0.002 MIN MATTE TIN
 UNDERCOAT: 0.0013 MIN NICKEL ALL OVER.

4. SEE SERIES TABLE FOR PART NUMBERS

5. CONNECTOR MATED STACKED HEIGHT IS COMBINATION OF PLUG HEIGHT "Y" AND REC HEIGHT "X", LESS 5 mm.
 STACKED HEIGHT = Y + X - 5

DIMENSIONS: mm 	TOLERANCES UNLESS OTHERWISE SPECIFIED: 0 PLC ± 1 PLC ±0.30 2 PLC ±0.25 3 PLC ±0.20 4 PLC ± ANGLES ±3° FINISH	DWN WYLEE 10JUL2007 CHK YJ SEE APVD SF LEONG	 TE Connectivity	
		PRODUCT SPEC SEE SHEET 1 APPLICATION SPEC SEE SHEET 1	NAME RECEPTACLE 17mm HEIGHT FH 0.8mm PITCH B-T-B CONNECTOR IN TUBE	SIZE A3
MATERIAL		WEIGHT -	CUSTOMER DRAWING	SCALE 4:1 SHEET 3 OF 3 REV A2

AMP 1410-19 REV 09M194