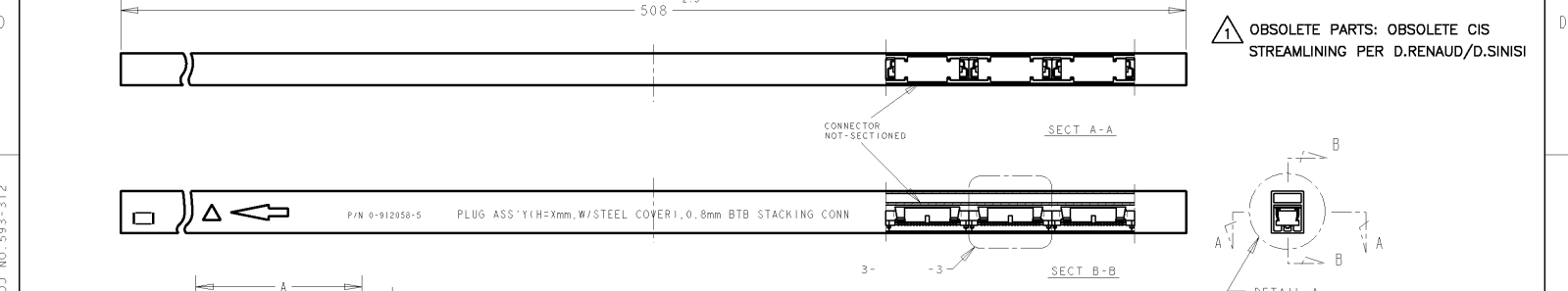
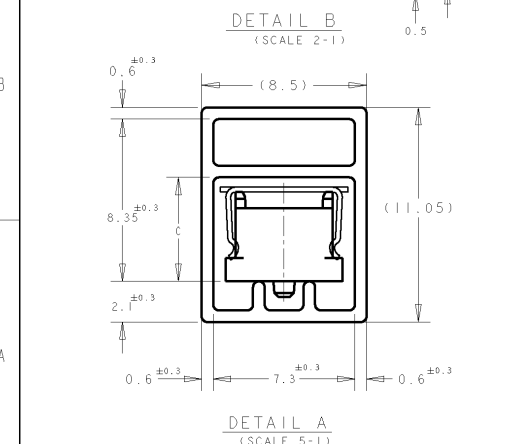
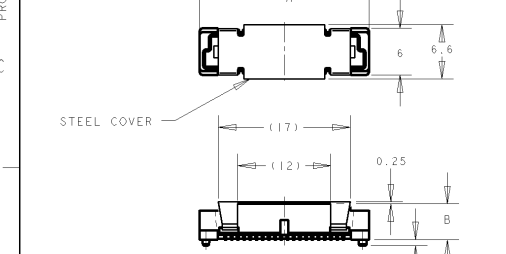


LOC	DIST	REVISONS					
BY	-	F	LTR	DESCRIPTION	DATE	OWN	APVD
		P		REVISED PER ECO-11-005139	19MAR11	RK	HMR



**⚠** OBSOLETE PARTS: OBSOLETE CIS  
STREAMLINING PER D.RENAUD/D.SINISI



5					85.8	1-	-0	200	7-	-0	5					85.8	1-	-0	200	3-	-0
6					77.8		-9	180	6-	-9	6					77.8		-9	180	2-	-9
6					69.8		-8	160	⚠	←	6					69.8		-8	160	2-	-8
7					61.8		-6	140	6-	-6	7					61.8		-6	140	⚠	←
9					53.8		-5	120	6-	-5	9					53.8		-5	120	⚠	←
10					45.8		-4	100	6-	-4	10					45.8		-4	100	2-	-4
12					37.8		-3	80	⚠	←	12					37.8		-3	80	2-	-3
16					29.8		-2	60	⚠	←	16					29.8		-2	60	⚠	←
22	8H	8.35	7.6	21.8	5179031-1	40		⚠	←	5179230	22	6H	6.35	5.6	21.8	5179029-1	40		⚠	←	5179230
5					85.8	1-	-0	200	5-	-0	5					85.8	1-	-0	200	1-	-0
6					77.8		-9	180	4-	-9	6					77.8		-9	180		-9
6					69.8		-8	160	⚠	←	6					69.8		-8	160	⚠	←
7					61.8		-6	140	⚠	←	7					61.8		-6	140	⚠	←
9					53.8		-5	120	4-	-5	9					53.8		-5	120		-5
10					45.8		-4	100	⚠	←	10					45.8		-4	100		-4
12					37.8		-3	80	⚠	←	12					37.8		-3	80		-3
16					29.8		-2	60	⚠	←	16					29.8		-2	60	⚠	←
22	7H	7.35	6.6	21.8	5179030-1	40		⚠	←	5179230	22	5H	5.35	4.6	21.8	517984-1	40		⚠	←	5179230
QTY	HEIGHT TYPE	C	B	A	CONN P/N	POS.	PART NO.	QTY	HEIGHT TYPE	C	B	A	CONN P/N	POS.	PART NO.						

DIMENSIONS: mm		TOLERANCES UNLESS OTHERWISE SPECIFIED:		DRAWN: FLORENCE TAN		03SEP04		<b>STE</b> TE Connectivity	
0 PLC ±		1 PLC ±0.20		CHK: ERIC TING		NAME: PLUG A'SSY WITH STEEL COVER (TUBE PACK)		FH 0.8mm PITCH B-T-B CONNECTOR	
2 PLC ±0.25		3 PLC ±0.30		APVD: SEIFONG		PRODUCT SPEC		SIZE: A3	
4 PLC ±		ANGLES ±°		APPLICATION SPEC		DRAWING NO: C-5179230		CAGE CODE: 00779	
MATERIAL		FINISH		WEIGHT		CUSTOMER DRAWING		SCALE: 1:1	
								SHEET 1 OF 1	