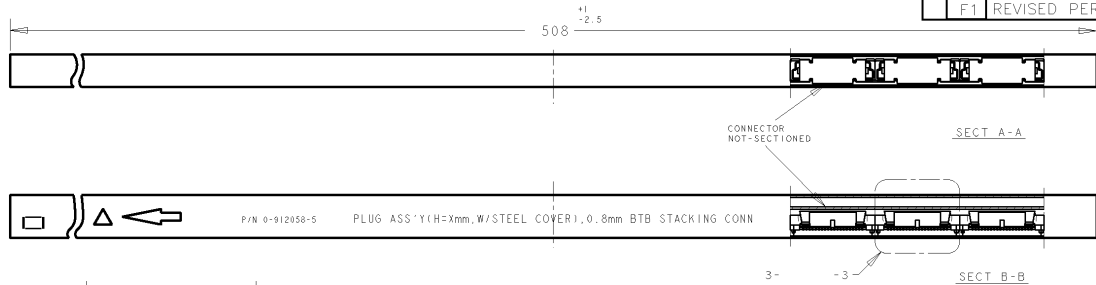


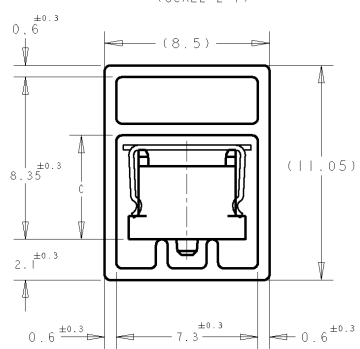
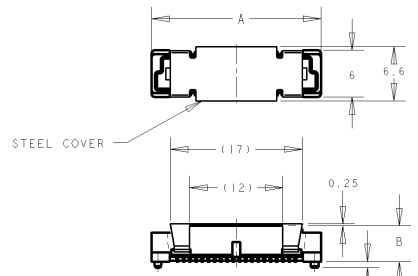
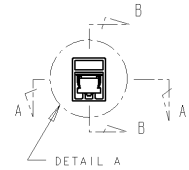
PROJ. NO. 593-312  
C  
B  
A

THIS DRAWING IS UNPUBLISHED. RELEASED FOR PUBLICATION. .19  
COPYRIGHT 19 BY AMP INCORPORATED. ALL RIGHTS RESERVED.

LOC	DY	DIST	-	REVISONS			
F	LTR	DESCRIPTION	DATE	OWN	APVD		
F		REVISED FP00-0199-03	17SEP93	LSK	ET		
F1		REVISED PER ECO-09-026346	26NOV09	KK	AEG		



NOTE:  
 △ THIS ITEM IS PRELIMINARY.  
 △ OBSOLETE PARTS: OBSOLETE CIS STREAMLINING PER D.RENAUD/D.SINISI



QTY	HEIGHT TYPE	C	B	A	CONN P/N	POS.	PART NO.	QTY	HEIGHT TYPE	C	B	A	CONN P/N	POS.	PART NO.							
5	△			85.8	1-	-0	200	7-	△			85.8	1-	-0	200							
6	△			77.8		-9	180	6-	△			77.8		-9	180							
6	△			69.8		-8	160	△	△			69.8		-8	160							
7	△			61.8		-6	140	6-	△			61.8		-6	140							
9	△			53.8		-5	120	△	△			53.8		-5	120							
10	△			45.8		-4	100	△	△			45.8		-4	100							
12	△			37.8		-3	80	△	△			37.8		-3	80							
16	△			29.8		-2	60	△	△			29.8		-2	60							
22	△	8H	8.35	7.6	21.8	179031-1	40	△	△	79230		22	△	6H	6.35	5.6	21.8	179029-1	40	△	△	79230
5	△			85.8	1-	-0	200	△	△			85.8	1-	-0	200							
6	△			77.8		-9	180	4-	△			77.8		-9	180							
6	△			69.8		-8	160	4-	△			69.8		-8	160							
7	△			61.8		-6	140	△	△			61.8		-6	140							
9	△			53.8		-5	120	4-	△			53.8		-5	120							
10	△			45.8		-4	100	△	△			45.8		-4	100							
12	△			37.8		-3	80	△	△			37.8		-3	80							
16	△			29.8		-2	60	△	△			29.8		-2	60							
22	△	7H	7.35	6.6	21.8	179030-1	40	4-	△	179230-1		22	△	5H	5.35	4.6	21.8	177984-1	40	△	△	79230

THIS DRAWING IS A CONTROLLED DOCUMENT FOR AMP INCORPORATED. IT IS SUBJECT TO CHANGE AND THE ORIGINAL DRAWING OR ORGANIZATION SHOULD BE CONTACTED FOR THE LATEST REVISION.

APVD	T. KUSUHARA	18FEB94
CHK	I. ENOMOTO	18FEB94
NAME	AMP MANUFACTURING (SINGAPORE) PTE. LTD.	
PRODUCT SPEC	PLUG A'SSY WITH STEEL COVER (TUBE PACK)	
APPLICATION SPEC	FH 0.8mm PITCH B-T-B CONNECTOR	
WEIGHT	SIZE	CAGE CODE
	A3	00779
CUSTOMER DRAWING	DRAWING NO	C-179230
	SCALE	1:1
	SHEET	1 OF 1
	REV	F1

AMP 1470-19 REV 09M194