

4

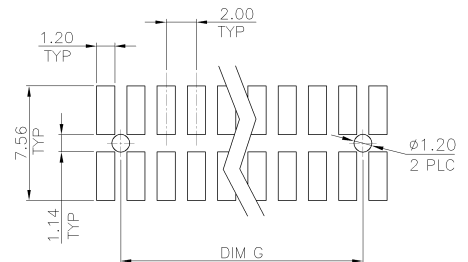
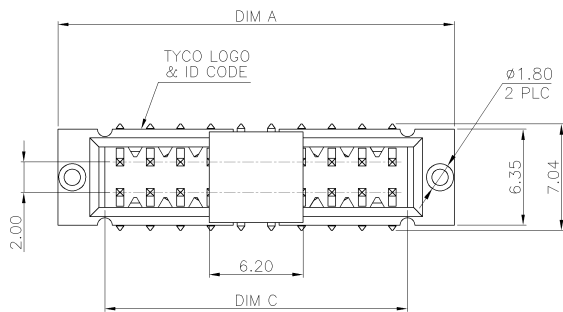
3

2

1

THIS DRAWING IS UNPUBLISHED. RELEASED FOR PUBLICATION
 © COPYRIGHT - BY TYCO ELECTRONICS CORPORATION. ALL RIGHTS RESERVED.

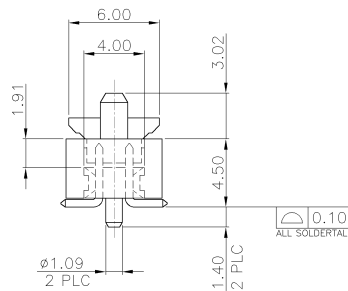
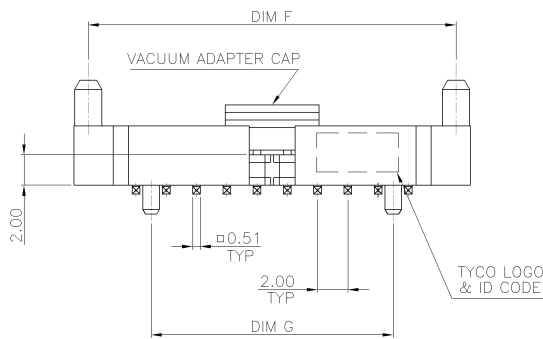
LOC	DIST	REVISIONS				
P	LTR	DESCRIPTION	DATE	DWN	APVD	
	A	ECR-07-018606, MANUFACTURING LOCATION CHANGED	17AUG07	OH	WK	



RECOMMENDED PCB LAYOUT
 TOLERANCE: ±0.05

NOTE:

- MATERIAL:
HOUSING: LCP WITH 30% GF, UL 94V-0, BLACK COLOR.
VACUUM ADAPTER CAP: PA6T WITH 30% GF, UL 94V-0, BLACK COLOR.
CONTACTS: PHOSPHOR BRONZE.
- FINISH:
CONTACTS: (SEE TABLE) GOLD PLATED ON CONTACT AREA.
2.54μm [100μ] MIN. TIN-CU ON SOLDER TAIL, WITH ENTIRE CONTACT UNDERPLATED 1.27μm [50μ] MIN. NICKEL.
- REFLOW SOLDER CAPABLE TO 260°C PER TE TEST SPEC.
109-201, CONDITION B.



WEIGHT	DIM G	DIM F	DIM C	DIM A	NO. OF CONTACTS	MIN. GOLD THICKNESS	PART NUMBER
1.3 g	26.0	34.3	30.0	36.2	30	30μ"	3-1734569-0
1.0 g	16.0	24.3	20.0	26.2	20	30μ"	2-1734569-0

DIMENSIONS:		TOLERANCES UNLESS OTHERWISE SPECIFIED:		DWN		O. HU		14AUG2007		S. HOU		14AUG2007		APVD		W. J. KE		14AUG2007					
MM				MM																			
0 PLC		±		0.10		ALL SOLDER TAILS																	
1 PLC		±0.5																					
2 PLC		±0.3																					
3 PLC		±0.2																					
4 PLC		±																					
ANGLES		±																					
MATERIAL		SEE NOTE		FINISH		SEE NOTE		PRODUCT SPEC		108-57328		QUALIFICATION TEST REPORT		501-57373		SIZE		CAGE CODE		DRAWING NO		RESTRICTED TO	
SEE NOTE								WEIGHT		SEE TABLE		A300779		C-1734569									
								CUSTOMER DRAWING				SCALE		—		SHEET		1 OF 2		REV		A	

4

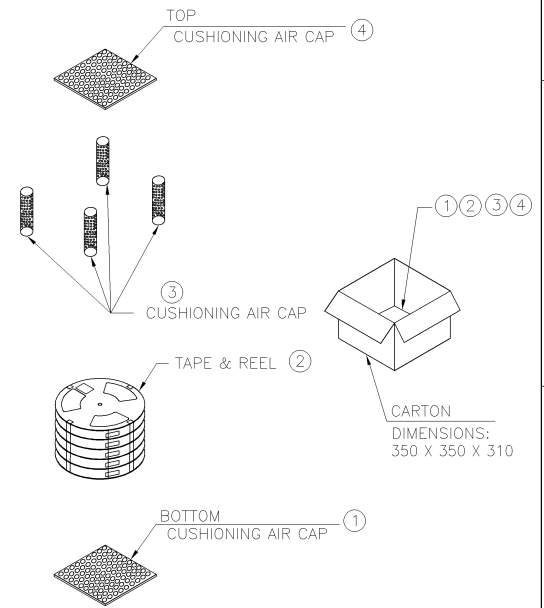
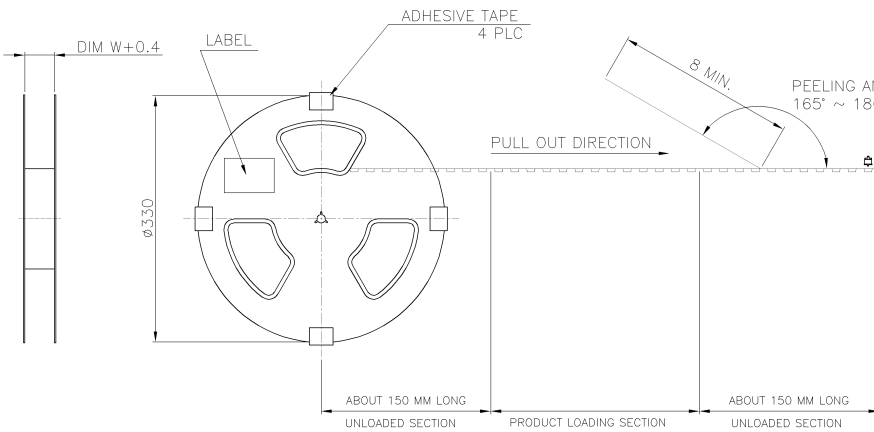
3

2

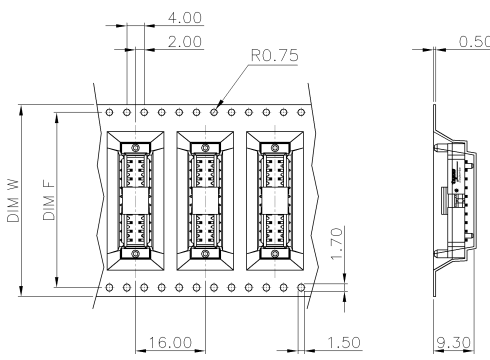
1

THIS DRAWING IS UNPUBLISHED. RELEASED FOR PUBLICATION
 © COPYRIGHT BY TYCO ELECTRONICS CORPORATION. ALL RIGHTS RESERVED.

LOC	DIST	REVISIONS			
P	LTR	DESCRIPTION	DATE	DWN	APVD
SEE SHEET 1.					



DIM W	DIM F	PCS/TAPE	REELS/CARTON	QUANTITY (PCS)	G/W (Kg)	N/W (Kg)	NO. OF CONTACTS
56.0	52.2	400	4	1600	4.95	2.13	30
44.0	40.2	400	4	1600	4.58	1.76	20



THIS DRAWING IS A CONTROLLED DOCUMENT.

DIMENSIONS:	TOLERANCES UNLESS OTHERWISE SPECIFIED:	DWN	O. HU	14AUG2007	Tyco Electronics Corporation Taipei, Taiwan	
MM		CHK	S. HOU	14AUG2007		
		APVD	W. J. KE	14AUG2007		
		NAME				
		PRODUCT SPEC	2.0 MM UNIVERSAL SHROUD HEADER, SMT TYPE			
MATERIAL	FINISH	APPLICATION SPEC				
		WEIGHT	SIZE	CAGE CODE	DRAWING NO	RESTRICTED TO
			A3	00779	C=1734569	
CUSTOMER DRAWING			SCALE	SHEET	2 OF 2	REV
						A