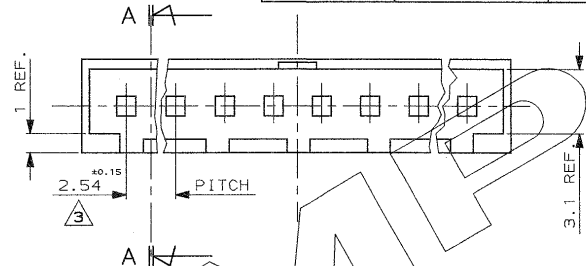
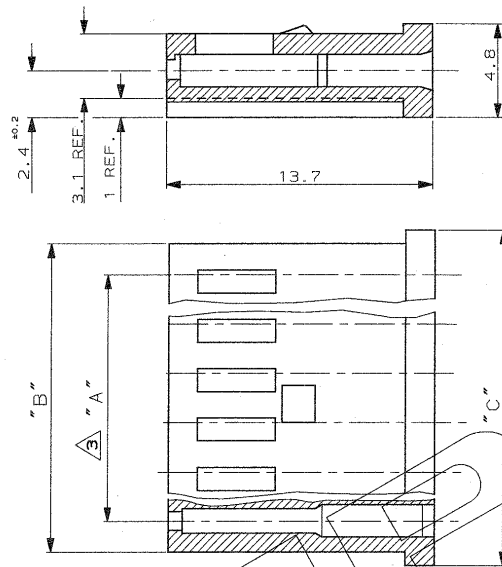


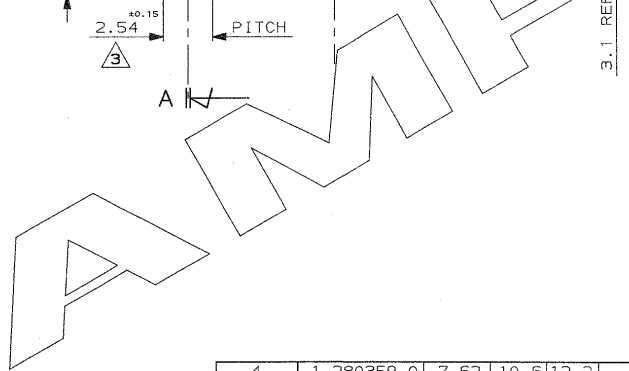
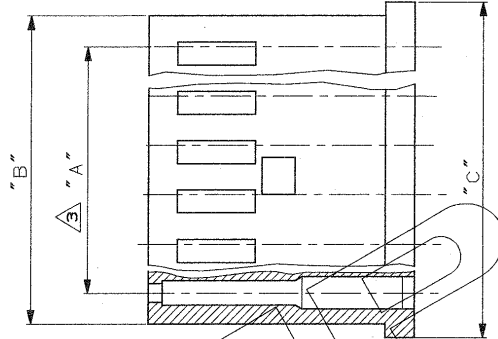
SEZ. A-A  
(SECT. A-A)



SCALA NON INFORMATIVA  
(DO NOT SCALE)  
DIMENSIONI IN mm

**METRIC**

PROIEZIONE EUROPEA  
(EUROPEAN PROJECTION)



4	1-280359-0	7.62	10.6	12.2	2
2	1-280358-0	2.54	5.6	7.1	
22	280364-0	53.34	56.4	57.9	A
15	280363-0	35.56	38.6	40.1	
12	280514-0	27.94	31	32.5	
10	280362-0	22.86	25.9	27.4	
9	280512-0	20.32	23.3	24.9	
8	280361-0	17.78	20.8	22.3	
6	280360-0	12.70	15.7	17.3	
4	280359-0	7.62	10.6	12.2	
2	280358-0	2.54	5.6	7.1	
N° POS.	PART NUMBER	DIM. "A"	DIM. "B"	DIM. "C"	MATERIAL (SEE NOTE)

- 1 NORYL, UL94 V1, COLORE NERO
- 2 NORYL SE-1 COLORE ROSSO
- 3 TOLLERANZA NON CUMULATIVA
- 1 NORYL, UL94 V1, BLACK COLOUR
- 2 NORYL SE-1 RED COLOUR
- 3 NON CUMULATIVE TOLERANCE

CUSTOMER DRAWING FOR REFERENCE ONLY | DISEGNO PER CLIENTE SOLO PER RIFERIMENTO

THIS DRAWING IS UNPUBLISHED | RELEASE FOR PUBLICATION

TOLLERANZE - SE NON DIVERSAMENTE SPECIFICATO (TOLERANCES, UNLESS OTHERWISE SPECIFIED)  
± 0.3  
ANGOLI (CAMELS) ± 2°



DIS. 11 APRIL '95 (DR.) C. PIA  
CONT. 11 APRIL '95 (CCHK) R. CANTORE  
DESCRIZIONE (DESCRIPTION) AMPMODU II REC. HSG SINGLE ROW, CRIMP ON-SNAP IN

Y2	REVISED PER ECO-11-005140	RK	APP. DATA (APP. DATE)	LOC. SIZE NUMERO (LGS. NO.)	REV. (REV.)	FOLIO (SHEET)
REV. (REV.)	REVISIONI (REVISION RECORD)	DIS. DATA (DR. DATE)	APP. DATA (APP. DATE)	I A3 C - 280358	Y2	1 DI COP. 1

DISTRIBUZIONE  
PRINT DIST.