

4

3

2

1

THIS DRAWING IS UNPUBLISHED.

RELEASED FOR PUBLICATION

COPYRIGHT BY ALL RIGHTS RESERVED.

LOC DIST  
DY -

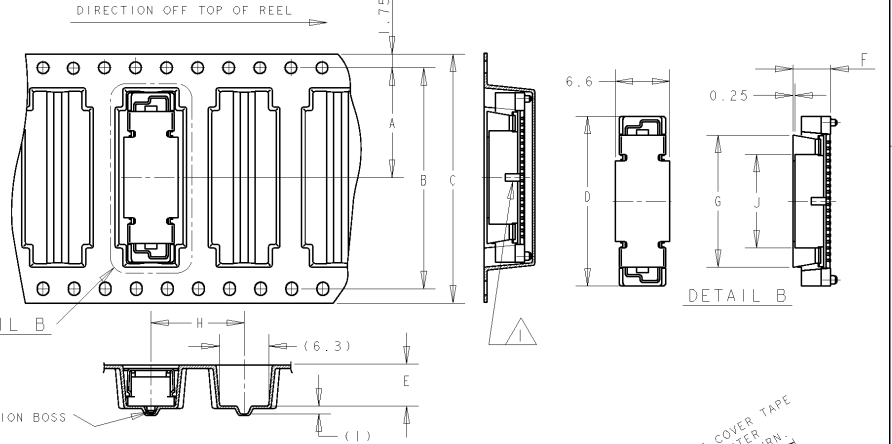
REVISIONS

P	LT/R	DESCRIPTION	DATE	DWN	APVD
E1		REVISED PER ECO-11-005139	19MAR11	RK	HMR

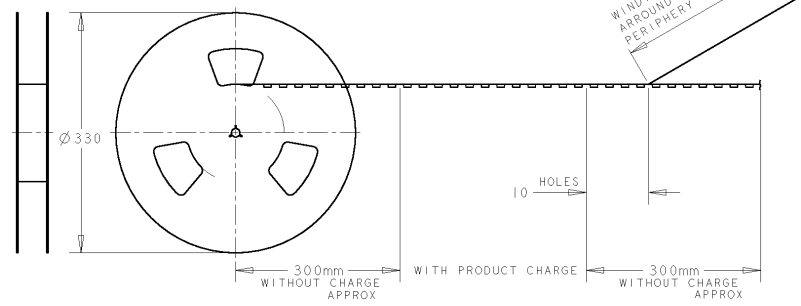
Notes:

- △ CUTOUT FEATURE AVAILABLE ONLY ON 5H ASSY P/N -1 (40P) AND -2 (60P).
- ② 0.00038 MIN GOLD PLATING (15u INCHES GOLD PLATING)

DIRECTION OFF TOP OF REEL



0.00076 MIN GOLD PLATING (30u INCHES GOLD PLATING)	0.00042 MIN GOLD PLATING (7.8u INCHES GOLD PLATING)
450 16 53.8 45.8 37.8 29.8	450 16 53.8 45.8 37.8 29.8
700 7H 12 6.85 7.25 21.8 32 28.4 14.2 48	700 7H 12 6.85 7.25 21.8 32 28.4 14.2 48
550 16 53.8 45.8 37.8 29.8	550 16 53.8 45.8 37.8 29.8
800 6H 12 5.85 6.25 21.8 32 28.4 14.2 40	800 6H 12 5.85 6.25 21.8 32 28.4 14.2 40
650 16 53.8 45.8 37.8 29.8	650 16 53.8 45.8 37.8 29.8
900 5H 12 4.85 5.25 21.8 32 28.4 14.2 40	900 5H 12 4.85 5.25 21.8 32 28.4 14.2 40
450 7H 12 6.85 7.25 53.8 45.8 37.8 29.8	450 7H 12 6.85 7.25 53.8 45.8 37.8 29.8
600 8H 12 7.85 8.25 21.8 32 28.4 14.2 40	600 8H 12 7.85 8.25 21.8 32 28.4 14.2 40
450 16 53.8 45.8 37.8 29.8	450 16 53.8 45.8 37.8 29.8
700 7H 12 6.85 7.25 21.8 32 28.4 14.2 40	700 7H 12 6.85 7.25 21.8 32 28.4 14.2 40
550 16 53.8 45.8 37.8 29.8	550 16 53.8 45.8 37.8 29.8
800 6H 12 5.85 6.25 21.8 32 28.4 14.2 40	800 6H 12 5.85 6.25 21.8 32 28.4 14.2 40
650 16 53.8 45.8 37.8 29.8	650 16 53.8 45.8 37.8 29.8
900 5H 12 4.85 5.25 21.8 32 28.4 14.2 40	900 5H 12 4.85 5.25 21.8 32 28.4 14.2 40



DIMENSIONS: mm		TOLERANCES UNLESS OTHERWISE SPECIFIED:		DWN FLORENCE TAN 30AUG04		TE Connectivity	
0 PLC ±		1 PLC ±0.3		CHK ERIC TNG		NAME PLUG ASSEMBLY (0.5 BOSS LENGTH) FOR FH 0.8 B-T-B CONN. ON TAPING	
1 PLC ±0.3		2 PLC ±0.25		APVD SF LEONG		PRODUCT SPEC 108-5390	
2 PLC ±0.25		3 PLC ±0.2		MATERIAL		APPLICATION SPEC 114-5254	
3 PLC ±0.2		4 PLC ±		FINISH		WEIGHT	
4 PLC ±		ANGLES ±5°		MATERIAL		SIZE A3	
MATERIAL		FINISH		CAGE CODE		DRAWING NO 00779	
MATERIAL		FINISH		WEIGHT		DRAWING NO C-5177986	
MATERIAL		FINISH		CUSTOMER DRAWING		SCALE 2:1	
MATERIAL		FINISH		CUSTOMER DRAWING		SHEET 1 OF 1	
MATERIAL		FINISH		CUSTOMER DRAWING		REV E1	

AMP 1470-19 REV 09M194