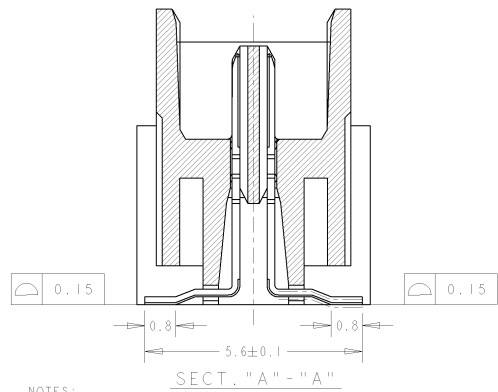
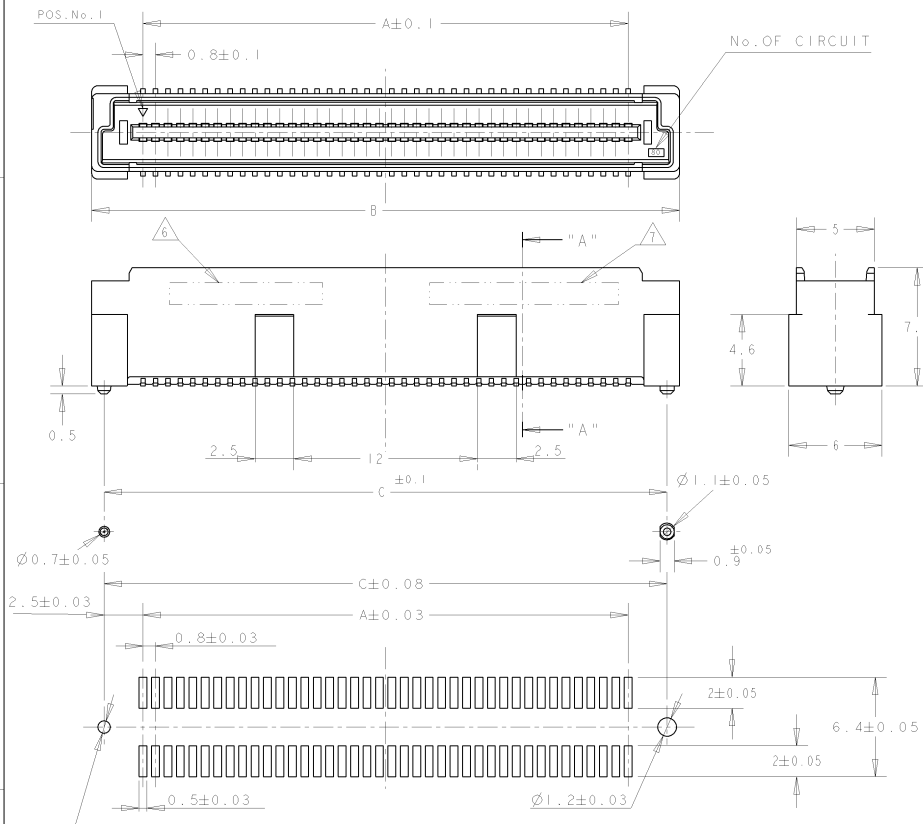


THIS DRAWING IS UNPUBLISHED
 RELEASED FOR PUBLICATION
 COPYRIGHT 19 BY - ALL RIGHTS RESERVED.

LOC	DIST	REVISIONS			
P	LTR	DESCRIPTION	DATE	BY	APVD
G2		REVISED PER ECO-11-005139	19MAR11	RK	HMR



- NOTES:
- △ MATERIAL: HOUSING: L.C.P (HIGH TEMP THERMO PLASTIC)
UL 94V-0, NATURAL.
CONTACT: BRASS.
 - △ FINISH: CONTACT AREA: 0.0002 MIN GOLD ON
0.0013 MIN ALL OVER NICKEL.
SOLDERING AREA: 0.001 MIN TIN-LEAD.
 - 3. POSITION SERIES: SEE TABLE.
 - 4. CONN STACK HEIGHT COMBINE OF PLUG "Y" H VS REC "X" H.
STACK HEIGHT = Y + X - 5
 - △ THIS ITEM IS PRELIMINARY.
 - △ DATE CODE MARKING AT APPROXIMATE LOCATION AS SHOWN.
 - △ PART NUMBER MARKING AT APPROXIMATE LOCATION AS SHOWN.
 - △ OBSOLETE PARTS: OBSOLETE CIS STREAMLINING PER D.RENAUD/D.SINISI

DIMENSIONS: mm		TOLERANCES UNLESS OTHERWISE SPECIFIED:		DWN T. KUSUHARA 30MAR93	
0 PLC ±		1 PLC ±0.30		CHK I. ENOMOTO	
1 PLC ±0.25		2 PLC ±0.20		APVD S.F. LEONG	
2 PLC ±		3 PLC ±		NAME PLUG ASSEMBLY 8H TYPE (0.5 BOSS LENGTH) FOR FH 0.8MM PITCH B-T-B CONNECTOR	
3 PLC ±		4 PLC ±		PRODUCT SPEC 108-5390	
4 PLC ±		ANGLES ±		APPLICATION SPEC 114-5254	
MATERIAL △		FINISH △		WEIGHT	
				SIZE A3	
				CAGE CODE 00779	
				DRAWING NO C-179031	
				CUSTOMER DRAWING	
				SCALE 4:1	
				SHEET 1 of 2	
				REV G2	

AMP 1470-19 REV 09MAY94

4

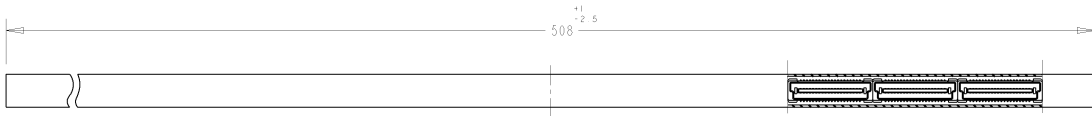
3

2

1

THIS DRAWING IS UNPUBLISHED. RELEASED FOR PUBLICATION .19
 BY - ALL RIGHTS RESERVED.

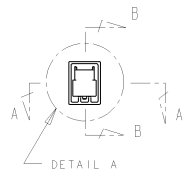
LOC	DIST	REVISIONS			
P	LTR	DESCRIPTION	DATE	DWN	APVD
DY	-	SEE SHEET 1			



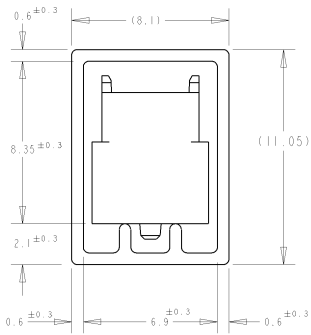
SECT A-A



SECT B-B



REFERENCE PICTURE OF TUBE PACK



DETAIL "B"
(SCALE 5-1)

OBsolete

14	32.2	33.8	27.2	70		
5	84.2	85.8	79.2	200	1-	-0
6	76.2	77.8	71.2	180		-9
6	68.2	69.8	63.2	160		-8
7	60.2	61.8	55.2	140		-6
9	52.2	53.8	47.2	120		-5
10	44.2	45.8	39.2	100		-4
12	36.2	37.8	31.2	80		-3
16	28.2	29.8	23.2	60		-2
22	20.2	21.8	15.2	40		179031-1
QTY/TUBE	C	B	A	POS.	CONN P/N	

DIMENSIONS: mm		TOLERANCES UNLESS OTHERWISE SPECIFIED:		DWN T. KUSUHARA 30MAR93		STE TE Connectivity	
0 PLC ±-		1 PLC ±0.30		CHK I. ENOMOTO			
1 PLC ±0.25		2 PLC ±0.20		APVD SF LEONG		NAME	
3 PLC ±-		4 PLC ±0.25		PRODUCT SPEC 108-5390		PLUG ASSEMBLY 8H TYPE (0.5 BOSS LENGTH)	
4 PLC ±-		ANGLES ±°		APPLICATION SPEC 114-5254		FOR FH 0.8MM PITCH B-T-B CONNECTOR	
MATERIAL		FINISH		WEIGHT		SIZE A3	CAGE CODE 00779
				CUSTOMER DRAWING		DRAWING NO. C-179031	
						SCALE 4:1	SHEET 2 OF 2
							REV 02