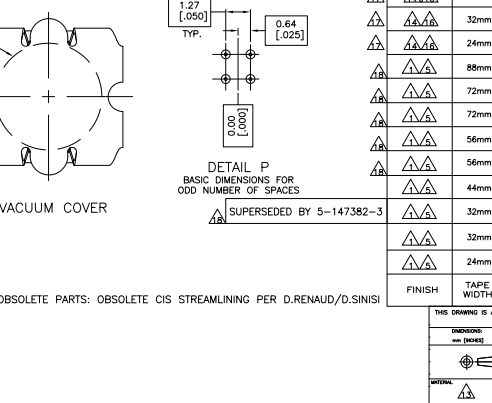
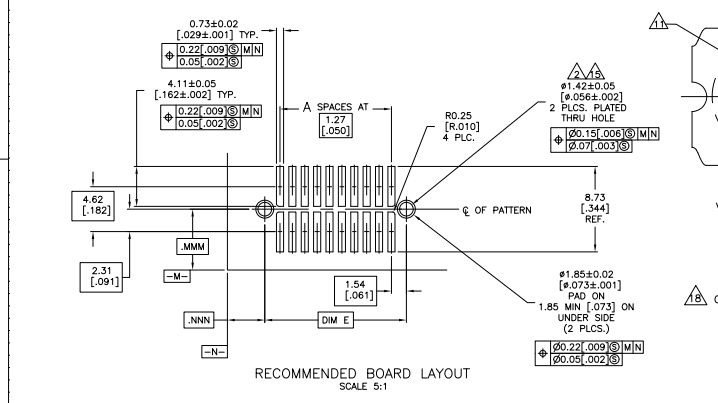
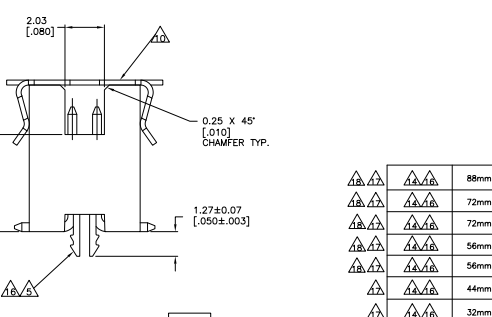
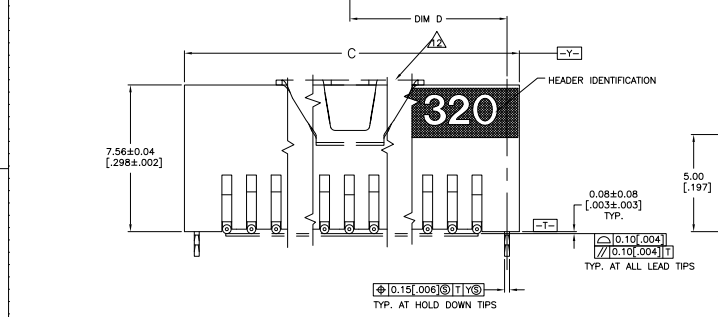
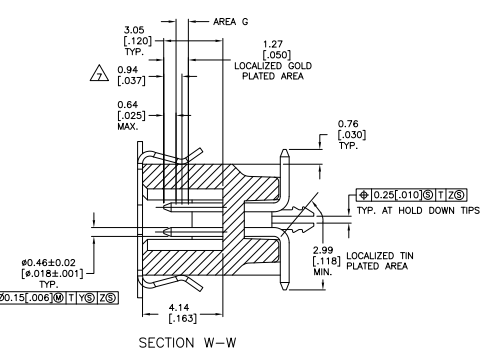
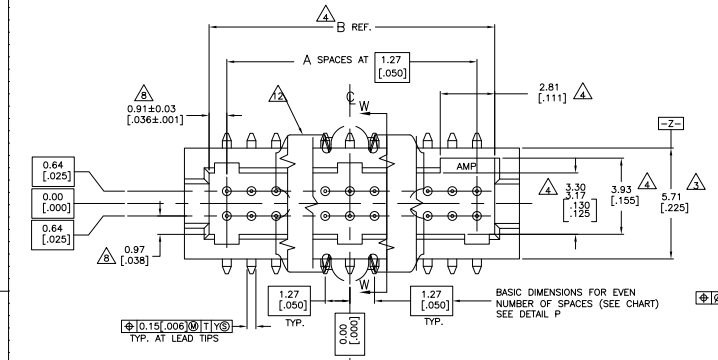


THIS DRAWING IS UNPUBLISHED
 ALL RIGHTS RESERVED

REV	DATE	DESCRIPTION	BY	CHKD	APP'D
AD 00					
CA		REVISED PER EDD-11-000927			



1. 0.0007(0.00030) GOLD AT POINT OF MEASUREMENT, 0.0005(0.00020) MIN AT THE END POINTS OF AREA G, (LOCALIZED GOLD PLATE AREA), 0.0038(0.00150) TIN-LEAD ON LOCALIZED TIN PLATED AREA, ALL OVER 0.0013(0.00050) NICKEL.

2. USE 1.55±0.02 [0.061±0.010] DRILLED HOLE (1.55mm DRILL), FINISH TO BE TIN-LEAD OVER 0.02 [0.001] MIN COPPER.

3. DIMENSION APPLIES AT BASE OF SHROUD.

4. THE NOTED DIMENSIONS APPLY AT THE MATING FACE OF THE HOUSING.

5. 0.0038 [0.00150] TIN-LEAD ON HOLD DOWN, ALL OVER 0.0013 [0.00050] NICKEL.

6. IF PLANNING TO USE MORE THAN ONE MATING PAIR OF CONNECTORS TO INTERCONNECT 2 BOARDS, PLEASE REFER TO THE SPACING PARAGRAPH IN APPLICATION SPEC, #114-7010

7. POINT OF MEASUREMENT.

8. DIMENSIONS NOTED APPLY FROM THE BASIC DIMENSION LINE (NOT THE CIRCUIT CAVITY CENTER LINE) TO THE SURFACE INDICATED.

9. PACKAGED IN TAPE AND REEL PER EA-481 SPECIFICATIONS. SEE CHART FOR TAPE WIDTHS.

10. VACUUM COVER DESIGNED FOR 4.0 [1.60] DIA. NOZZLE. VACUUM COVER TO BE REMOVED AFTER SOLDERING.

11. 5.5 [2.16] MIN TARGET AREA FOR VACUUM PICK-UP.

12. VACUUM COVER SHOWN IN PHANTOM LINE.

13. HOUSING: LCP, COLOR-BLACK.
POST: PHOSPHOR BRONZE.
HOLD DOWN: COPPER ALLOY
VACUUM COVER: ALUMINUM.

14. 0.0007(0.00030) GOLD AT POINT OF MEASUREMENT, 0.0005(0.00020) MIN AT THE END POINTS OF AREA G, (LOCALIZED GOLD PLATE AREA), 0.0038(0.00150) TIN ON LOCALIZED TIN PLATED AREA, ALL OVER 0.0013(0.00050) NICKEL.

15. USE 1.55+/-0.02(0.061+/-0.010) DRILLED HOLE FINISH TO BE TIN OVER 0.02(0.001)MIN COPPER.

16. 0.0038(0.00150) TIN ON HALDDOWN, ALL OVER .0013(0.00050) NICKEL.

17. ROHS 2002/95/EC COMPLIANT.

FINISH	TAPE WIDTH	E	D	C	B	A	NUMBER OF POSITIONS	PART NUMBER
△△△	88mm	65.33 [2.572]	32.66 [1.286]	66.99 [2.622]	64.05 [2.522]	49	100	5-147382-9
△△△	72mm	52.63 [2.072]	26.31 [1.036]	53.69 [2.122]	51.35 [2.022]	39	80	5-147382-8
△△△	72mm	48.28 [1.822]	23.13 [0.911]	47.54 [1.872]	45.00 [1.772]	34	70	5-147382-7
△△△	56mm	39.93 [1.572]	19.96 [0.786]	41.19 [1.622]	38.65 [1.522]	29	60	5-147382-6
△△△	56mm	33.58 [1.322]	16.78 [0.661]	34.84 [1.372]	32.30 [1.272]	24	50	5-147382-5
△△△	44mm	27.23 [1.072]	13.61 [0.536]	28.49 [1.122]	25.95 [1.022]	19	40	5-147382-4
△△△	32mm	20.88 [0.822]	10.43 [0.411]	22.14 [0.872]	19.60 [0.772]	14	30	5-147382-3
△△△	32mm	14.53 [0.572]	7.26 [0.286]	15.79 [0.622]	13.25 [0.522]	9	20	5-147382-2
△△△	24mm	8.18 [0.322]	4.08 [0.161]	9.44 [0.372]	6.90 [0.272]	4	10	5-147382-1
△△△	88mm	65.33 [2.572]	32.66 [1.286]	66.99 [2.622]	64.05 [2.522]	49	100	147382-9
△△△	72mm	52.63 [2.072]	26.31 [1.036]	53.69 [2.122]	51.35 [2.022]	39	80	447382-8
△△△	72mm	48.28 [1.822]	23.13 [0.911]	47.54 [1.872]	45.00 [1.772]	34	70	447382-7
△△△	56mm	39.93 [1.572]	19.96 [0.786]	41.19 [1.622]	38.65 [1.522]	29	60	447382-6
△△△	56mm	33.58 [1.322]	16.78 [0.661]	34.84 [1.372]	32.30 [1.272]	24	50	447382-5
△△△	44mm	27.23 [1.072]	13.61 [0.536]	28.49 [1.122]	25.95 [1.022]	19	40	447382-4
△△△	32mm	20.88 [0.822]	10.43 [0.411]	22.14 [0.872]	19.60 [0.772]	14	30	447382-3
△△△	32mm	14.53 [0.572]	7.26 [0.286]	15.79 [0.622]	13.25 [0.522]	9	20	447382-2
△△△	24mm	8.18 [0.322]	4.08 [0.161]	9.44 [0.372]	6.90 [0.272]	4	10	447382-1

18. OBSOLETE PARTS: OBSOLETE CIS STREAMLINING PER D.RENAUD/D.SINISI

19. SUPERSUED BY 5-147382-3

THIS DRAWING IS A CONTROLLED DOCUMENT.

REV	DATE	DESCRIPTION	BY	CHKD	APP'D
1					
2					
3					
4					
5					
6					
7					
8					
9					
10					
11					
12					
13					
14					
15					
16					
17					
18					
19					
20					

TE Connectivity
 HEADER ASSEMBLY SURFACE MOUNT,
 AMPHIBIOUS 50/50 GRID
 (812 [3.20] MATED HEIGHT)

114-7010
 A1
 147382
 10:1
 1