

4

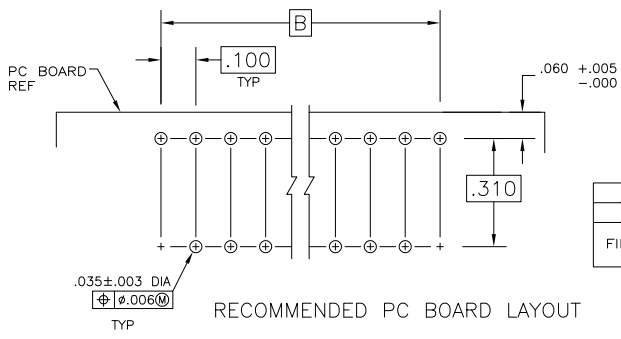
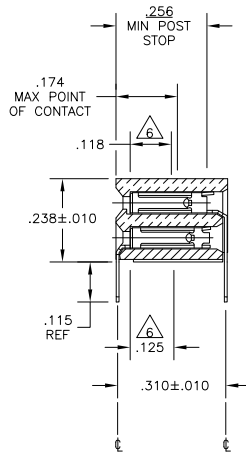
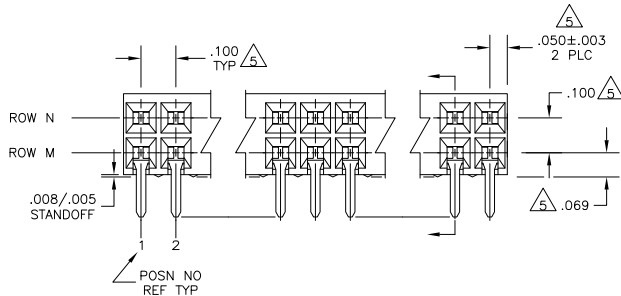
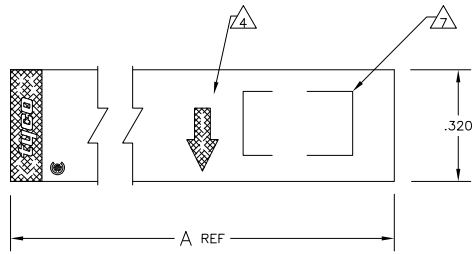
3

2

1

THIS DRAWING IS UNPUBLISHED. RELEASED FOR PUBLICATION  
 © COPYRIGHT BY TYCO ELECTRONICS CORPORATION. ALL RIGHTS RESERVED.

LOC	DIST	REVISIONS		
P	LTR	DESCRIPTION	DATE	MIN
B	EC	063C 0007 05	07FEB05	BSV



- 1 HOUSING MATERIAL : GLASS FILLED, FLAME RETARDANT POLYESTER, COLOR-BLACK.
- 2 CONTACT MATERIAL : PHOSPHOR BRONZE.
- 3 CONTACT FINISH : DUPLEX PLATED .000030 GOLD ON CONTACT AREA, .000150-.000300 BRIGHT TIN-LEAD ON SOLDER TINES, ALL OVER .000050 MIN. NICKEL.
- 4 MOLDED IN ARROW DESIGNATES THE MATING FACE OF THE CONNECTOR.
- 5 DIMENSIONS PERTAIN TO CAVITY CENTERLINES.
- 6 POINT OF MEASUREMENT FOR PLATING THICKNESS OF CONTACT AREA.
- 7 DATE CODE AND PART NUMBER MARKED IN APPROXIMATE LOCATION SHOWN.
- 8 CONTACT FINISH : DUPLEX PLATED .000030 GOLD ON CONTACT AREA, .000150-.000300 MATTE TIN ON SOLDER LEADS, ALL OVER .000050 MIN. NICKEL.
- 9 ROHS 2002 /95/EC COMPLIANT

3, 6, 12, & 15	3, 6, 12, & 15	1.600	1.700	26/34	5-147046-1
3, 6, 12, & 15	3, 6, 12, & 15	1.600	1.700	26/34	147046-1
FINISH	ROW M	ROW N	B	A	NO. OF POSITIONS
POSITIONS OMITTED		ASSEMBLY PART NUMBER			

THIS DRAWING IS A CONTROLLED DOCUMENT.

DESIGNED BY: J. HERRINGTON	DATE: 10SEP97	Tyco Electronics Corporation Harrisburg, Pa 17105-3608
CHECKED BY: J. HERRINGTON	DATE: 10SEP97	
APPROVED BY: J. HERRINGTON	DATE: 10SEP97	
PRODUCT SPEC: AMPMODU MOD II RECEPTACLE ASSEMBLY, HORIZONTAL, .100 CL, 2 ROW, CLOSED-ENTRY, SHORT POINT-OF-CONTACT, DUPLEX PLATING	SIZE: 1000 EDGE (FORMING NO)	
MATERIAL:	FINISH:	APPLICATION SPEC: HEIGHT: WEIGHT: CUSTOMER DRAWING

SCALE: 5:1 SHEET 1 OF 1 REV B

AMP 1471-9 REV 31MM2000

147046

A