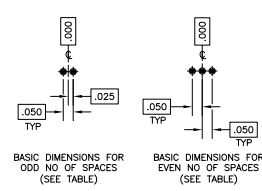
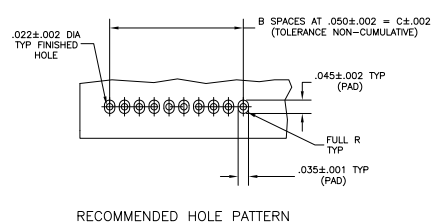
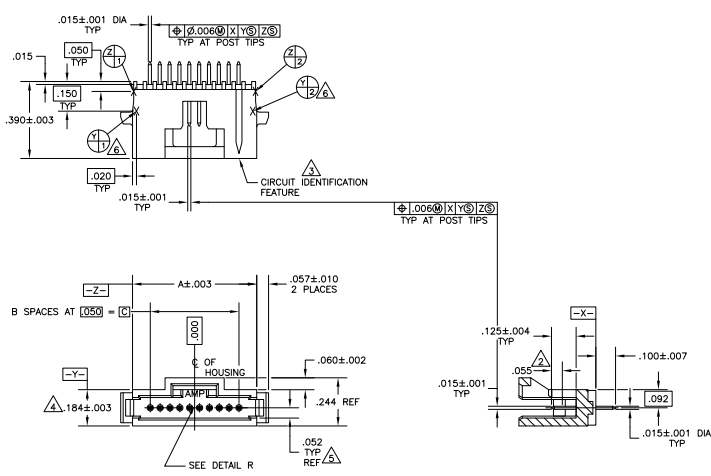


REVISED PER		REVISIONS		DATE	BY	APP'D
NO	DESCRIPTION	NO	DESCRIPTION	DATE	BY	APP'D
00	REVISED PER ECD-11-004587	11MMR11	RC	HMR		



- △ CONTACT AREAS PLATED WITH .000030 GOLD, SOLDER TAILS PLATED WITH .000150 TIN-LEAD, ALL OVER .000050 NICKEL
- △ POINT OF MEASUREMENT FOR GOLD THICKNESS
- △ CIRCUIT IDENTIFICATION FEATURE OMITTED ON 4,5,6 AND 7 POSITION HEADER ASSEMBLIES
- △ DIMENSION APPLIES AT BASE OF SHROUD
- △ THE NOTED DIMENSIONS APPLY AT THE INTERSECTION OF THE POST & HOUSING
- △ (13) (17) ARE LOCATED THE SAME AS (17) (13) EXCEPT ON OPPOSITE SIDE OF HOUSING.
- △ CONTACT AREAS PLATED WITH .000030 GOLD, SOLDER TAILS PLATED WITH .000150 TIN-LEAD, ALL OVER .000050 NICKEL
- △ OBSOLETE PARTS: OBSOLETE CIS STREAMLINING PER D.RENAUD/D.SINISI

△ OBSOLETE	1.250	25	1.430	26	7-104071-0
△ OBSOLETE	2.450	49	2.630	50	6-104071-9
△ OBSOLETE	2.200	44	2.380	45	6-104071-8
△	1.950	39	2.130	40	6-104071-7
△ OBSOLETE	1.750	35	1.930	36	6-104071-6
△	1.300	26	1.480	27	6-104071-5
△	1.050	21	1.230	22	6-104071-4
△	.800	16	.980	17	6-104071-3
△ OBSOLETE	.600	12	.780	13	6-104071-2
△	.550	11	.730	12	6-104071-1
△ OBSOLETE	.350	7	.530	8	6-104071-0
△	.300	6	.480	7	5-104071-9
△	.250	5	.430	6	5-104071-8
△	.150	3	.330	4	5-104071-7
△	1.450	29	1.630	30	5-104071-6
△	1.200	24	1.380	25	5-104071-5
△	.950	19	1.130	20	5-104071-4
△	.700	14	.880	15	5-104071-3
△	.200	4	.380	5	5-104071-2
△	.450	9	.630	10	5-104071-1
△ SUPERSEDED BY 6-104071-9	1.250	25	1.430	26	2-104071-0
△ OBSOLETE	2.450	49	2.630	50	4-104071-9
△ OBSOLETE	2.200	44	2.380	45	1-104071-8
△	1.950	39	2.130	40	1-104071-7
△	1.750	35	1.930	36	1-104071-6
△ OBSOLETE	1.300	26	1.480	27	1-104071-5
△	1.050	21	1.230	22	1-104071-4
△	.800	16	.980	17	1-104071-3
△ OBSOLETE	.600	12	.780	13	4-104071-2
△	.550	11	.730	12	1-104071-1
△ OBSOLETE	.350	7	.530	8	1-104071-0
△	.300	6	.480	7	104071-9
△	.250	5	.430	6	104071-8
△	.150	3	.330	4	104071-7
△	1.450	29	1.630	30	104071-6
△	1.200	24	1.380	25	104071-5
△	.950	19	1.130	20	104071-4
△	.700	14	.880	15	104071-3
△	.200	4	.380	5	104071-2
△	.450	9	.630	10	104071-1

THIS DRAWING IS A CONTROLLED DOCUMENT.		REV. NO.	DATE	REVISED BY	DATE	APPROVED BY	DATE	REVISIONS
DESIGNER	108-1093							
DATE	114-25031							
SIZE	4:1							
DRAWING NO.	A100779							
CUSTOMER DRAWING								