

4

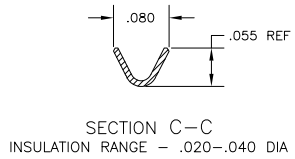
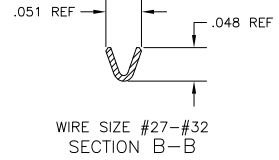
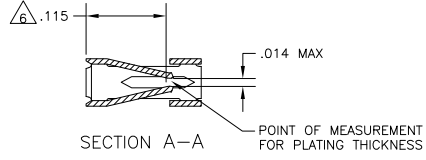
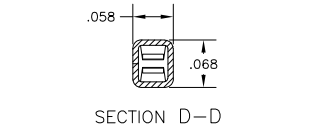
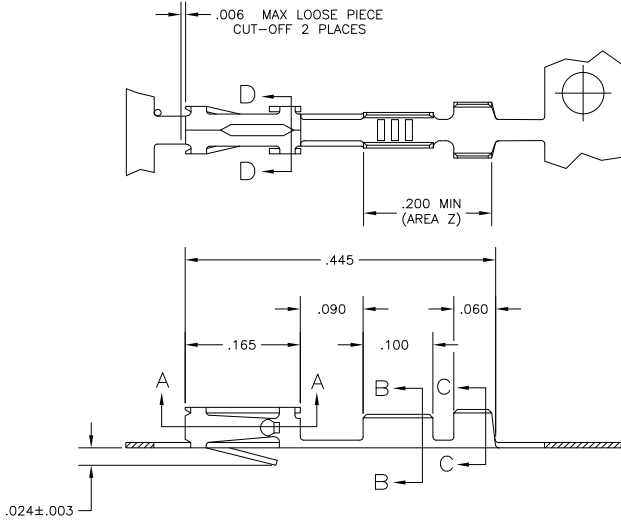
3

2

1

THIS DRAWING IS UNPUBLISHED. RELEASED FOR PUBLICATION  
 BY TYCO ELECTRONICS CORPORATION. ALL RIGHTS RESERVED.

LOC	DIST	REVISIONS		
P	LTR	DESCRIPTION	DATE	APP'D
G	ECO-05-007262		09JAN06	BSV MM



- 1 .000030 ON CONTACT AREA, .000100-.000200 93/7 TIN LEAD IN CRIMP AREA "Z", ALL OVER .000050 NICKEL.
- 2. REELED FOR MINI APPLICATOR.
- 3. SHEARED EDGES PERMITTED TO BE UNPLATED.
- 4 .000015 GOLD IN AREA "K", .000100-.000200 BRIGHT TIN-LEAD IN AREA "Z", ALL OVER .000050 NICKEL.
- 5 .000015 GOLD IN CONTACT AREA, .000050 NICKEL ENTIRE CONTACT.
- 6. POINT OF MEASUREMENT FOR PLATING THICKNESS (INSIDE BEAMS)
- 7 .000030 ON CONTACT AREA, .000100-.000200 MATTE TIN IN CRIMP AREA "Z", ALL OVER .000050 NICKEL.

REVISIONS	DESCRIPTION	DATE	APP'D
1	LOOSE PIECE		5-102920-2
2	LOOSE PIECE		5-102920-1
3	LOOSE PIECE		102920-8
4	LOOSE PIECE		102920-7
5	LOOSE PIECE		102920-5
6	LOOSE PIECE		102920-4
7	LOOSE PIECE		102920-2
8	LOOSE PIECE		102920-1

THIS DRAWING IS A CONTROLLED DOCUMENT.

DESIGNED BY: KATE HELM	DATE: 03MAY99	Tyco Electronics Corporation Harrisburg, Pa 17105-3608
CHECKED BY: J. OBERMAN	DATE: 02JUN99	
APPROVED BY: J. GEFORD	DATE: 02JUN99	CONTACT, MOD IV 1/2, RECEPTACLE, CRIMP SNAP-IN
DRAWING NO: 108-25021	PRODUCT SPEC: 114-25003	SIZE: A2
MATERIAL: CU-SN-P ALLOY 521	FINISH: SEE TABLE	SCALE: 10:1
REVISIONS: 1 PLC ± .005		SHEET: 1 OF 1
		REV: G