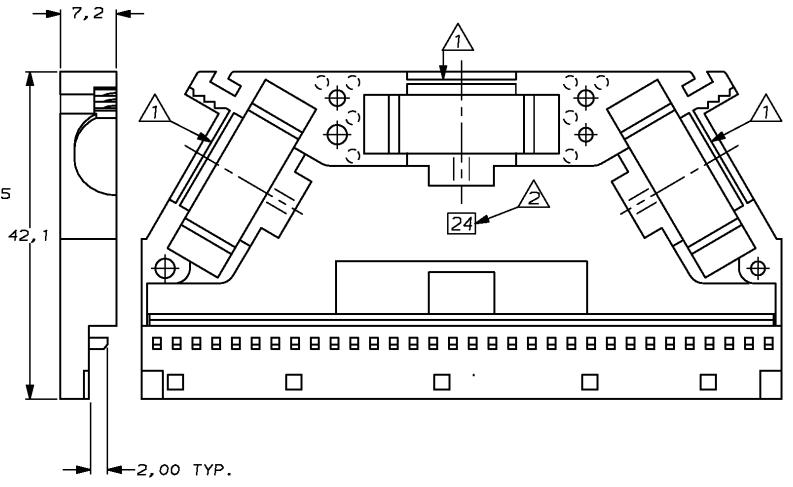
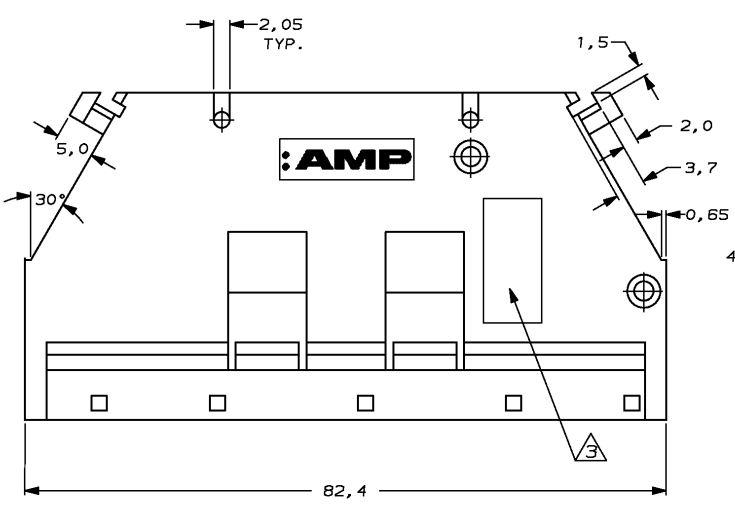


DO NOT SCALE
DIMENSIONS IN mm

METRIC

THIRD ANGLE
PROJECTION



NOTES:

- 1 BREAK-AWAY PARTITION.
- 2 WIRE SIZE IDENTIFICATION. (24 AWG)
- 3 LOCATION FOR MPP-LABEL.
- 4. MAX. CABLE DIA. 12,5mm.

BLACK	THERMOPLASTIC POLYESTER	100356-1
COLOUR	MATERIAL	PARTNUMBER
CUSTOMER DRAWING		FOR REFERENCE ONLY WILL NOT BE UPDATED
© COPYRIGHT 1993 BY AMP-DEUTSCHLAND GMBH ALL INTERNATIONAL RIGHTS RESERVED. AMP PRODUCTS MAY BE COVERED BY U.S. AND FOREIGN AND/OR PATENTS PENDING. THIS DRAWING IS UNPUBLISHED RELEASED FOR PUBLICATION		
A1	EG 0862-96	A.Z. U.L. 23-08-86
A	EH-861-93	WRV RV 8-11-93
0	H-8960	RH RV 24-07-91
LTR.	REVISION RECORD	DR. CHK. DATE
DR. : R.HOEVEEN	CHK. : R.VERSTJENEN	APP. : L.v.SREEST
DATE: 24-07-91	DATE: 25-9-91	DATE: 27-9-91
DWG. No. 100356		A3
SHEET 1 of 1		REV. LTR. A1

RS-128 REV. 04-91 8 7 6 5 4 3 2 1