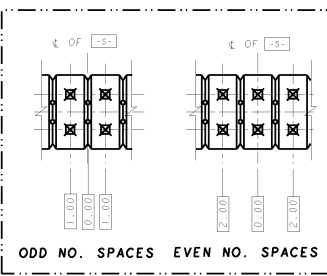
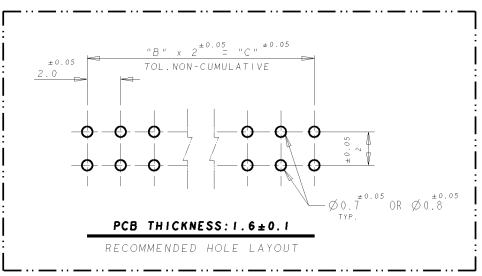
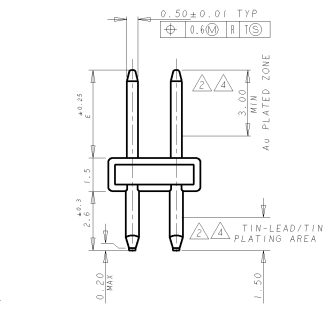
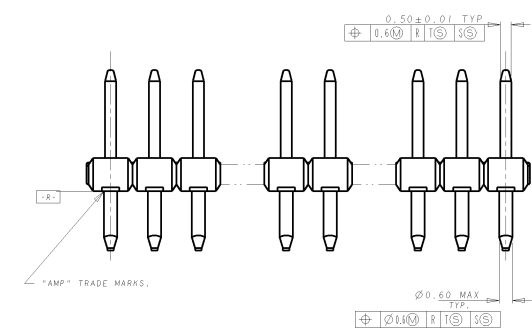
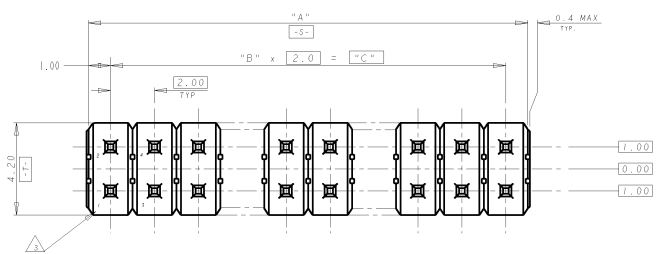


REV. NO.	DATE	BY	CHKD	DESCRIPTION
P	19MAR11	RK	HMR	REVISED PER ECO-11-005139

NOTES:
 △ MATERIAL HOUSING: THERMOPLASTIC, UL 94V-0.
 POST : BRASS
 △ FINISH CONTACT AREA: "D" MIN Au
 ON NICKEL 0.0013 MIN ALL OVER
 POST TINE: 0.002 MIN MATTE TIN
 △ POST POSITION NUMBERS FOR REFERENCE ONLY.



FINISH	PIN OMITTED	"E"	"D"	"C"	"B" SPACES	"A"	POS	P/N
NIL	4.00	0.0002	2	1	4	4	5176264-1	
17	4.00	0.00076	24	12	26	26	-7	
9, 10	5.00	0.00076	24	12	26	26	-6	
1, 14	0.00076	14	7	16	16	5	-5	
1, 12	0.00076	10	5	12	12	5	-4	
NIL	0.00076	10	5	12	12	5	-3	
25	0.00076	48	24	50	50	5	-2	
25	0.0002	48	24	50	50	4	-1	
			46	23	48	48	-7	
			44	22	46	46	-6	
			42	21	44	44	-5	
	0.00076	34	17	36	36	4	-1	
		48	24	50	50	3	-9	
		42	21	44	44	3	-6	
		38	19	40	40	3	-4	
	0.0002	34	17	36	36	3	-2	
		28	14	30	30	2	-9	
		22	11	24	24	2	-6	
		20	10	22	22	2	-5	
		18	9	20	20	2	-4	
		16	8	18	18	2	-3	
		14	7	16	16	2	-2	
		12	6	14	14	2	-1	
		10	5	12	12	2	-0	
		8	4	10	10	1	-9	
		6	3	8	8	1	-8	
		4	2	6	6	1	-7	
		2	1	4	4	1	-6	
	0.00076	30	15	32	32	1	-5	
		28	14	30	30	1	-4	
		26	13	28	28	1	-3	
		22	11	24	24	1	-1	
		20	10	22	22	1	-0	
		18	9	20	20	0	-9	
		16	8	18	18	0	-8	
		14	7	16	16	0	-7	
		12	6	14	14	0	-6	
		10	5	12	12	0	-5	
		8	4	10	10	0	-4	
		6	3	8	8	0	-3	
		2	1	4	4	0	-1	
NIL	4.00	0.0002	2	1	4	4	5176264-1	

AMP 1471-9 REV 0004304
 P14:ENGINEER DRAWING

STE TE Connectivity
 AMPMODU 2mm PITCH POST HDR,
 VERTICAL MOUNT TYPE

DATE: 01MAR2005
 BY: VINCENT TAN
 APPR: SF LEONG

PRODUCT SPEC: -
 APPLICATION SPEC: -
 WEIGHT: -
 CUSTOMER DRAWING

GENERAL TOLERANCE:
 DIMS: 10 20 30 40 50 60 70 80 90 100
 ANGLES: 30 45 60 75 90 105 120 135 150

DIMENSIONS: mm
 TOLERANCES UNLESS OTHERWISE SPECIFIED:
 DIMS: 10 20 30 40 50 60 70 80 90 100
 ANGLES: 30 45 60 75 90 105 120 135 150

SCALE: 8:1 SHEET 1 OF 1 REV P

5176264