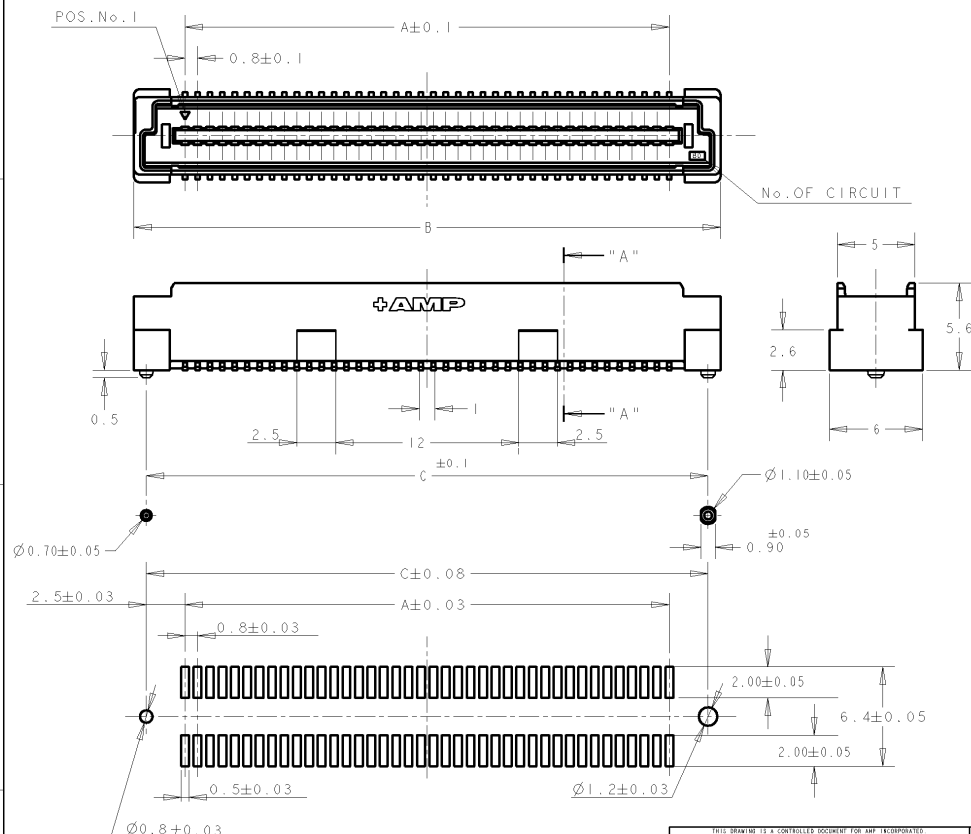
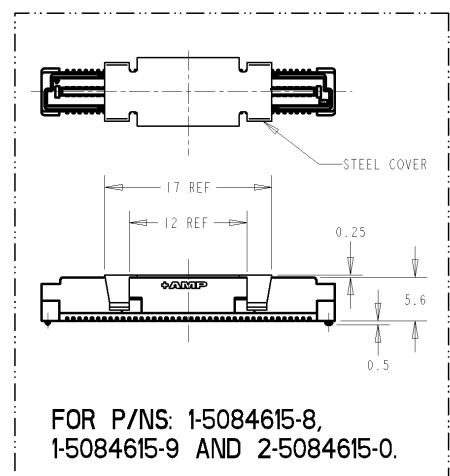


THIS DRAWING IS UNPUBLISHED. RELEASED FOR PUBLICATION
 COPYRIGHT 19 BY AMP INCORPORATED. ALL RIGHTS RESERVED.

LOC	DIST	REVISIONS			
F	LTR	DESCRIPTION	DATE	OWN	APVD
A1		REVISED PER ECR-06-029208	14DEC06	SYJ	LSF



- NOTES:
- △ MATERIAL: HOUSING: L.C.P. (HIGH TEMP THERMO PLASTIC)
UL 94V-0, NATURAL.
CONTACT: BRASS.
 - △ FINISH: CONTACT AREA: 0.00076 MIN GOLD ON
0.0013 MIN ALL OVER NICKEL.
SOLDERING AREA: 0.002 MIN MATTE TIN.
 - 3. POSITION SERIES; SEE TABLE. (SHEET 2)
 - 4. CONN STACK HEIGHT COMBINE OF PLUG "Y" H VS REC "X" H.
STACK HEIGHT = Y + X - 5
 - 5. FOR STEEL COVER PICK AND PLACE VERSION,
DESCRIPTION PRINTING ON TUBE IS:
"PLUG ASS'Y (H=6mm), W/ STEEL COVER,
0.8mm BTB STACKING CONN"

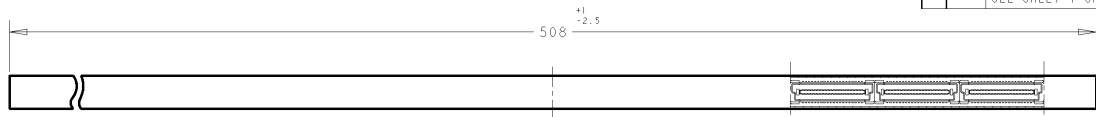


RECOMMENDED P.C. BOARD LAYOUT

THIS DRAWING IS A CONTROLLED DOCUMENT FOR AMP INCORPORATED IT IS SUBJECT TO CHANGE AND THE CONTROLING ENGINEERING ORGANIZATION SHOULD BE CONTACTED FOR THE LATEST REVISION.		OWN FLORENCE TAN	23AUG04	tyco Electronics		TYCO ELECTRONICS (SINGAPORE) PTE. LTD.
DIMENSIONS: mm		CHK ERIC TNG	NAME SF LEONG	PRODUCT SPEC 108-5390		
TOLERANCES UNLESS OTHERWISE SPECIFIED:		APVD SF LEONG	APPLICATION SPEC 114-5254	DRAWING NO C-5084615		
0 PLC ± 1 PLC ±0.30 2 PLC ±0.25 3 PLC ±0.20 4 PLC ± ANGLES ±°		WEIGHT -	SIZE A3	CAGE CODE 00779	SCALE 4:1	
MATERIAL △		CUSTOMER DRAWING		SHEET 1 OF 2 REV A1		

P/N SEE SHEET 2 OF 2.

AMP 1470-19 REV 09MAY94
P/E: ENGINEER DRAWING



REFERENCE PICTURE OF TUBE PACK (WITHOUT STEEL COVER VERSION)

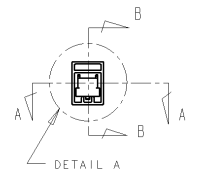


REFERENCE PICTURE OF TUBE PACK

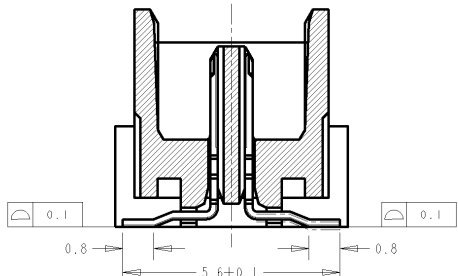
PLUG ASS'Y (H=6mm), 0.8mm BTB STACKING CONN

SECT A-A

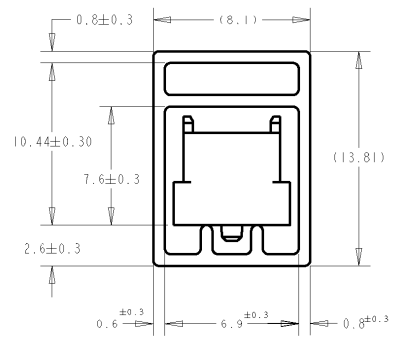
SECT B-B



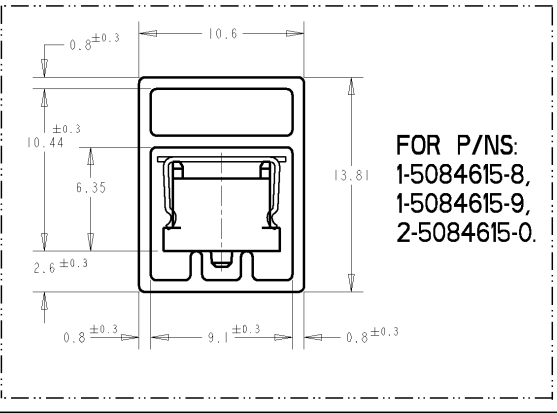
DETAIL A



SECT. "A" - "A"



DETAIL "B" (SCALE 5-1)



FOR P/NS:
 1-5084615-8,
 1-5084615-9,
 2-5084615-0.

WITH STEEL COVER	5	84.2	85.8	79.2	200	2-	-0	
	6	76.2	77.8	71.2	180	1-	-9	
	6	68.2	69.8	63.2	160	1-	-8	
	5	84.2	85.8	79.2	200	1-	-0	
	6	76.2	77.8	71.2	180		-9	
	6	68.2	69.8	63.2	160		-8	
	7	60.2	61.8	55.2	140		-6	
	9	52.2	53.8	47.2	120		-5	
	10	44.2	45.8	39.2	100		-4	
	12	36.2	37.8	31.2	80		-3	
	16	28.2	29.8	23.2	60		-2	
	22	20.2	21.8	15.2	40	5084615-1		
	REMARKS	STATUS	QTY/TUBE	C	B	A	POS.	CONN P/N
		AVAILABLE						

<small>THIS DRAWING IS A CONTROLLED DOCUMENT FOR AMP INCORPORATED IT IS SUBJECT TO CHANGE AND THE CONTROLING ENGINEERING ORGANIZATION SHOULD BE CONTACTED FOR THE LATEST REVISION.</small>		DWN 24AUG04 FLORENCE TAN CHK ERIC TING APVD SEI LEONG	tyco Electronics TYCO ELECTRONICS (SINGAPORE) PTE. LTD.
DIMENSIONS: mm 	TOLERANCES UNLESS OTHERWISE SPECIFIED: 0 PLC ± 1 PLC ±0.2 2 PLC ±0.25 3 PLC ±0.3 4 PLC ± ANGLES ±°	NAME PLUG ASSEMBLY 6H TYPE 30Au (0.5 BOSS LENGTH) FOR FH 0.8mm PITCH B-T-B CONNECTOR	DRAWING NO C-5084615
MATERIAL	FINISH	APPLICATION SPEC 108-5390 WEIGHT 114-5254	SIZE A3 CAGE CODE 00779 SCALE 4:1
CUSTOMER DRAWING		SHEET 2 OF 2	REV A1