

4

3

2

1

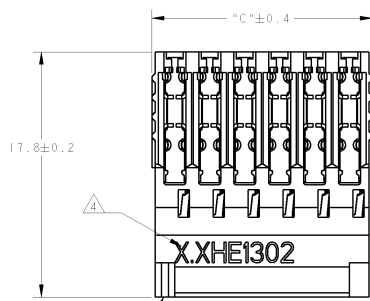
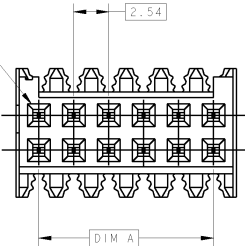
NOT DRAWING TO BE PUBLISHED
 REVISIONS TO BE INDICATED BY
 SUPERIOR DESIGNATION
 (C) COPYRIGHT 2000 BY TYCO ELECTRONICS CORPORATION. ALL RIGHTS RESERVED.
 TOUTES LES MODIFICATIONS DOIVENT ETRE INDIQUEES PAR LA DESIGNATION SUPERIEURE
 (C) DROIT DE PROPRIETE 2000 PAR TYCO ELECTRONICS CORPORATION. TOUS DROITS RESERVEES.

FILS ADMISSIBLES (ACCEPTABLE WIRES)

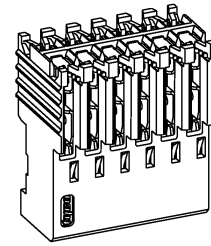
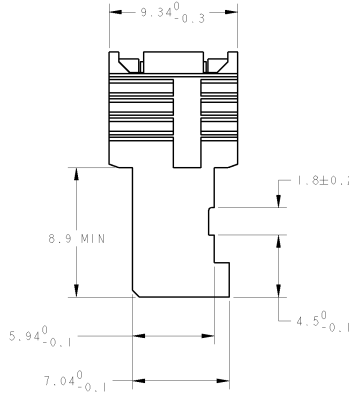
GAUGE (AWG)	28-26
SECTION / 7 BRINS (7 STRANDS)	0.08-0.12mm ²
ISOLANT: Ø MAX / MATIERE (INSUL.: Ø MAX / MAT'L)	Ø 1 / PVC

REV. NO	DATE	APP'D	REVISED BY	DESCRIPTION
A	REVISION	AC		
B	REVISION SUR (REDRAWN ON) PROJ/ENG	CC		
C	UPDATED	TC		

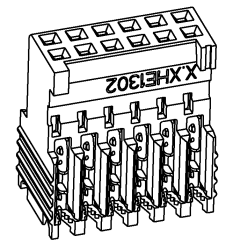
VOIE N°1
(POSITION NUMBER 1)



REPÈRE VOIE N°1
(IDENTIFIER POSITION NUMBER 1)



ECHELLE 4:1
SCALE



ECHELLE 4:1
SCALE

"C"	"A,B"	Nb DE POS.	REFERENCES (PART N°)
46.52	43.18	2x 18	1- 281793-8 *
38.90	35.56	2x 15	1- 281793-5 *
31.28	27.94	2x 12	1- 281793-2 *
26.20	22.86	2x 10	1- 281793-0 *
21.12	17.78	2x 8	0- 281793-8 *
16.04	12.70	2x 6	0- 281793-6 *
13.50	10.16	2x 5	0- 281793-5 *
10.96	7.62	2x 4	0- 281793-4 *
8.42	5.08	2x 3	0- 281793-3 *
5.88	2.54	2x 2	0- 281793-2 *

1 CES CONNECTEURS SONT PREVUS POUR ETRE ACCOUPLES AVEC LES EMBASES "HE1302" DOUBLE RANGEE

(THESE CONNECTORS ARE DESIGNED TO BE MATED WITH "HE1302" HEADERS DOUBLE ROW)

2 LES REFERENCES SUIVIES D'UN ' * ' SONT LES VERSIONS NORMALISEES SELON LA 'CEI 603-8'

(THE PART-Nb FOLLOWED BY ' * ' ARE COVERED BY THE INTERNATIONAL STANDARD 'IEC603-8')

RELEVEMENT DES CONTACTS: 0.38µm D'OR DANS LA ZONE DE CONTACT, ETAIN SUR LA SORTIE C.A.D., SOUS-COUCHE NICKEL

(CONTACTS PLATING: 0.38µm GOLD ON CONTACT AREA, TIN ON I.D. BARREL, NICKEL UNDERPLATING)

X.X EST REMPLACÉ PAR LES DEUX DEUXIEME CHIFFRES DU COUPLE DES JAUGES AWG

(*X.X* REPLACED BY THE TWO SECOND DIGIT OF AWG RANGE AS DEFINED IN TABLE)

MATIERES - BOITIER: PBT UL94V0
- CONTACTS: BRONZE PHOSPHOREUX.

(MATERIALS - HOUSING: PBT UL94V0
- CONTACTS: PHOSPHOR BRONZE)

DIMENSIONS (mm) DIMENSIONS (mm) DIMENSIONS (mm)		DATE: 28NOV2000 REVISION: 02NOV2000 PRODUCE: 28NOV2000 SPEC: PRODU L IDP: 15053	AMP DE FRANCE 95301 PONTOISE
APPLICATION SPEC: APPLICATION SPEC: APPLICATION REVISION: 0 REVISION APPROVAL:		NAME: HE 1302 PLUG, 180° IDC DOUBLE ROW	SHEET: 5 OF: 5 REV: C
WATER/PLUMBER:		CUSTOMER DRAWING / PLAN CLIENT UN QUERET / FOUR REFERENCE SCALE: 1:1 SHEET: 5 OF: 5 REV: C	SHEET: 5 OF: 5 REV: C