

4

3

2

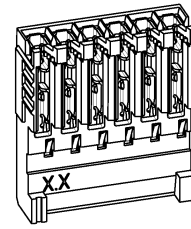
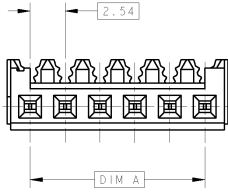
1

THIS DRAWING IS UNCLASSIFIED
 DIFFERENT DESIGNATION: BY ALL RIGHTS RESERVED
 (C) COPYRIGHT

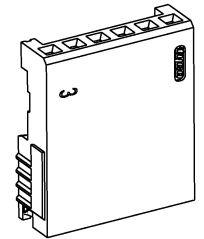
FILS ADMISSIBLES (ACCEPTABLE WIRES)

JAUGE (AWG) SECTION / 7 BRINS (7 STRANDS)	28-26 0.08-0.12mm ²
ISOLANT: Ø MAX / MATIERE (INSUL.: Ø MAX / MAT'L)	Ø1 / PVC

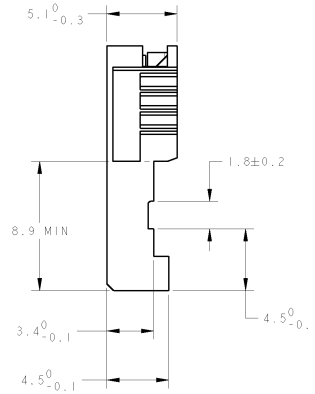
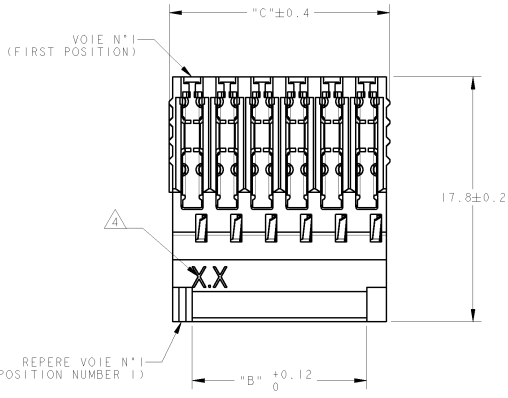
LOC	DIST	REVISIONS			
F	7	DESCRIPTION MODIFICATIONS	DATE	SWR	APPV
		C1 REVISED PER ECO-11-004100	28APR11	RK	HMR



SCALE 4:1



SCALE 4:1



46.52	43.18	18	1-281786-8 *
38.90	35.56	15	1-281786-5 *
31.28	27.94	12	1-281786-2 *
26.20	22.86	10	1-281786-0 *
21.12	17.78	8	0-281786-8 *
16.04	12.70	6	0-281786-6 *
13.50	10.16	5	0-281786-5 *
10.96	7.62	4	0-281786-4 *
8.42	5.08	3	0-281786-3 *
5.88	2.54	2	0-281786-2 *

C	A,B	Nb DE POS	REFERENCES (PART No)

1 CES CONNECTEURS SONT PREVUS POUR ETRE ACCOUPLES AVEC LES EMBASES "HE1402" SIMPLE RANGEE

(THESE CONNECTEURS ARE DESIGNED TO BE MATED WITH "HE1402" HEADERS SINGLE ROW)

2 LES REFERENCES SUIVIES D'UN " * " SONT LES VERSIONS NORMALISEES SELON LA "CEI 603-8"

(THE PART-NO FOLLOWED BY " * " ARE COVERED BY THE INTERNATIONAL STANDARD "IEC603-8")

△ REVETEMENT DES CONTACTS: ETAME

(CONTACTS PLATING: TIN)

△ 8.6 SIGNIFIE JAUGE 28-26

8.6 REFERS TO 28-26 AWG

△ MATIERES - BOITIER: PBT UL94V0, BLEU - CONTACTS: BRONZE PHOSPHOREUX.

(MATERIAL - HOUSING: PBT UL94V0, COLOR BLUE - CONTACTS: PHOSPHOR BRONZE)

DIMENSIONS (mm)		TOLERANCES (UNLESS OTHERWISE SPECIFIED)		TOLERANCES (UNLESS OTHERWISE SPECIFIED)		TOLERANCES (UNLESS OTHERWISE SPECIFIED)	
MATERIALE	FINISSEMENT	PROFIL	ANGLE	PROFIL	ANGLE	PROFIL	ANGLE

SW/REVISTAL - 28NOV2000	SW/REVISTAL - 28NOV2000	SW/REVISTAL - 28NOV2000	SW/REVISTAL - 28NOV2000
SW/REVISTAL - 28NOV2000	SW/REVISTAL - 28NOV2000	SW/REVISTAL - 28NOV2000	SW/REVISTAL - 28NOV2000
SW/REVISTAL - 28NOV2000	SW/REVISTAL - 28NOV2000	SW/REVISTAL - 28NOV2000	SW/REVISTAL - 28NOV2000
SW/REVISTAL - 28NOV2000	SW/REVISTAL - 28NOV2000	SW/REVISTAL - 28NOV2000	SW/REVISTAL - 28NOV2000
SW/REVISTAL - 28NOV2000	SW/REVISTAL - 28NOV2000	SW/REVISTAL - 28NOV2000	SW/REVISTAL - 28NOV2000
SW/REVISTAL - 28NOV2000	SW/REVISTAL - 28NOV2000	SW/REVISTAL - 28NOV2000	SW/REVISTAL - 28NOV2000
SW/REVISTAL - 28NOV2000	SW/REVISTAL - 28NOV2000	SW/REVISTAL - 28NOV2000	SW/REVISTAL - 28NOV2000
SW/REVISTAL - 28NOV2000	SW/REVISTAL - 28NOV2000	SW/REVISTAL - 28NOV2000	SW/REVISTAL - 28NOV2000
SW/REVISTAL - 28NOV2000	SW/REVISTAL - 28NOV2000	SW/REVISTAL - 28NOV2000	SW/REVISTAL - 28NOV2000

TE Connectivity

HE 1402 PLUG, 180° IDC SINGLE ROW

TEC	FORMA	CAGE CODE	DRAWING NO	RESTRICTED TO REVERSE A

SCALE: 4:1

CUSTOMER DRAWING / PLAN CLIENT / UNREPERT / FOUR REFERENCE / SHEETS: 5 / SHEET / FEUILLE: 1 / REV: - / OF: 1 / C1