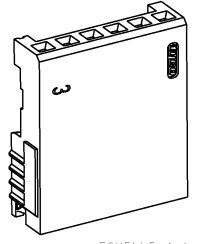
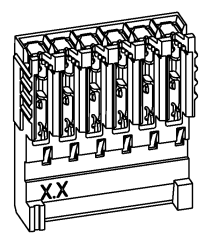
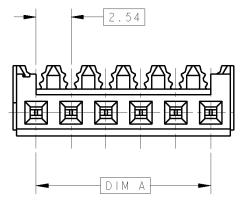


THIS DRAWING IS UNPUBLISHED  
 INFORMATION CONTAINED  
 HEREIN IS UNCLASSIFIED  
 DATE 11/14/01 BY 60322  
 (C) COPYRIGHT BY ALL RIGHTS RESERVED  
 NO REPRODUCTION PERMITTED

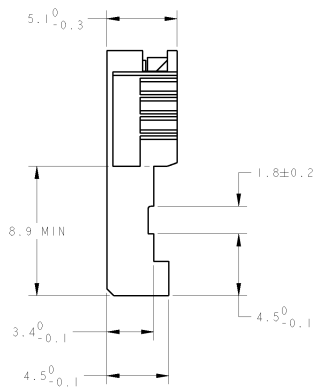
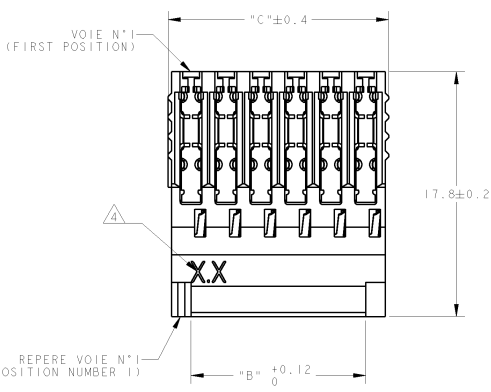
FILS ADMISSIBLES (ACCEPTABLE WIRES)	
JAUGE (AWG) SECTION / 7 BRINS (7 STRANDS)	26-24 0.12-0.22mm <sup>2</sup>
ISOLANT: Ø MAX / MATIERE (INSUL.: Ø MAX / MAT'L)	Ø1.2 / PVC

REVISONS		DATE	SWN	APPD
LOC	DIST	DESCRIPTION	MODIFICATIONS	REVISIONS
F	7	D1	REVISED PER ECO-11-005150	27APR11 RK HMR



ECHELLE 4:1  
SCALE

ECHELLE 4:1  
SCALE



46.52	43.18	18	1-281783-8 *
38.90	35.56	15	1-281783-5 *
31.28	27.94	12	1-281783-2 *
26.20	22.86	10	1-281783-0 *
21.12	17.78	8	0-281783-8 *
16.04	12.70	6	0-281783-6 *
13.50	10.16	5	0-281783-5 *
10.96	7.62	4	0-281783-4 *
8.42	5.08	3	0-281783-3 *
5.88	2.54	2	0-281783-2 *
DIMENSIONS		Nb DE POS	REFERENCES (PART No)
C	A,B		

- |   |   |  |
|---|---|--|
| 1 | CES CONNECTEURS SONT PREVUS POUR ETRE ACCOUPLES AVEC LES EMBASES "HE1402" SIMPLE RANGEE | (THESE CONNECTORS ARE DESIGNED TO BE MATED WITH "HE1402" HEADERS SINGLE ROW)         |
| 2 | LES REFERENCES SUIVIES D'UN " * " SONT LES VERSIONS NORMALISEES SELON LA "CEI 603-8"    | (THE PART-NO FOLLOWED BY " * " ARE COVERED BY THE INTERNATIONAL STANDARD "IEC603-8") |
| △ | REVETEMENT DES CONTACTS: ETAME  | (CONTACTS PLATING: TIN)  |
| △ | "X.X" EST REMPLACE PAR LES DEUX DEUXIEME CHIFFRES DU COUPLE DES JAUGES AWG              | ("X.X" REPLACED BY THE TWO SECOND DIGIT OF AWG RANGE AS DEFINED IN TABLE)            |
| △ | MATIERES - BOITIER: PBT UL94V0<br>- CONTACTS: BRONZE PHOSPHOREUX.                       | (MATERIAL - HOUSING: PBT UL94V0<br>- CONTACTS: PHOSPHOR BRONZE)                      |

DIMENSIONS (mm)		DWG REVISION: 20NOV2000 DWG DATE: 20NOV2000 DWG BY: CORRIOL DWG APPR: 20NOV2000 DWG CHECK: Y. PETRONI PRODUCT SPEC: IDP-15053 APPLICATION SPEC: IDP-15031 SPEC. APPLICATION: [4-15031]		DATE: 27APR11 SHEET: 1 OF 1 SCALE: 1:1 SHEET NO: 1 SHEET TOTAL: 1	
WATER RESISTANT DIMENSIONAL TOLERANCES (UNLESS OTHERWISE SPECIFIED): 0-1.5: ±0.10 1.5-3: ±0.15 3-6: ±0.20 6-12: ±0.30 ANGLES: ±0.5°		CUSTOMER DRAWING / PLAN CLIENT UNDESERT FOUR REFERENCE: 00779 SCALE: 4:1 SHEET: 5 OF 5 REV: D1		TE Connectivity HE 1402 PLUG, 180 deg IDC SINGLE ROW	