

4

3

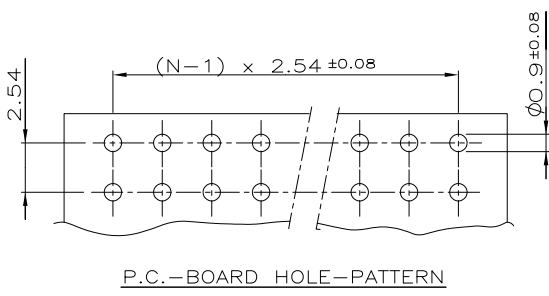
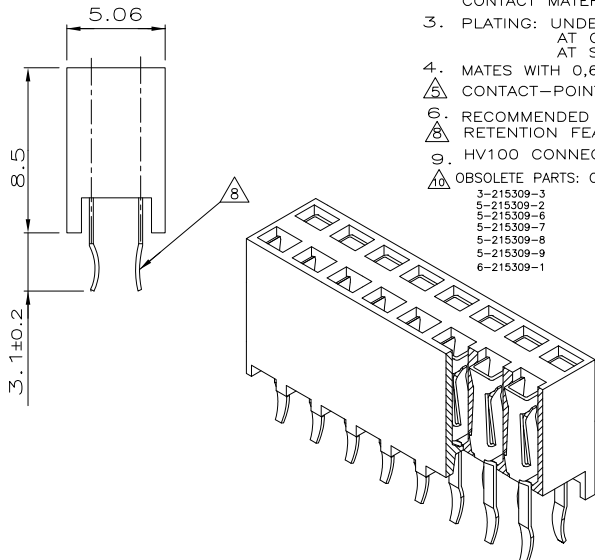
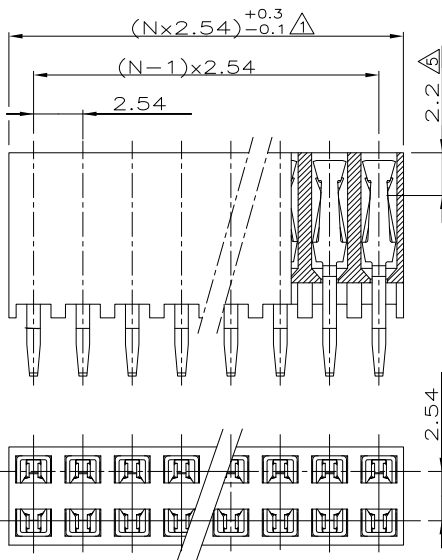
2

1

THIS DRAWING IS UNPUBLISHED.		RELEASED FOR PUBLICATION		METRIC		LOC	DIST	REVISIONS					
COPYRIGHT - By -		ALL RIGHTS RESERVED.						P	LTR	DESCRIPTION	DATE	DWN	APVD
								C4		REVISED PER ECR-11-025934	28DEC11	RK	HMR

- NOTES:
- 1. TO DETERMINE DIMENSIONS TAKE $2 \times N = \text{NR. OF POS.}$.
 FOR EXAMPLE: $2 \times 10 \text{ POS.} = N \times 2,54 = 25,4 \text{ mm.}$
 FOR ORDERNR. USE BASIC NR. + NR. OF POS.
 FOR EXAMPLE: $2 \times 2 \text{ POS.} = 215\ 309-2$ (SHORTEST VERSION)
 $2 \times 36 \text{ POS.} = 3-215\ 309-6$ (LONGEST VERSION)
 - 2. HOUSING MATERIAL: GREEN GLASSFILLED POLYESTER, UL 94V-0
 CONTACT MATERIAL: PHOSPHORBRONZE.
 - 3. PLATING: UNDERCOATING: $1,3 \mu\text{m Ni.}$
 AT CONT.PLACE: $0,8 \mu\text{m Au.}$
 AT SOLDER-TYNES: MIN. $2,5 \mu\text{m Sn.}$
 - 4. MATES WITH $0,63 \text{ SQUARE/ROUND MODU POSTS.}$
 CONTACT-POINT.
 - 5. RECOMMENDED P.C.BOARD-THICKNESS: 1,6.
 - 6. RETENTION FEATURE.
 - 7. HV100 CONNECTOR PACKED IN ANTISTATIC BLISTER
 - 8. OBSOLETE PARTS: OBSOLETE CIS STREAMLINING PER D.RENAUD/D.SINIS

- 3-215309-3
- 5-215309-2
- 5-215309-6
- 5-215309-7
- 5-215309-8
- 5-215309-9
- 6-215309-1



VERWENDET FÜR E 92-9803	SEE NOTES FINISH	SEE NOTES MATERIAL	SEE NOTES PARTNUMBER
----------------------------	---------------------	-----------------------	-------------------------

THIS DRAWING IS A CONTROLLED DOCUMENT.		DWN L.V.D.HEYDEN	09.07.86	TE TE Connectivity	
DIMENSIONS: mm		CHK W.SIMONS	APVD L.v.SOEST		
TOLERANCES UNLESS OTHERWISE SPECIFIED:		PRODUCT SPEC		NAME HV 100 VERTICAL CONNECTOR	
0 PLC	±	APPLICATION SPEC		DUAL ROW, 8,5mm HEIGHT,	
1 PLC	±0.1	WEIGHT		TOP ENTRY, GOLD, MAX. 2X36 POSITIONS	
2 PLC	±	SIZE		CAGE CODE DRAWING NO	
3 PLC	±	CAGE CODE		A3 00779 C-215309	
4 PLC	±	DRAWING NO		RESTRICTED TO	
ANGLES	±	CUSTOMER DRAWING		SCALE 5:1 SHEET 1 OF 1 REV C4	
MATERIAL	FINISH				