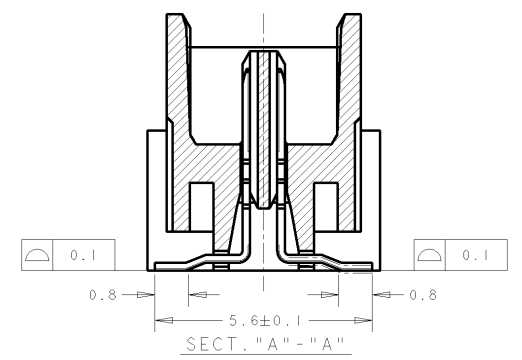
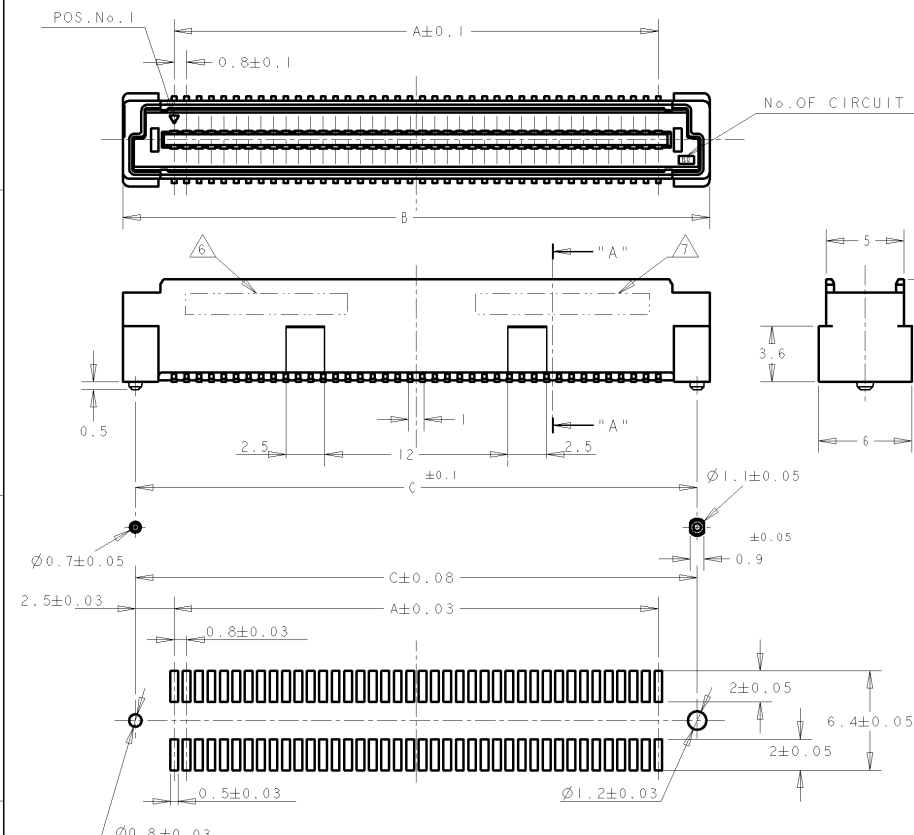


THIS DRAWING IS UNPUBLISHED. RELEASED FOR PUBLICATION
 COPYRIGHT 19 BY - ALL RIGHTS RESERVED.

LOC		DIST		REVISIONS				
F	LTR	DESCRIPTION	DATE	OWN	APVD			
J4		REVISED PER ECO-11-005139	19MAR11	RK	HMR			



- NOTES:
- △ MATERIAL: HOUSING: L.C.P(HIGH TEMP THERMO PLASTIC)
CONTACT: BRASS.
 - △ FINISH: CONTACT AREA: 0.0002 MIN GOLD ON
0.0013 MIN ALL OVER NICKEL.
SOLDERING AREA: 0.001 MIN TIN-LEAD.
 - 3. POSITION SERIES: SEE TABLE.
 - 4. CONN STACK HEIGHT COMBINE OF PLUG "Y" H VS REC "X" H.
STACK HEIGHT = Y + X - 5
 - △ FINISH ; CONTACT AREA: 0.00076 MIN GOLD ON
0.0013 MIN ALL OVER NICKEL.
SOLDERING AREA: 0.001 MIN TIN-LEAD.
 - △ DATE CODE MARKING AT APPROXIMATE LOCATION AS SHOWN
 - △ PART NUMBER MARKING AT APPROXIMATE LOCATION AS SHOWN
 - △ OBSOLETE PARTS: OBSOLETE CIS STREAMLINING PER D.RENAUD/D.SINISI
 - △ OBSOLETE PARTS:

P/N SEE SHEET 2 AND 3 OF 3

DIMENSIONS: mm		TOLERANCES UNLESS OTHERWISE SPECIFIED:		OWN: 30MAR93 T. KUSUHARA		30MAR93		STE TE Connectivity	
		0 PLC ± 1 PLC ±0.1 2 PLC ±0.01 3 PLC ±0.001 4 PLC ±0.0001 ANGLES ± FINISH -		CHK: I. ENOMOTO		APVD: SE LEONG		NAME: PLUG ASSEMBLY 7H TYPE (0.5 BOSS LENGTH) FOR FH 0.8mm PITCH B-T-B CONNECTOR	
MATERIAL: △				PRODUCT SPEC: -		APPLICATION SPEC: -		SIZE: A3	
				WEIGHT: -		CAGE CODE: 00779		DRAWING NO: C-179030	
				CUSTOMER DRAWING		SCALE: 4:1		SHEET 1 OF 3 REV J4	

AMP 1470-19 REV 09MAT94
 P10/ENGINEER DRAWING

4

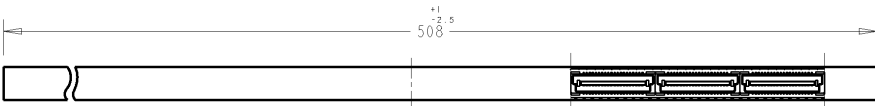
3

2

1

THIS DRAWING IS UNPUBLISHED. RELEASED FOR PUBLICATION .19
 BY - ALL RIGHTS RESERVED.

LOC	DIST	REVISIONS				
F	LTR	DESCRIPTION	DATE	OWN	APVD	
-	-	SEE SHEET 1 OF 3	-	-	-	



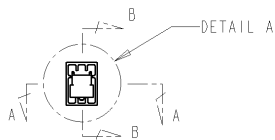
SECT A-A



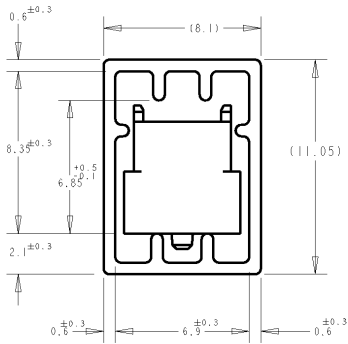
SECT B-B

REFERENCE PICTURE OF TUBE PACK

PLUG ASS'Y (H=5mm, W/STEEL COVER),
 P/N 9-912056-7 0.8mm BTB STACKING CONN



DETAIL A



DETAIL "B"
(SCALE 5-1)

5	84.2	85.8	79.2	200	2-	-0
6	76.2	77.8	71.2	180	1-	-9
6	68.2	69.8	63.2	160	1-	-8
7	64.2	65.8	59.2	150	1-	-7
7	60.2	61.8	55.2	140	1-	-6
9	52.2	53.8	47.2	120	1-	-5
10	44.2	45.8	39.2	100	1-	-4
12	36.2	37.8	31.2	80	1-	-3
16	28.2	29.8	23.2	60	1-	-2
22	20.2	21.8	15.2	40	1-	-1
5	84.2	85.8	79.2	200	1-	-0
6	76.2	77.8	71.2	180		-9
6	68.2	69.8	63.2	160		-8
7	64.2	65.8	59.2	150	1-	-7
7	60.2	61.8	55.2	140		-6
9	52.2	53.8	47.2	120		-5
10	44.2	45.8	39.2	100		-4
12	36.2	37.8	31.2	80		-3
16	28.2	29.8	23.2	60		-2
22	20.2	21.8	15.2	40		-1
				179030-1		
FINISH	QTY/TUBE	C	B	A	POS.	CONN P/N

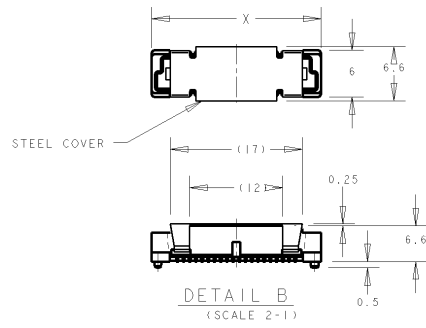
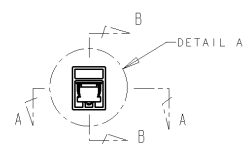
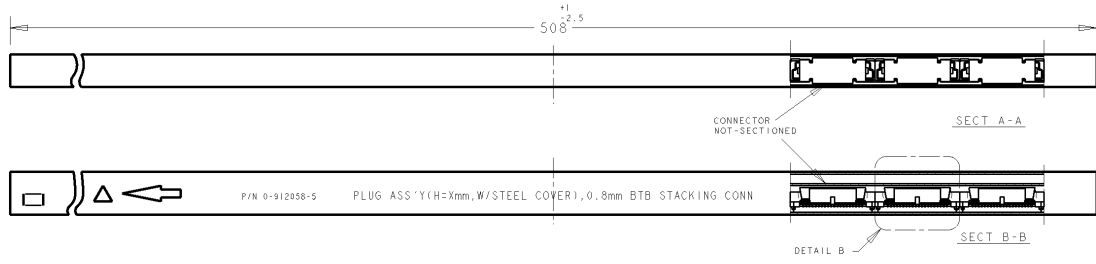
DIMENSIONS: mm		TOLERANCES UNLESS OTHERWISE SPECIFIED: 0 PLC ± 1 PLC ±0.2 2 PLC ±0.25 3 PLC ±0.3 4 PLC ± ANGLES ± FINISH		DWN T. KUSUHARA 30MAR93 CHK I. ENOMOTO 30MAR93 APVD SF LEONG PRODUCT SPEC APPLICATION SPEC WEIGHT CUSTOMER DRAWING	STE TE Connectivity NAME PLUG ASSEMBLY 7H TYPE (0.5 BOSS LENGTH) FOR FH 0.8mm PITCH B-T-B CONNECTOR SIZE A3 CAGE CODE 00779 DRAWING NO. C-179030 SCALE 4:1 SHEET 2 OF 3 REV J4
-------------------	--	---	--	--	---

AMP 1470-19 REV 09M194

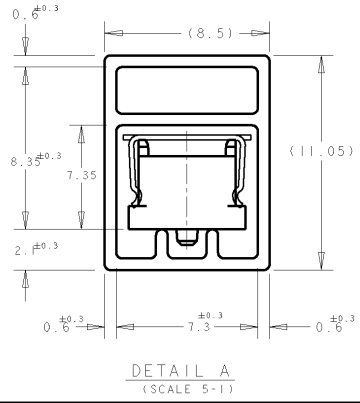
PROJ. NO. 593-312

THIS DRAWING IS UNPUBLISHED. RELEASED FOR PUBLICATION .19 .
 BY - ALL RIGHTS RESERVED.

LOC	DIST	REVISIONS					
DY	-	F	LTR	DESCRIPTION	DATE	DWN	APVD
		SEE SHEET 1					



PLUG TUBE ASSY WITH STEEL COVER FOR FH 0.8 B-T-B CONNECTOR



WITH STEEL COVER	5	85.8	200	3-	-0
	6	77.8	180	2-	-9
	6	69.8	160	△	→
	7	65.8	150	△	→
	7	61.8	140	△	→
	9	53.8	120	△	→
	10	45.8	100	△	→
	12	37.8	80	△	→
	16	29.8	60	△	→
	22	21.8	40	△	→
REMARKS	FINISH	QTY/TUBE	X	POS.	CONN P/N

DIMENSIONS: mm		TOLERANCES UNLESS OTHERWISE SPECIFIED:		DWN WYLEE 2AUG04		ERIC TING		APVD SEIFONG		NAME		STE TE Connectivity	
0 PLC	±	1 PLC	±0.20	PRODUCT SPEC		APPLICATION SPEC		SIZE		CAGE CODE		DRAWING NO	
2 PLC	±0.25	3 PLC	±0.30	MATERIAL		FINISH		A3		00779		C-179030	
4 PLC	±	ANGLES	±	CUSTOMER DRAWING		SCALE		1:1		SHEET		3 of 3 REV J4	

AMP 1470-19 REV 09M194