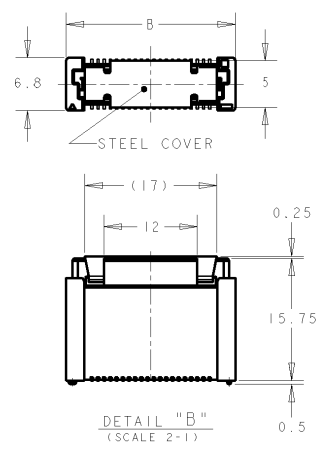
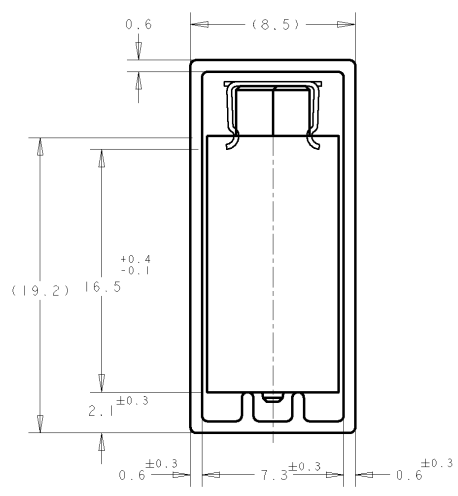
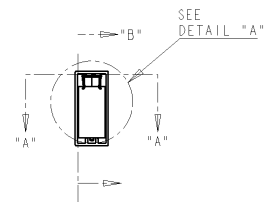
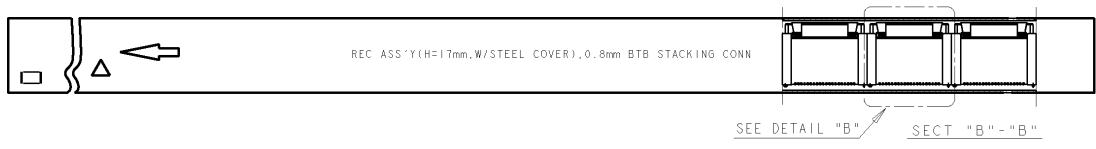
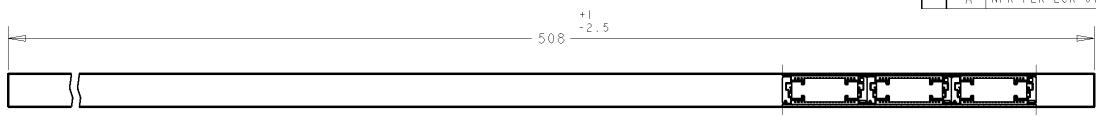


PROJ No. 593-312

THIS DRAWING IS UNPUBLISHED.		RELEASED FOR PUBLICATION		LOC		DIST		REVISIONS					
COPYRIGHT 19		BY AMP INCORPORATED. ALL RIGHTS RESERVED.		DY		-		F	LTR	DESCRIPTION	DATE	OWN	APVD
								A	NPR	PER ECR-07-016156	03SEP07	SYJ	LSF



- NOTES:
- MATERIALS:  
HOUSING: L.C.P (HIGH TEMP THERMO-PLASTIC)  
UL 94V-0, NATURAL.  
CONTACT: COPPER ALLOY.
  - FINISH:  
ENGAGEMENT AREA: 0.0002 MIN GOLD  
SOLDERING AREA: 0.002 MIN MATTE TIN  
UNDERCOAT: 0.0013 MIN NICKEL ALL OVER
  - FINISH:  
ENGAGEMENT AREA: 0.00076 MIN GOLD  
SOLDERING AREA: 0.002 MIN MATTE TIN  
UNDERCOAT: 0.0013 MIN NICKEL ALL OVER
  - POSITION SERIES: SEE P/N TABLE ON SHEET 3.
  - CONNECTOR MATED STACKED HEIGHT IS COMBINATION OF PLUG HEIGHT "Y" AND REC HEIGHT "X", LESS 5 mm.  
STACKED HEIGHT = Y + X - 5
  - THIS DRAWING 1735481 DESCRIBES CONNECTORS P/N X-1735480-X WITH STEEL COVER IN TUBE PACKAGING.
- CONNECTOR DIMENSIONS (ON SHEET 2) AND RECOMMENDED P.C. BOARD LAYOUT (ON SHEET 3) ARE REFERENCED FROM DRAWING NO. 1735480.

DETAIL "A"  
(SCALE 5-1)

THIS DRAWING IS A CONTROLLED DOCUMENT FOR AMP INCORPORATED. IT IS SUBJECT TO CHANGE AND THE ORIGINAL DRAWING OR ORGANIZATION SHOULD BE CONTACTED FOR THE LATEST REVISION.		OWN	10 JUL 07	Tyco Electronics Singapore	
DIMENSIONS:		CHK	WYLEE	NAME	
mm	TOLERANCES UNLESS OTHERWISE SPECIFIED:	APVD	YJ SEE	RECEPTACLE 17mm HEIGHT FH 0.8mm PITCH B-T-B CONNECTOR WITH STEEL COVER, IN TUBE	
0 PLC	±	PRODUCT SPEC	108-5390	SIZE	CAGE CODE
1 PLC	±0.30	APPLICATION SPEC	114-5254	A3	00779
2 PLC	±0.25	WEIGHT	-	DRAWING NO	
3 PLC	±0.20	CUSTOMER DRAWING		C-1735481	
4 PLC	±	SCALE		SHEET	
ANGLES	±°	1:1		1 of 3	
FINISH	2 3	REV		A	

4

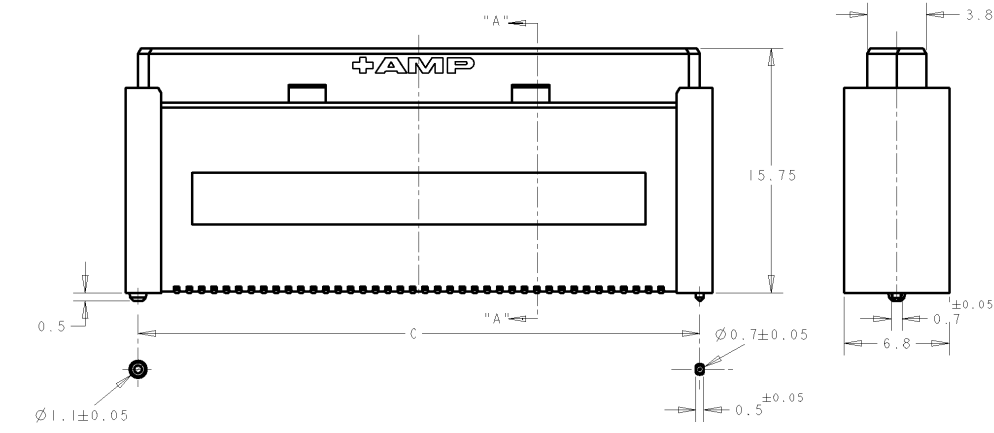
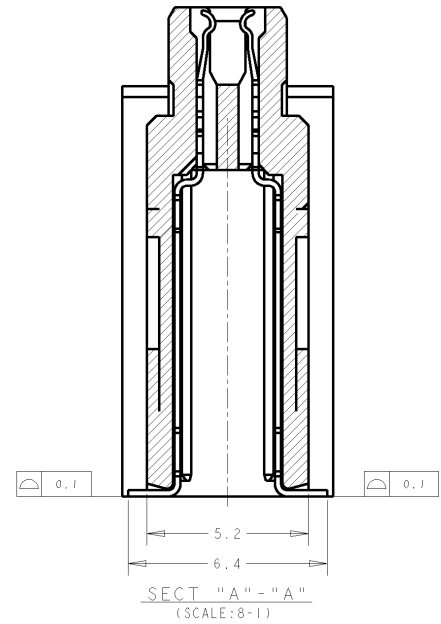
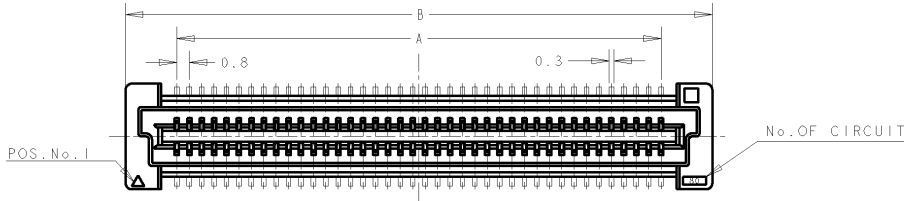
3

2

1

THIS DRAWING IS UNPUBLISHED. RELEASED FOR PUBLICATION .19 . . .  
 COPYRIGHT 19 BY AMP INCORPORATED. ALL RIGHTS RESERVED.

LOC		DIST		REVISIONS			
F	LTR	DESCRIPTION	DATE	OWN	APVD		
DY	-						



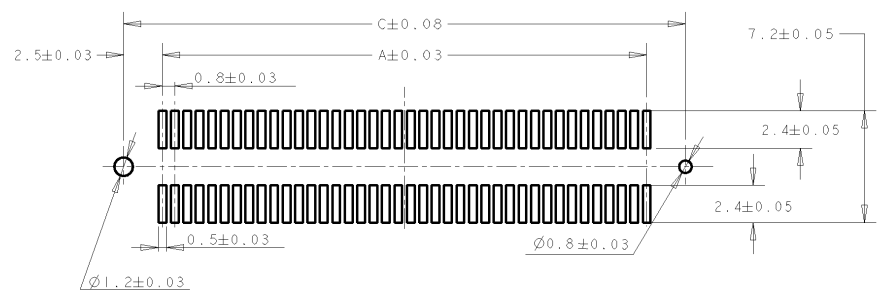
CONNECTOR DIMENSIONS REFERENCED FROM DRAWING NO. 1735480.

<small>THIS DRAWING IS A CONTROLLED DOCUMENT FOR AMP INCORPORATED          IT IS SUBJECT TO CHANGE AND THE CONFORMING MANUFACTURING          ORGANIZATION SHOULD BE CONTACTED FOR THE LATEST REVISION.</small>		DWN 10JUL2007 CHK WYLEE YJ SEE APVD SF LEONG	<b>Tyco Electronics</b> Tyco Electronics Corporation Singapore
DIMENSIONS: mm 	TOLERANCES UNLESS OTHERWISE SPECIFIED: 0 PLC ± 1 PLC ±0.30 2 PLC ±0.25 3 PLC ±0.20 4 PLC ± ANGLES ±° FINISH -	NAME RECEPTACLE 17mm HEIGHT FH 0.8mm PITCH B-T-B CONNECTOR WITH STEEL COVER, IN TUBE PRODUCT SPEC SEE SHEET 1 APPLICATION SPEC SEE SHEET 1	SIZE A3 CAGE CODE 00779 DRAWING NO. C-1735481
MATERIAL -	FINISH -	WEIGHT -	CUSTOMER DRAWING SCALE 4:1 SHEET 2 OF 3 REV A

AMP 1470-19 REV 09MAT94

THIS DRAWING IS UNPUBLISHED. RELEASED FOR PUBLICATION . . . . .  
 COPYRIGHT 19 BY AMP INCORPORATED. ALL RIGHTS RESERVED.

LOC	DIST	REVISIONS			
F	LTR	DESCRIPTION	DATE	OWN	APVD



RECOMMENDED P.C. BOARD LAYOUT  
 (REFERENCED FROM DRAWING NO. 1735480.)

CONTACT FINISH	QTY/TUBE	C	B	A	CONN. P/N	POS.	PART NO.	
30 u" Au - Sn 3	5	84.20	85.8	79.20	8-1735480-0	200	3-1735481-0	
	6	76.20	77.8	71.20	7-1735480-9	180	2-1735481-9	
	6	68.20	69.8	63.20	7-1735480-8	160	2-1735481-8	
	7	64.20	65.8	59.20	7-1735480-7	150	2-1735481-7	
	7	60.20	61.8	55.20	7-1735480-6	140	2-1735481-6	
	9	52.20	53.8	47.20	7-1735480-5	120	2-1735481-5	
	10	44.20	45.8	39.20	7-1735480-4	100	2-1735481-4	
	12	36.20	37.8	31.20	7-1735480-3	80	2-1735481-3	
	16	28.20	29.8	23.20	7-1735480-2	60	2-1735481-2	
	22	20.20	21.8	15.20	7-1735480-1	40	2-1735481-1	
	08 u" Au - Sn 2	5	84.20	85.8	79.20	6-1735480-0	200	1-1735481-0
		6	76.20	77.8	71.20	5-1735480-9	180	1735481-9
6		68.20	69.8	63.20	5-1735480-8	160	1735481-8	
7		64.20	65.8	59.20	5-1735480-7	150	1735481-7	
7		60.20	61.8	55.20	5-1735480-6	140	1735481-6	
9		52.20	53.8	47.20	5-1735480-5	120	1735481-5	
10		44.20	45.8	39.20	5-1735480-4	100	1735481-4	
12		36.20	37.8	31.20	5-1735480-3	80	1735481-3	
16		28.20	29.8	23.20	5-1735480-2	60	1735481-2	
22		20.20	21.8	15.20	5-1735480-1	40	1735481-1	

<small>THIS DRAWING IS A CONTROLLED DOCUMENT FOR AMP INCORPORATED          IT IS SUBJECT TO CHANGE AND THE ORIGINAL DRAWING/REVISED ORGANIZATION SHOULD BE CONTACTED FOR THE LATEST REVISION.</small>		DWN: WYLEE 10 JUL 2007 CHK: YJ SEE APVD: SE LEONG	<b>Tyco Electronics</b> Tyco Electronics Corporation Singapore
DIMENSIONS: mm	TOLERANCES UNLESS OTHERWISE SPECIFIED: 0 PLC ± 1 PLC ±0.30 2 PLC ±0.25 3 PLC ±0.20 4 PLC ± ANGLES ±° FINISH -	NAME: RECEPTACLE 17mm HEIGHT FH 0.8mm PITCH B-T-B CONNECTOR WITH STEEL COVER, IN TUBE	SIZE: A3 CAGE CODE: 00779 DRAWING NO: C-1735481
MATERIAL: -	FINISH: -	APPLICATION SPEC: SEE SHEET 1 WEIGHT: - CUSTOMER DRAWING	
		SCALE: 4:1 SHEET: 3 OF 3 REV: A	

AMP 1470-19 REV 09MAY94