

4

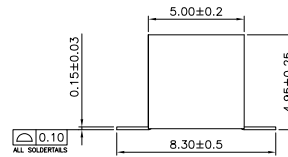
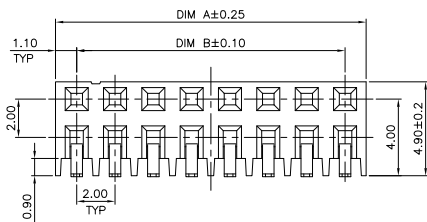
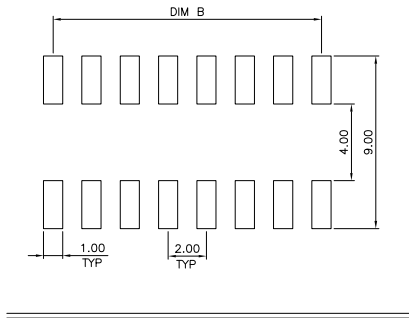
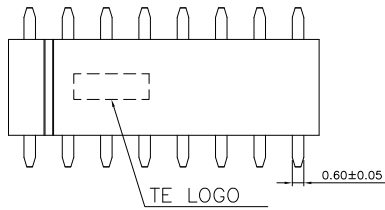
3

2

1

THIS DRAWING IS UNPUBLISHED. RELEASED FOR PUBLICATION APR. 2006.
 COPYRIGHT 2009 By - ALL RIGHTS RESERVED.

LOC	DIST	REVISIONS				
P	LTR	DESCRIPTION	DATE	DWN	APVD	
B		RELEASED AS PER ECR-09-017658	06AUG2009	SRE	PCH	
B1		ECR-10-026537	22JAN11	KK	HMR	



48.00	50.20	50	5-1734606-0	
46.00	48.20	48	4-1734606-8	
44.00	46.20	46	4-1734606-6	
42.00	44.20	44	4-1734606-4	
40.00	42.20	42	4-1734606-2	
38.00	40.20	40	4-1734606-0	
36.00	38.20	38	3-1734606-8	
34.00	36.20	36	3-1734606-6	
32.00	34.20	34	3-1734606-4	
30.00	32.20	32	3-1734606-2	
28.00	30.20	30	3-1734606-0	
26.00	28.20	28	2-1734606-8	
24.00	26.20	26	2-1734606-6	
22.00	24.20	24	2-1734606-4	
20.00	22.20	22	2-1734606-2	
OBSOLETE	18.00	20.20	20	2-1734606-0
	16.00	18.20	18	1-1734606-8
	14.00	16.20	16	1-1734606-6
OBSOLETE	12.00	14.20	14	1-1734606-4
	10.00	12.20	12	1-1734606-2
	8.00	10.20	10	1-1734606-0
	6.00	8.20	8	0-1734606-8
	4.00	6.20	6	0-1734606-6
	2.00	4.20	4	0-1734606-4
DIM B	DIM A	NO. OF	PART NUMBER	
DIMENSIONS		POS.		

NOTE :

△ MATERIAL :
 HOUSING: THERMOPLASTIC, UL 94V-0, BLACK COLOR.
 CONTACT: PHOSPHOR BRONZE, THICKNESS=0.2mm.

△ FINISH:

10μ" MIN. GOLD PLATED ON CONTACT AREA,
 100μ" MIN. BRIGHT TIN PLATED ON SOLDER TAIL,
 50μ" MIN. NICKEL UNDERPLATED OVER ALL.

3. REFLOW SOLDER CAPABLE TO 245°C PER TE 109-202,
 CONDITION A4.

4. QUALIFICATION TEST REPORT: 501-57197.

THIS DRAWING IS A CONTROLLED DOCUMENT.		DWN O.HU 17-APR-2006	STE TE Connectivity	
DIMENSIONS: mm		CHK S.HOU 17-APR-2006		
TOLERANCES UNLESS OTHERWISE SPECIFIED:		APVD W.J.KE 17-APR-2006	NAME	
0 PLC ± -		PRODUCT SPEC	AMPMODU,2.0mm PITCH RIGHT ANGLE,SMT TYPE	
1 PLC ± 0.30		108-57197	SIZE	
2 PLC ± 0.20		APPLICATION SPEC	CAGE CODE	DRAWING NO
3 PLC ± 0.10			00779	1734606
4 PLC ± -		WEIGHT	RESTRICTED TO	
ANGLES ± 0°			-	
MATERIAL	FINISH	CUSTOMER DRAWING		
1	2	SCALE	SHEET	REV
		-	1 of 2	B1

4

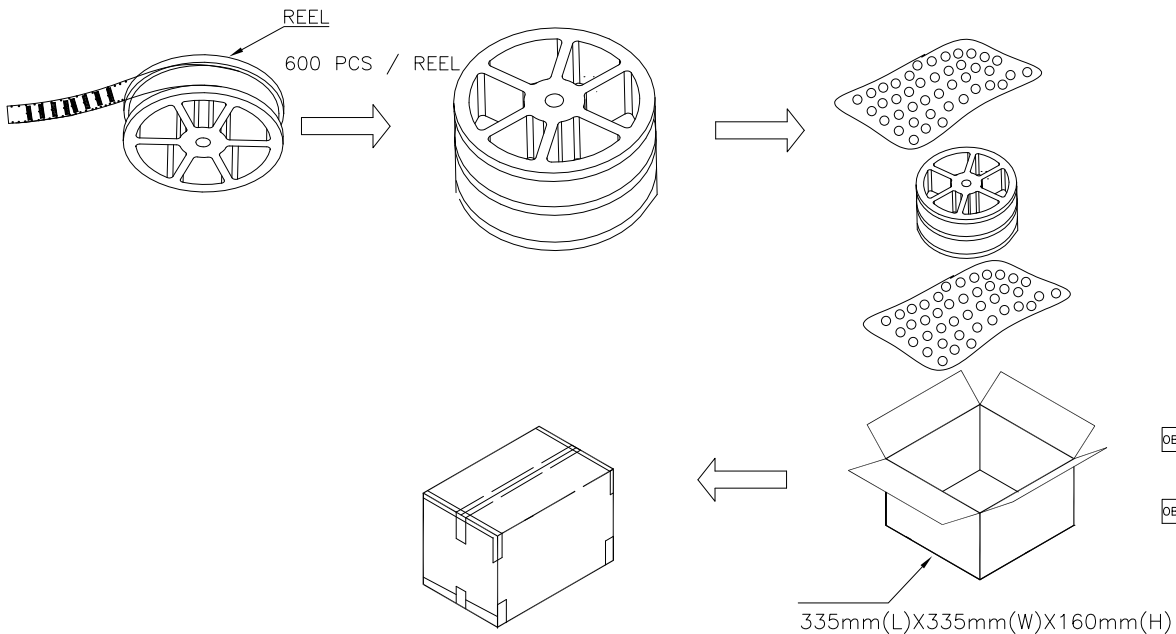
3

2

1

THIS DRAWING IS UNPUBLISHED. RELEASED FOR PUBLICATION APR. 2006.
 © COPYRIGHT 2009 By - ALL RIGHTS RESERVED.

LOC	DIST	REVISIONS			
P	LTR	DESCRIPTION	DATE	DWN	APVD
SEE SHEET 1.					



2	50	5-1734606-0	
2	48	4-1734606-8	
2	46	4-1734606-6	
2	44	4-1734606-4	
2	42	4-1734606-2	
2	40	4-1734606-0	
2	38	3-1734606-8	
2	36	3-1734606-6	
3	34	3-1734606-4	
3	32	3-1734606-2	
3	30	3-1734606-0	
3	28	2-1734606-8	
3	26	2-1734606-6	
3	24	2-1734606-4	
4	22	2-1734606-2	
OBSOLETE	4	20	2-1734606-0
4	18	1-1734606-8	
4	16	1-1734606-6	
OBSOLETE	4	14	1-1734606-4
4	12	1-1734606-2	
5	10	1-1734606-0	
5	8	0-1734606-8	
5	6	0-1734606-6	
5	4	0-1734606-6	
B	NO. OF	PART NUMBER	
QTY	POS.		

335mm(L)X335mm(W)X160mm(H)

THIS DRAWING IS A CONTROLLED DOCUMENT.		DWN O.HU 17-APR-2006	TE Connectivity	
DIMENSIONS: mm		CHK S.HOU 17-APR-2006		
TOLERANCES UNLESS OTHERWISE SPECIFIED:		APVD W.J.KE 17-APR-2006	NAME AMPMODU,2.0mm PITCH RIGHT ANGLE,SMT TYPE	
0 PLC ± - 1 PLC ± 0.30 2 PLC ± 0.20 3 PLC ± 0.10 4 PLC ± - ANGLES ± 0°		PRODUCT SPEC 108-57197	RESTRICTED TO	
MATERIAL SEE SHEET 1		APPLICATION SPEC	SIZE A3	CAGE CODE -
FINISH SEE SHEET 1		WEIGHT -	DRAWING NO C-1734606	SCALE -
CUSTOMER DRAWING			SHEET 2 of 2	REV B1