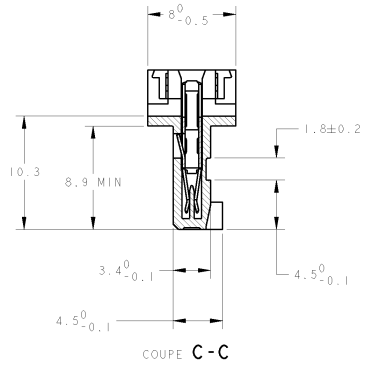
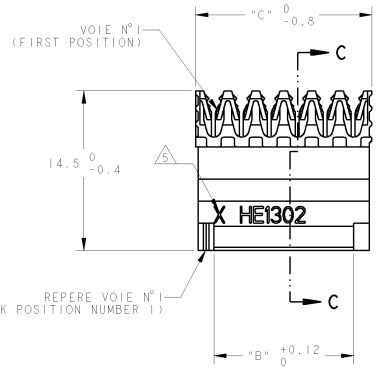
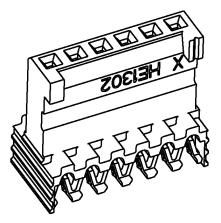
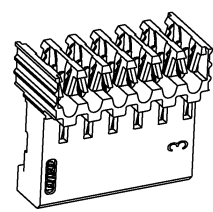
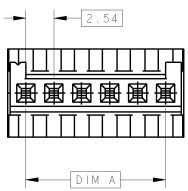


NOT DRAWING TO BE PUBLISHED
 SUPERSEDES ALL PREVIOUS EDITIONS
 (C) COPYRIGHT

FILS ADMISSIBLES (ACCEPTABLE WIRES)	
GAUGE (AWG) SECTION / 7 BRINS (7 STRANDS)	24 0.22mm ²
ISOLANT: Ø MAX / MATIERE (INSUL.: Ø MAX / MAT'L)	Ø 1.2 / PVC

LOC	DIST	REVISIONS	DESCRIPTION	DATE	SWR	APPD
F	7	E1	REVISED PER ECO-11-005150	19APR11	RK	HMR



OBSELETE	25	21.12	17.78	8	0-281709-8 *	0-144273-8 *
OBSELETE	30	18.58	15.24	7	0-281709-7	0-144273-7
OBSELETE	35	16.04	12.70	6	0-281709-6 *	0-144273-6 *
OBSELETE	40	13.50	10.16	5	0-281709-5 *	0-144273-5 *
OBSELETE	50	10.96	7.62	4	0-281709-4 *	0-144273-4 *
OBSELETE	70	8.42	5.08	3	0-281709-3 *	0-144273-3 *
OBSELETE	100	5.88	2.54	2	0-281709-2	0-144273-2
OBSELETE	12	46.52	43.18	18	1-281709-8 *	1-144273-8 *
OBSELETE	13	45.00	40.86	17	0-281709-7	0-144273-7
OBSELETE	14	43.48	38.54	16	0-281709-6 *	0-144273-6 *
OBSELETE	15	38.90	35.56	15	1-281709-5 *	1-144273-5 *
OBSELETE	16	36.26	33.82	14	0-281709-4	0-144273-4
OBSELETE	17	35.02	33.02	13	0-281709-3	0-144273-3
OBSELETE	18	31.28	27.94	12	1-281709-2 *	1-144273-2 *
OBSELETE	19	28.74	25.40	11	0-281709-1	0-144273-1
OBSELETE	20	26.20	22.86	10	1-281709-0 *	1-144273-0 *
OBSELETE	21	24.68	20.32	9	0-281709-9	0-144273-9
OBSELETE	22	21.12	17.78	8	0-281709-8 *	0-144273-8 *
OBSELETE	23	18.58	15.24	7	0-281709-7	0-144273-7
OBSELETE	24	16.04	12.70	6	0-281709-6 *	0-144273-6 *
OBSELETE	25	13.50	10.16	5	0-281709-5 *	0-144273-5 *
OBSELETE	26	10.96	7.62	4	0-281709-4 *	0-144273-4 *
OBSELETE	27	8.42	5.08	3	0-281709-3 *	0-144273-3 *
OBSELETE	28	5.88	2.54	2	0-281709-2	0-144273-2

- 1 CES CONNECTEURS SONT PREVUS POUR ETRE ACCOUPLES AVEC LES EMBASES "HE1302" SIMPLE RANGEE
 - 2 LES REFERENCES SUIVIES D'UN " * " SONT LES VERSIONS NORMALISEES SELON LA "CEI 603-8"
- △ REVETEMENT DES CONTACTS: 0.4µm OR DANS LA ZONE DE CONTACT, ETAIN SUR SORTIE CAD, SOUS-COUCHE NICKEL
 - △ CONNECTEURS CONDITIONNES SOUS TUBE PVC
 - △ " X " EST REMPLACE PAR LE DEUXIEME CHIFFRE DES JAUGES AWG
 - △ MATERIAUX - BOITIER: PBT UL 94V0 - CONTACTS: BRONZE PHOSPHOREUX

- (THESE CONNECTEURS ARE DESIGNED TO BE MATED WITH "HE1302" HEADERS SINGLE ROW)
- (THE PART-NO FOLLOWED BY " * " ARE COVERED BY THE INTERNATIONAL STANDARD "IEC 603-8")
- (CONTACTS PLATING: 0.4µm GOLD ON CONTACT AREA, TIN ON I.D. BARREL AREA, NICKEL UNDER-PLATING)
- (THESE CONNECTEURS ARE PACKAGED IN TUBE)
- (" X " REPLACED BY THE SECOND DIGIT OF AWG AS DEFINED IN TABLE)
- (MATERIALS - CASE: PBT UL 94V0 - CONTACTS: PHOSPHOR BRONZE)

DIMENSIONS (mm)		DRAWING NO: 1-NOV2000		REVISED: 1-NOV2000		DATE: 1-NOV2000			
TOLERANCES UNLESS OTHERWISE SPECIFIED (DIMENSIONS IN MILLIMETERS)		DRAWING NO: 1-NOV2000		REVISED: 1-NOV2000		DATE: 1-NOV2000		HE1302 PLUG, 90deg IDC SINGLE ROW	
MATERIAL: PBT/UL94V0		DRAWING NO: 1-NOV2000		REVISED: 1-NOV2000		DATE: 1-NOV2000		SHEET NO: 1 OF 1 SCALE: 1:1 SHEET SIZE: A2	
FINISH: POLISHED		DRAWING NO: 1-NOV2000		REVISED: 1-NOV2000		DATE: 1-NOV2000		CUSTOMER DRAWING / PLAN CLIENT UN QUERTY / FOUR REFERENCE SCALE: 1:1 SHEET NO: 1 OF 1 SHEET SIZE: A2	