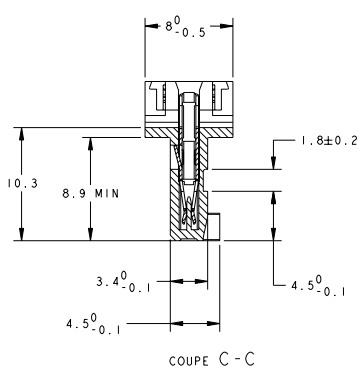
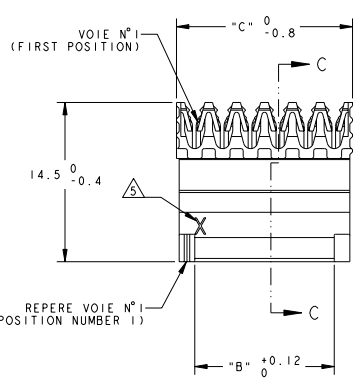
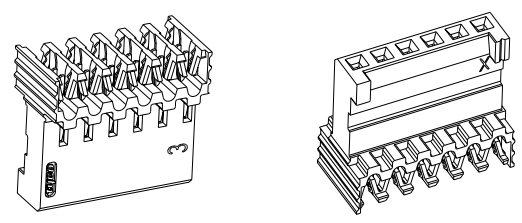
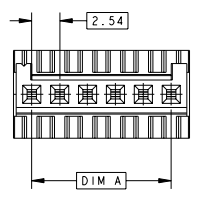


THIS DRAWING IS UNPUBLISHED.
 DIVISION OF PUBLISHED
 INFORMATION.
 ALL RIGHTS RESERVED.
 1988, 2000, 2001, 2002, 2003, 2004, 2005, 2006, 2007, 2008, 2009, 2010, 2011, 2012, 2013, 2014, 2015, 2016, 2017, 2018, 2019, 2020, 2021, 2022, 2023, 2024, 2025

FILS ADMISSIBLES (ACCEPTABLE WIRES)	
GAUGE (AWG) SECTION / 7 BRINS (7 STRANDS)	26 0.12mm ²
ISOLANT: Ø MAX / MATIERE (INSUL.: Ø MAX / MAT'L)	Ø I / PVC

LOC	DISP	REV	DESCRIPTION	DATE	DRW	APP
F	7	BZ	REVISED PER ECO-11-005150	20MAR2011	RK	HMR



QTY	UNIT	DESCRIPTION	DATE	REV	DRW	APP
9		64.30	60.96	25	2-281711-5	2-144271-5
9		61.76	58.42	24	2-281711-4	2-144271-4
10		59.22	55.88	23	2-281711-3	2-144271-3
10		56.68	53.34	22	2-281711-2	2-144271-2
10		54.14	50.80	21	2-281711-1	2-144271-1
11		51.60	48.26	20	2-281711-0	2-144271-0
12		49.06	45.72	19	1-281711-9	1-144271-9
12		46.52	43.18	18	1-281711-8	1-144271-8
13		43.98	40.64	17	1-281711-7	1-144271-7
14		41.44	38.10	16	1-281711-6	1-144271-6
15		38.90	35.56	15	1-281711-5	1-144271-5
16		36.36	33.02	14	1-281711-4	1-144271-4
17		33.82	30.48	13	1-281711-3	1-144271-3
18		31.28	27.94	12	1-281711-2	1-144271-2
20		28.74	25.40	11	1-281711-1	1-144271-1
20		26.20	22.86	10	1-281711-0	1-144271-0
25		23.66	20.32	9	0-281711-9	0-144271-9
25		21.12	17.78	8	0-281711-8	0-144271-8
30		18.58	15.24	7	0-281711-7	0-144271-7
35		16.04	12.70	6	0-281711-6	0-144271-6
40		13.50	10.16	5	0-281711-5	0-144271-5
50		10.96	7.62	4	0-281711-4	0-144271-4
70		8.42	5.08	3	0-281711-3	0-144271-3
100		5.88	2.54	2	0-281711-2	0-144271-2

- 1 CES CONNECTEURS SONT PREVUS POUR ETRE ACCOUPLES AVEC LES EMBASES "HE1402" SIMPLE RANGEE (THESE CONNECTEURS ARE DESIGNED TO BE MATED WITH "HE1402" HEADERS SINGLE ROW)
- 2 LES REFERENCES SUIVIES D'UN " " SONT LES VERSIONS NORMALISEES SELON LA "CEI 603-8" (THE PART-NO FOLLOWED BY " " ARE COVERED BY THE INTERNATIONAL STANDARD "IEC 603-8")
- 3 REVETEMENT DES CONTACTS: ETAIN SANS PLOMB (THE CONTACTS ARE TIN PLATED LEAD FREE)
- 4 CONNECTEURS CONDITIONNES SOUS TUBE PVC (THESE CONNECTEURS ARE PACKAGED IN TUBE)
- 5 " X " EST REMPLACE PAR LE DEUXIEME CHIFFRE DES JAUGES AWG (" X " REPLACED BY THE SECOND DIGIT OF AWG AS DEFINED IN TABLE)
- 6 MATIERES - BOITIER: PBT UL94V0 (MATERIALS - CASE: PBT UL94V0)
 - CONTACTS: BRONZE PHOSPHOREUX (CONTACTS: PHOSPHOR BRONZE)
- 7 OBSOLETE PARTS: OBSOLETE CIS STREAMLINING PER D.RENAUD/D.SINISI

THIS DRAWING IS A CONTROLLED DOCUMENT. DATE: 11 NOV 2000
 CDR: J. CORBIOL
 APPROVED: 11 NOV 2000
 DIMENSIONS: mm
 TOLERANCES UNLESS OTHERWISE SPECIFIED:
 1 PLC (DEC: 20.3)
 2 PLC (DEC: 2)
 3 PLC (DEC: 2)
 4 PLC (DEC: 2)
 ANGLE: 45°
 MATERIAL: MATIERE
 FINISH: 3
 APPLICATION SPEC: SPEC. APPLICATION: 14-15030
 WITHOUT APPROVAL: -
 CUSTOMER DRAWING / PLAN CLIENT
 UNIQUE REFERENCE: 200779
 SCALE: 4:1
 SHEET: 1 OF 1
 REV: B2
 REFERENCES (PART No)
 VRAC (L.P.)
 HE 1402 PLUG
 90deg IDC SINGLE ROW