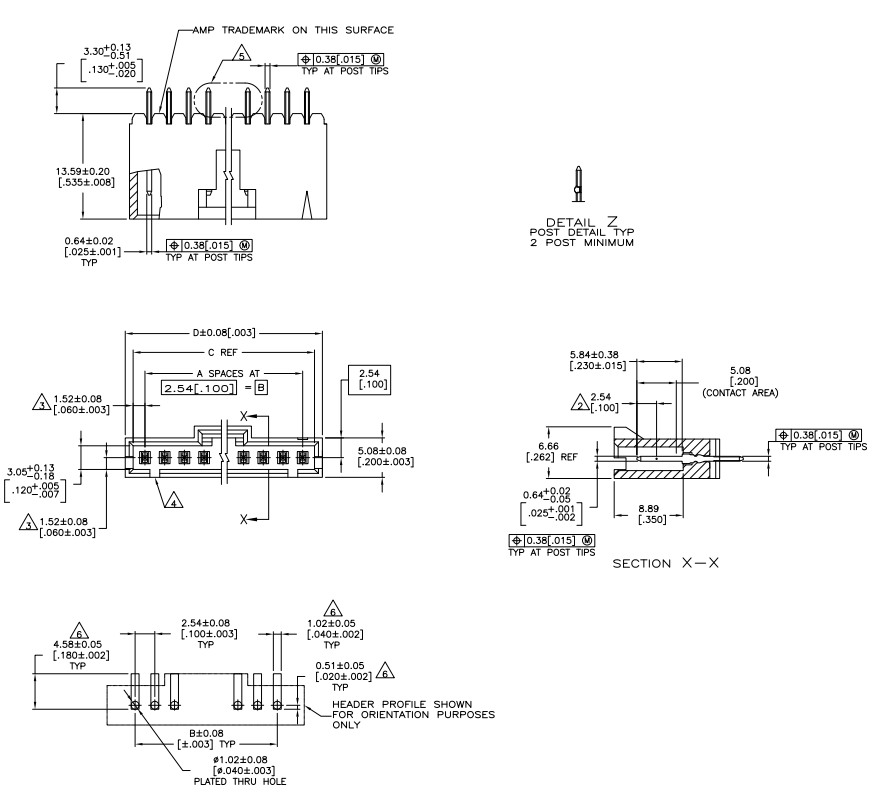


THIS DRAWING IS UNAPPROVED FOR REVISIONS UNLESS NOTED OTHERWISE BY THE DRAWING ENGINEER  
 © AMP ELECTRONICS CORPORATION ALL RIGHTS RESERVED

REV	DESCRIPTION	DATE	BY	CHKD
00	EC 003C 0789 04			
01	REVISED PER ECO-09-020689			



DETAIL Z  
 POST DETAIL TYP  
 Z POST MINIMUM

RECOMMENDED PC BOARD MOUNTING DIMENSIONS  
 RECOMMENDED STENCIL THICKNESS = 0.25[.010]

- △ 0.00038[.000015] GOLD IN THE CONTACT AREA, 0.00254-0.00508[.000100-.000200] MATTE TIN LEAD ON THE SOLDER TAIL, ALL OVER 0.00127[.000050] NICKEL
- △ POINT OF MEASUREMENT FOR PLATING THICKNESS
- △ THE NOTED DIMENSIONS APPLY FROM THE BASIC DIMENSION LINE (NOT THE POST CENTERLINE) TO THE SURFACE INDICATED
- △ ONE POLARIZATION SLOT FOR 2 POSITION ASSEMBLY ONLY.
- △ HOLD DOWN UNTIL SOLDERED, CONFIGURATION ACCEPTS 0.69-2.03[.027-.080] THICK PRINTED CIRCUIT BOARD (SEE DETAIL Z)
- △ DIMENSIONS NOTED ARE FOR SOLDER STENCIL LAYOUT FOR USE WITH 1.57±0.20[.062±.008] THICK PRINTED CIRCUIT BOARDS.
- 7. PARTS ARE PACKAGED IN GANG OF TUBES
- △ 0.00038[.000015] GOLD IN THE CONTACT AREA, 0.00254-0.00508[.000100-.000200] MATTE TIN ON THE SOLDER TAIL, ALL OVER 0.00127[.000050] NICKEL
- △ OBSOLETE PARTS: OBSOLETE CIS STREAMLINING PER D.RENAUD/D.SINISI

△ 66.04	64.01	60.96	24	25	7-104909-4
△ 63.50	61.47	58.42	23	24	7-104909-3
△ 60.96	58.93	55.88	22	23	7-104909-2
△ 58.42	56.39	53.34	21	22	7-104909-1
△ 55.88	53.85	50.80	20	21	7-104909-0
△ 53.34	51.31	48.26	19	20	6-104909-9
△ 50.80	48.77	45.72	18	19	6-104909-8
△ 48.26	46.23	43.18	17	18	6-104909-7
△ 45.72	43.69	40.64	16	17	6-104909-6
△ 43.18	41.15	38.1	15	16	6-104909-5
△ 40.64	38.61	35.56	14	15	6-104909-4
△ 38.1	36.07	33.02	13	14	6-104909-3
△ 35.56	33.53	30.48	12	13	6-104909-2
△ 33.02	30.99	27.94	11	12	6-104909-1
△ 30.48	28.45	25.40	10	11	5-104909-0
△ 27.94	25.91	22.86	9	10	5-104909-9
△ 25.40	23.37	20.32	8	9	5-104909-8
△ 22.86	20.83	17.78	7	8	5-104909-7
△ 20.32	18.29	15.24	6	7	5-104909-6
△ 17.78	15.75	12.70	5	6	5-104909-5
△ 15.24	13.21	10.16	4	5	5-104909-4
△ 12.70	10.67	7.62	3	4	5-104909-3
△ 10.16	8.13	5.08	2	3	5-104909-2
△ 7.62	5.59	2.54	1	2	5-104909-1

9 SUPERCEDED  
 9 OBSOLETE  
 9 SUPERCEDED  
 9 SUPERCEDED  
 9 SUPERCEDED  
 9 SUPERCEDED

THIS DRAWING IS A CONTROLLED DOCUMENT.

REVISIONS:  
 BY: [ ] DATE: [ ]  
 BY: [ ] DATE: [ ]

DESCRIPTION:  
 HEADER ASSY, AMP/Modu MTE, VERTICAL SINGLE ROW, 2.54[.100] C/L, 0.64[.025] SQ POSTS, POLARIZED WITH LATCHING & HOLD DOWN, HIGH TEMP

SIZE: [ ] DATE: [ ] DRAWING NO: A1007790 G=104909  
 CUSTOMER DRAWING

NO. OF PART NUMBER  
 PLATING: D C B A