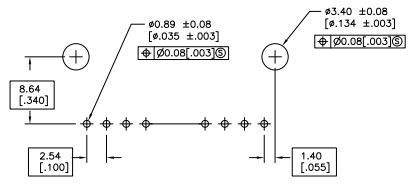
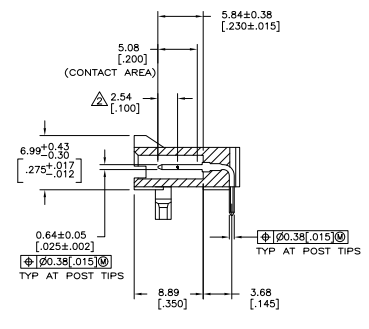
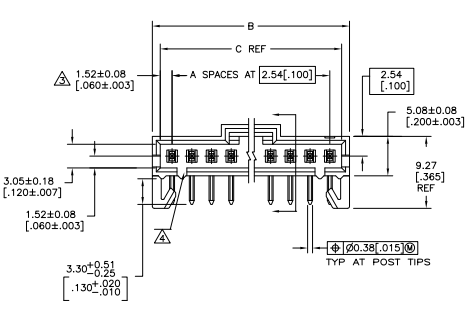
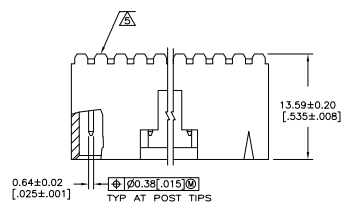


THIS DRAWING IS UNPUBLISHED  
 ALL RIGHTS RESERVED

REV	DATE	DESCRIPTION	BY	CHK
AD 39				
AC3		REVISED PER ECO-11-004587	11MMR11	RK HMR



RECOMMENDED HOLE LAYOUT

THIS DRAWING IS A CONTROLLED DOCUMENT		REV	DATE	DESCRIPTION	BY	CHK
AD 39						
AC3				REVISED PER ECO-11-004587	11MMR11	RK HMR

DESCRIPTION	QUANTITY	UNIT	REVISIONS
HDR ASSY, RTANG, SINGLE ROW	2.54 [100]	CL 0.64 [025]	59 PDSY
WITH FLUX & HOLD DOWN, AMPRODUV MTE			
DATE	114-25026	DATE	100779
REV		REV	103672

THIS DRAWING IS UNPUBLISHED  
 ALL RIGHTS RESERVED

REV	DATE	BY	CHK	DESCRIPTION	DATE	BY	CHK
AD 39				SEE SHEET 1			

- △ .000100 BRIGHT TIN-LEAD OVER .000050 NICKEL.
- △ POINT OF MEASUREMENT FOR PLATING THICKNESS.
- △ THE NOTED DIMENSIONS APPLY AT THE INTERSECTION OF THE POST AND THE HOUSING.
- △ ON ASSEMBLIES WITH FOUR OR MORE POSITIONS, TWO POLARIZATION SLOTS.  
ON ASSEMBLIES WITH TWO OR THREE POSITIONS, ONE POLARIZATION SLOT.
- △ AMP TRADEMARK MOLDED ON THIS SURFACE.
- 6. FOR USE WITH 1.57±0.20[.062±.008] PRINTED CIRCUIT BOARD.
- △ MATERIAL: HOUSING- FLAME RETARDANT THERMOPLASTIC, COLOR-BLACK.  
POSTS- BRASS.
- △ .000100 BRIGHT TIN OVER .000050 NICKEL.
- △ PRELIMINARY PART - NOT RELEASED FOR PRODUCTION.
- △ .000100 MATTE TIN OVER .000050 NICKEL.
- △ HIGH TEMPERATURE CONFIGURATION
- △ OBSOLETE PARTS: OBSOLETE CIS STREAMLINING PER D.RENAUD/D.SINISI

REMARKS	PLATING	C	B	A	NO. OF POSN	PART NO.
		64.01 [2.520]	66.04 [2.600]	24	25	△ 7-103672-4
		61.47 [2.420]	63.50 [2.500]	23	24	△ 7-103672-3
		58.93 [2.320]	60.96 [2.400]	22	23	△ 7-103672-2
		56.39 [2.220]	58.42 [2.300]	21	22	△ 7-103672-1
		53.85 [2.120]	55.88 [2.200]	20	21	△ 7-103672-0
		51.31 [2.020]	53.34 [2.100]	19	20	6-103672-9
		48.77 [1.920]	50.80 [2.000]	18	19	△ 6-103672-8
		46.23 [1.820]	48.26 [1.900]	17	18	△ 6-103672-7
		43.69 [1.720]	45.72 [1.800]	16	17	△ 6-103672-6
		41.15 [1.620]	43.18 [1.700]	15	16	6-103672-5
		38.61 [1.520]	40.64 [1.600]	14	15	△ 6-103672-4
		36.07 [1.420]	38.10 [1.500]	13	14	△ 6-103672-3
		33.53 [1.320]	35.56 [1.400]	12	13	△ 6-103672-2
		30.99 [1.220]	33.02 [1.300]	11	12	6-103672-1
		28.45 [1.120]	30.48 [1.200]	10	11	△ 6-103672-0
		25.91 [1.020]	27.94 [1.100]	9	10	5-103672-9
		23.37 [.920]	25.40 [1.000]	8	9	△ 5-103672-8
		20.83 [.820]	22.86 [.900]	7	8	5-103672-7
		18.29 [.720]	20.32 [.800]	6	7	5-103672-6
		15.75 [.620]	17.78 [.700]	5	6	5-103672-5
		13.21 [.520]	15.24 [.600]	4	5	5-103672-4
		10.67 [.420]	12.70 [.500]	3	4	5-103672-3
		8.13 [.320]	10.16 [.400]	2	3	5-103672-2
		5.59 [.220]	7.62 [.300]	1	2	5-103672-1

REMARKS	PLATING	C	B	A	NO. OF POSN	PART NO.
		25.91 [1.020]	27.94 [1.100]	9	10	3-103672-0
		15.75 [.620]	17.78 [.700]	5	6	2-103672-9
		5.59 [.220]	7.62 [.300]	1	2	2-103672-8
		13.21 [.520]	15.24 [.600]	4	5	2-103672-7
		10.67 [.420]	12.70 [.500]	3	4	2-103672-6
		8.13 [.320]	10.16 [.400]	2	3	2-103672-5
		64.01 [2.520]	66.04 [2.600]	24	25	△ 2-103672-4
		61.47 [2.420]	63.50 [2.500]	23	24	△ 2-103672-3
		58.93 [2.320]	60.96 [2.400]	22	23	△ 2-103672-2
		56.39 [2.220]	58.42 [2.300]	21	22	△ 2-103672-1
		53.85 [2.120]	55.88 [2.200]	20	21	△ 2-103672-0
		51.31 [2.020]	53.34 [2.100]	19	20	△ 1-103672-9
		48.77 [1.920]	50.80 [2.000]	18	19	△ 1-103672-8
		46.23 [1.820]	48.26 [1.900]	17	18	△ 1-103672-7
		43.69 [1.720]	45.72 [1.800]	16	17	△ 1-103672-6
		41.15 [1.620]	43.18 [1.700]	15	16	1-103672-5
		38.61 [1.520]	40.64 [1.600]	14	15	1-103672-4
		36.07 [1.420]	38.10 [1.500]	13	14	△ 1-103672-3
		33.53 [1.320]	35.56 [1.400]	12	13	△ 1-103672-2
		30.99 [1.220]	33.02 [1.300]	11	12	1-103672-1
		28.45 [1.120]	30.48 [1.200]	10	11	1-103672-0
		25.91 [1.020]	27.94 [1.100]	9	10	103672-9
		23.37 [.920]	25.40 [1.000]	8	9	103672-8
		20.83 [.820]	22.86 [.900]	7	8	103672-7
		18.29 [.720]	20.32 [.800]	6	7	103672-6
		15.75 [.620]	17.78 [.700]	5	6	103672-5
		13.21 [.520]	15.24 [.600]	4	5	103672-4
		10.67 [.420]	12.70 [.500]	3	4	103672-3
		8.13 [.320]	10.16 [.400]	2	3	103672-2
		5.59 [.220]	7.62 [.300]	1	2	103672-1

THIS DRAWING IS A CONTROLLED DOCUMENT.

DATE	BY	CHK	DESCRIPTION
108-25034	114-25026	A1	00779 G=103672

TE Connectivity  
 HDR ASSY, RTANG, SINGLE ROW  
 2.54[100] CL. 0.64[025] SQ POST,  
 WITH FLUX & HOLD DOWNS, AMPROOF MTE

114-25026  
 00779 G=103672  
 CUSTOMER DRAWING