

4

3

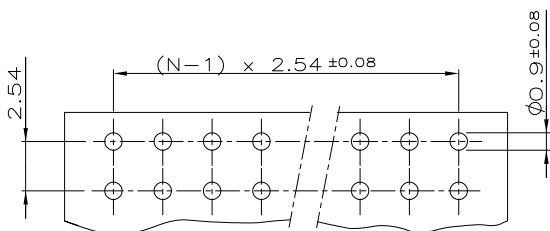
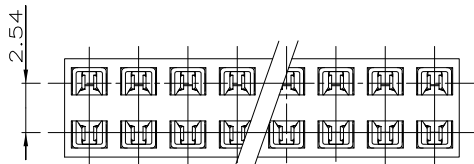
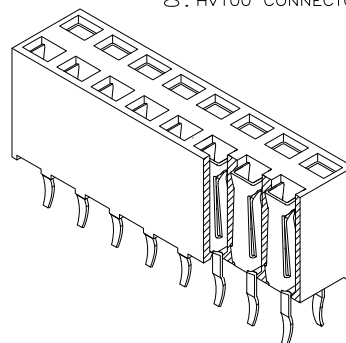
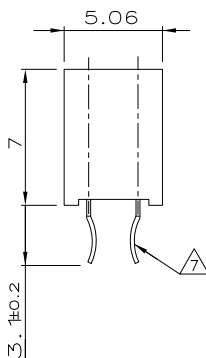
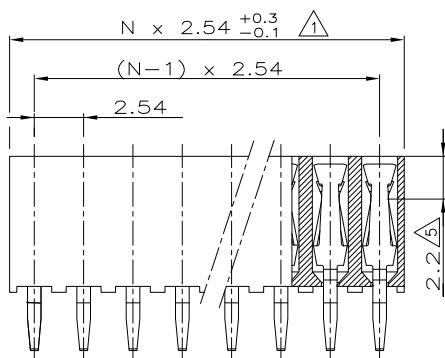
2

1

THIS DRAWING IS UNPUBLISHED.		RELEASED FOR PUBLICATION		METRIC		LOC	DIST	REVISIONS					
COPYRIGHT - By -		ALL RIGHTS RESERVED.						P	LTR	DESCRIPTION	DATE	DWN	APVD
								C2		REVISED PER ECO-11-005150	21MAR11	RK	HMR

NOTES:

- 1. TO DETERMINE DIMENSIONS TAKE  $2 \times N = \text{NR. OF POS.}$ .  
 FOR EXAMPLE:  $2 \times 10 \text{ POS.} = N \times 2,54 = 25,4 \text{ mm.}$   
 FOR ORDER NR. USE BASIC NR. + NR. OF POS.  
 FOR EXAMPLE:  $2 \times 2 \text{ POS.} = 215 \text{ 307-2}$  (SHORTEST VERSION)  
 $2 \times 36 \text{ POS.} = 3-215 \text{ 307-6}$  (LONGEST VERSION)
- 2. HOUSING MATERIAL: GREEN GLASSFILLED POLYESTER, UL 94V-0  
 CONTACT MATERIAL: PHOSPHORBRONZE.
- 3. PLATING: UNDERCOATING:  $1,3 \mu\text{m Ni.}$   
 AT CONT.PLACE:  $0,8 \mu\text{m Au.}$   
 AT SOLDER-TYNES: MIN.  $2,5 \mu\text{m Sn.}$
- 4. MATES WITH 0,63 SQUARE/ROUND MODU POSTS.
- 5. CONTACT-POINT.
- 6. RECOMMENDED P.C.B-BOARD-THICKNESS: 1,6.
- 7. RETENTION FEATURE.
- 8. HV100 CONNECTOR PACKED IN ANTISTATIC BLISTER



P.C.-BOARD HOLE-PATTERN

VERWENDET FÜR E 91-52 572	SEE NOTES FINISH	SEE NOTES MATERIAL	SEE NOTES PARTNUMBER
------------------------------	---------------------	-----------------------	-------------------------

THIS DRAWING IS A CONTROLLED DOCUMENT.		DWN R.VISSER 08.05.87	TE Connectivity HV 100 VERTICAL CONNECTOR DUAL ROW, 7,0mm HEIGHT, TOP ENTRY, GOLD, MAX. 2X36 POSITIONS	
DIMENSIONS: mm		CHK W.SIMONS		
TOLERANCES UNLESS OTHERWISE SPECIFIED:		APVD L.v.SOEST	RESTRICTED TO	
0 PLC ± - 1 PLC ± 0.1 2 PLC ± - 3 PLC ± - 4 PLC ± - ANGLES ± -		PRODUCT SPEC	SIZE	
MATERIAL		APPLICATION SPEC	CAGE CODE	
FINISH		WEIGHT	DRAWING NO	
			A3 00779 C-215307	
		CUSTOMER DRAWING	SCALE	
			5:1	
			SHEET	
			1 OF 1	
			REV	
			C2	