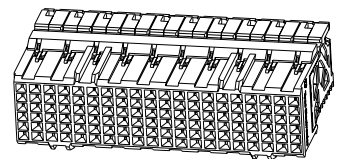
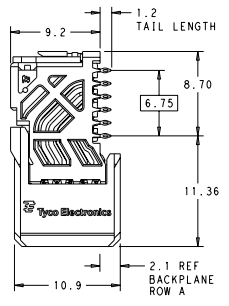
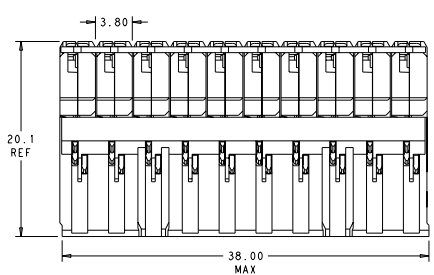
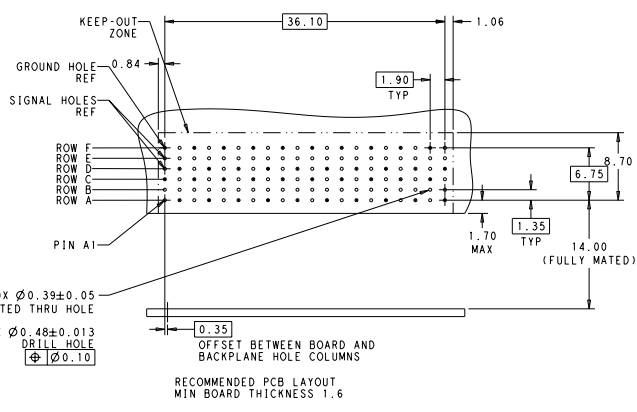
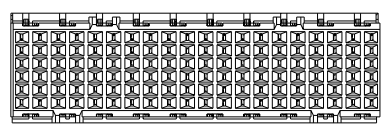


REV	DATE	DESCRIPTION	BY	CHK	APP
4		REVISED PER ECO-12-000416			

- ⚠ MATERIAL:
HOUSING: LCP, GLASS FILLED, UL94V-0.
TERMINALS: HIGH PERFORMANCE COPPER ALLOY.
- ⚠ FINISH:
30μ" SELECTIVE GOLD IN CONTACT AREA. SELECTIVE TIN ON PCB TAILS, NICKEL OVERALL.
- ⚠ FINISH:
30μ" SELECTIVE GOLD IN CONTACT AREA. SELECTIVE TIN-LEAD ON PCB TAILS, NICKEL OVERALL.



SCALE 4:1



RECOMMENDED PCB LAYOUT
 MIN BOARD THICKNESS 1.6

DESIGN APPROVED THIS PRINT IS
PRELIMINARY
 TO FIRST PIECE APPROVAL
 CONTACT PRODUCT ENGINEERING
 BEFORE USING THIS PRINT

NONE	⚠	2143949-5
NONE	⚠	2143949-1
KEY POSITION	FINISH	PART NUMBER

THIS DRAWING IS A CONTROLLED DOCUMENT.

REV	DATE	DESCRIPTION
1	24SEP2012	IMPACT 12 PIN 20 COLUMN UNGUIDED SIGNAL MODULE 0.99 EVEL 2
2	24SEP2012	
3	24SEP2012	

IMPACT 12 PIN 20 COLUMN UNGUIDED SIGNAL MODULE 0.99 EVEL 2

SCALE CODE (DRAWING NO) A 00779 ©=2143949

CUSTOMER DRAWING