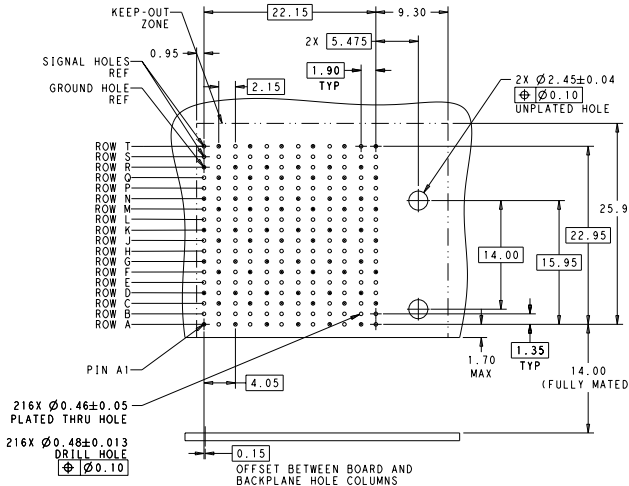
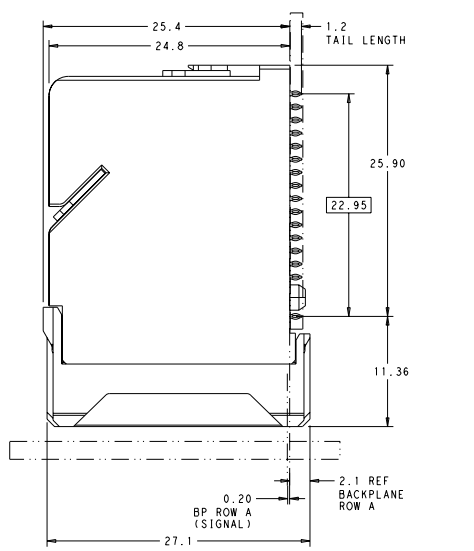
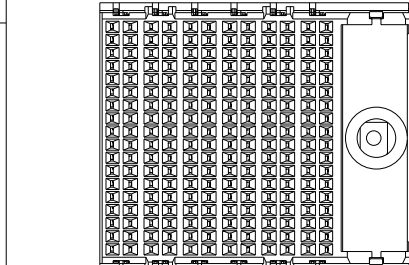
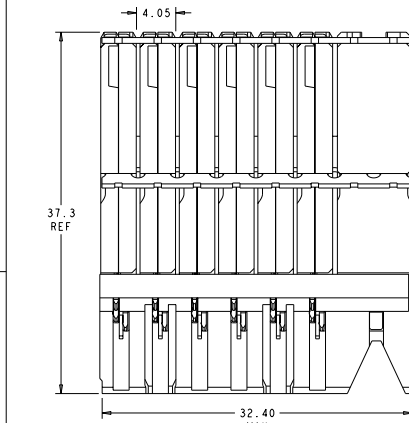


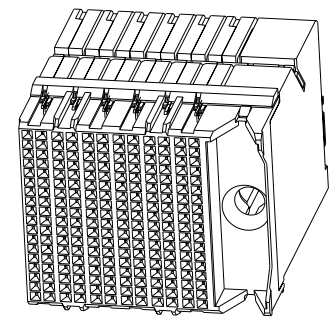
DATE REVISION TO IMPLEMENTED	REVISIONS FOR PUBLICIZATION	28
02/03/2012	ALL RIGHTS RESERVED	



RECOMMENDED PCB LAYOUT  
MIN BOARD THICKNESS 1.0

REV	DATE	DESCRIPTION	BY	CHK	APP
AD	00				
B		REVISED PER ECO-12-000423			

- ⚠ MATERIAL:  
HOUSING: LCP, GLASS FILLED, UL94V-0.  
TERMINALS: HIGH PERFORMANCE COPPER ALLOY.
  - ⚠ FINISH:  
30μ" SELECTIVE GOLD IN CONTACT AREA, SELECTIVE TIN ON PCB TAILS, NICKEL OVERALL.
  - ⚠ FINISH:  
30μ" SELECTIVE GOLD IN CONTACT AREA, SELECTIVE TIN-LEAD ON PCB TAILS, NICKEL OVERALL.
4. CONNECTORS SUPPLIED WITH MOUNTING SCREWS.



SCALE 4:1  
REFER TO WWW.TE.COM FOR PRODUCT AVAILABILITY

NONE	⚠	2132728-5
NONE	⚠	2132728-1
KEY POSITION	FINISH	PART NUMBER

THIS DRAWING IS A CONTROLLED DOCUMENT.		REV	110472011
DATE	02/03/2012	CD	01008
REV	00	REV	00
DATE	02/03/2012	REV	00
DESCRIPTION	IMPACT, ORTHOGONAL & PAIR, DAUGHTERCARD, 12 COLUMN, RIGHT GUIDED, SIGNAL MODULE, 0.48 EYELET	SIZE	SEE TABLE
REVISION		STATE	00779
CUSTOMER DRAWING		CUSTOMER DRAWING	2132728