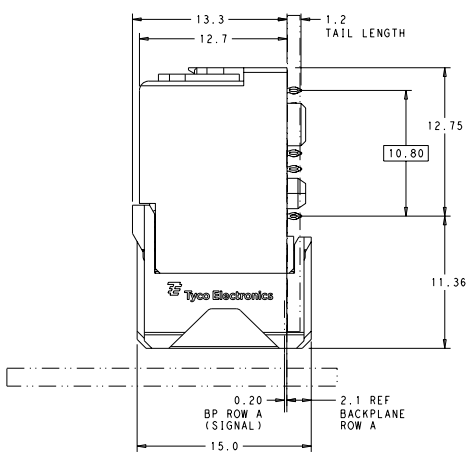
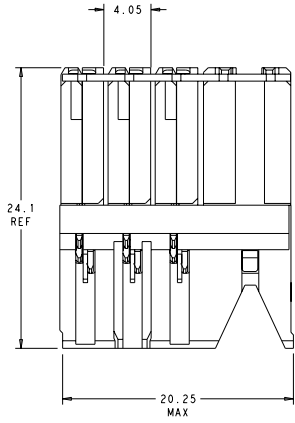
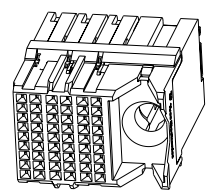


REV	DATE	DESCRIPTION	BY	CHK	APP
AD	00				
3		REVISED PER ECO-12-000423	HLANDZ	AN	DD

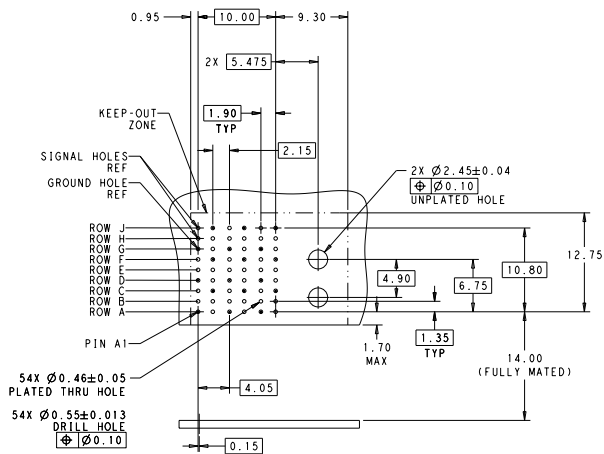
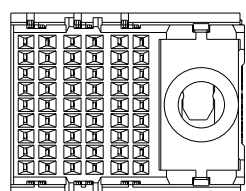


- △ MATERIAL:
HOUSING: LCP, GLASS FILLED, UL94V-0.
TERMINALS: HIGH PERFORMANCE COPPER ALLOY.
 - △ FINISH:
30µ" SELECTIVE GOLD IN CONTACT AREA. SELECTIVE TIN ON PCB TAILS, NICKEL OVERALL.
 - △ FINISH:
30µ" SELECTIVE GOLD IN CONTACT AREA. SELECTIVE TIN-LEAD ON PCB TAILS, NICKEL OVERALL.
4. CONNECTORS SUPPLIED WITH MOUNTING SCREWS.



SCALE 4:1

REFER TO WWW.TE.COM FOR PRODUCT AVAILABILITY



OFFSET BETWEEN BOARD AND BACKPLANE HOLE COLUMNS
 RECOMMENDED PCB LAYOUT
 MIN BOARD THICKNESS 1.0

DESIGN APPROVED THIS PRINT IS
PRELIMINARY
 TO FIRST PIECE APPROVAL
 CONTACT PRODUCT ENGINEERING
 BEFORE USING THIS PRINT

NONE	△	2132441-5
NONE	△	2132441-1
KEY POSITION	FINISH	PART NUMBER

THIS DRAWING IS A CONTROLLED DOCUMENT.		REV. 25342011	TE CONNECTIVITY
DATE: 25342011	BY: ALISON	25342011	IMPACT, ORTHOGONAL 3 PAIR DAUGHTERCARD 6 COLUMN, RIGHT GUIDED SIGNAL MODULE, 0.46 EYELET
SCALE: 4:1	SCALE CODE: 4:1	REV: 00779	2132441
CUSTOMER DRAWING	DATE: 6-11-07	REV: 1	PAGE: 3