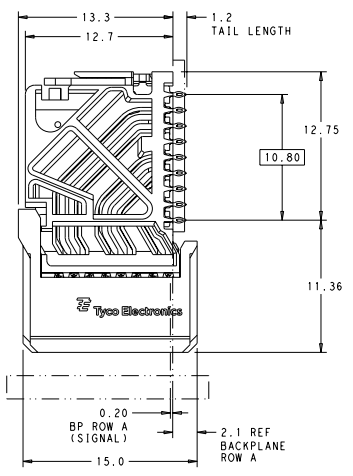
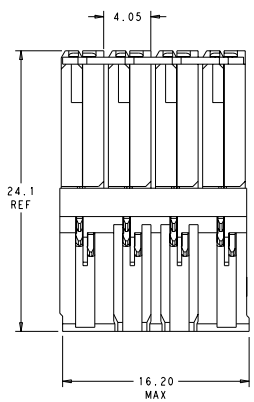


6	7	6	5	4	3	2	1
DATE MANUFACTURE: REVISED FOR PUBLICATION				ALL RIGHTS RESERVED			

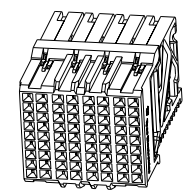
REV	DATE	DESCRIPTION	BY	CHK	APP
8		REVISED PER ECO-12-000423	16.02.12	AK	DD



**△ MATERIAL:**  
 HOUSING: LCP, GLASS FILLED, UL94V-0.  
 TERMINALS: HIGH PERFORMANCE COPPER ALLOY.

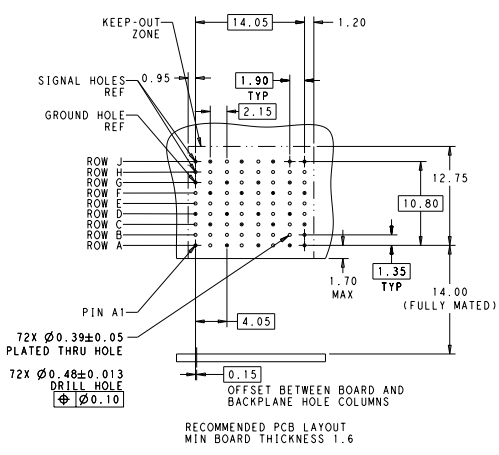
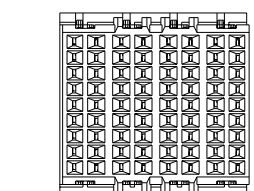
**△ FINISH:**  
 30μm SELECTIVE GOLD IN CONTACT AREA, SELECTIVE TIN ON PCB TAILS, NICKEL OVERALL.

**△ FINISH:**  
 30μm SELECTIVE GOLD IN CONTACT AREA, SELECTIVE TIN-LEAD ON PCB TAILS, NICKEL OVERALL.



SCALE 4:1

REFER TO WWW.TE.COM  
 FOR PRODUCT AVAILABILITY



DESIGN APPROVED THIS PRINT IS  
**PRELIMINARY**  
 TO FIRST PIECE APPROVAL.  
 CONTACT PRODUCT ENGINEERING  
 BEFORE USING THIS PRINT

NONE		2132427-5
NONE		2132427-1
KEY POSITION	FINISH	PART NUMBER

THIS DRAWING IS A CONTROLLED DOCUMENT		DATE: 21JUN2011
REV: 8	REVISED PER ECO-12-000423	DATE: 21JUN2011
BY: DD	CHK: AK	DATE: 16.02.12
MATERIAL: SEE TABLE	APPLICATION SPEC: A	STATE CODE (RELATING TO CUSTOMER DRAWING)
REVISED PER ECO-12-000423	IMPACT: ORTHOGONAL 3 PAIR DAUGHTERCARD, 8 COLUMN NO GUIDE, SIGNAL MODULE 0.39 EYELET	REVISED PER ECO-12-000423

488 10/11  
 PRE-ENGINEER DRAWING