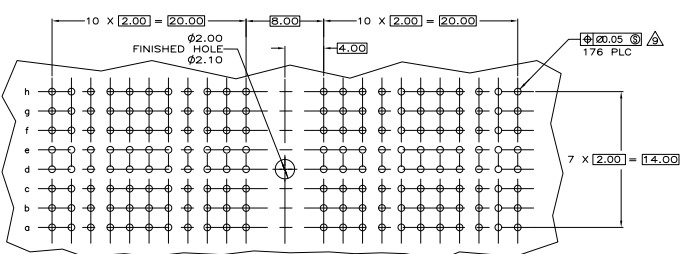
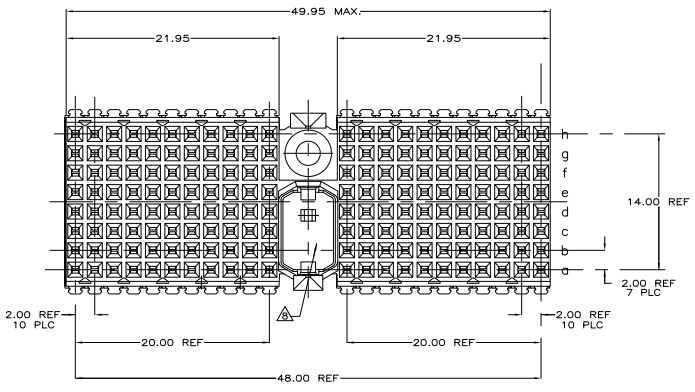
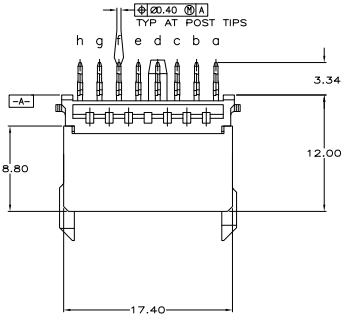
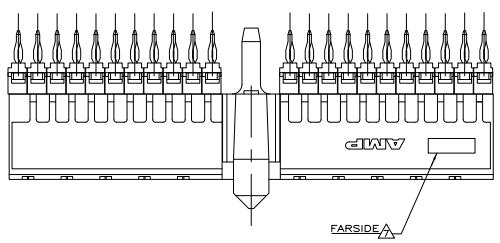


THIS DRAWING IS UNPUBLISHED
 UNLESS INDICATED OTHERWISE
 © 2008 BY TELCORDIA ELECTRONICS CORPORATION. ALL RIGHTS RESERVED.

REV	DATE	DESCRIPTION	BY	CHK
AD 00				
C1	REV PER ECD-10-00043	16JAN10	KK	AEG
D	ECR-10-019054	15SEP10	DP	MOG
E	ECO-11-024491	13DEC11	ST	MOG



RECOMMENDED PCB HOLE LAYOUT
 COMPONENT SIDE SHOWN

PLATED THRU HOLES PARAMETERS
 REFERENCE APPLICATION SPECIFICATION

- △ MATERIAL:
 CONTACT: PHOSPHOR BRONZE
 HOUSING: GLASS-FILLED POLYESTER.
- △ GENERAL PLATING SPECIFICATION: UNDERPLATING
 (ENTIRE CONTACT); 1.27µm MIN NICKEL AND ACTION
 PIN: 0.5µm MIN TIN/LEAD.
 FOR PLATING OF MATING SURFACES SEE APPLICABLE
 SPECIFICATION REFERENCE FOR EACH DASH NUMBER.
- △ CONFORMS TO ALL TESTING ACCORDING TO IEC 61076-4-101
 PERFORMANCE LEVEL 2.
- △ CONFORMS TO ALL TESTING ACCORDING TO IEC 61076-4-101
 PERFORMANCE LEVEL 1.
- △ CONNECTOR TESTED AND QUALIFIED AGAINST TELCORDIA GR-1217-CORE QUALITY LEVEL 3,
 CENTRAL OFFICE APPLICATIONS.
- △ CONNECTOR TESTED AND QUALIFIED AGAINST TELCORDIA GR-1217-CORE QUALITY LEVEL 3,
 UNCONTROLLED ENVIRONMENT APPLICATIONS.
- △ CONNECTOR MARKED WITH PART NUMBER AND DATE CODE.
 ADDITIONAL CHARACTERS OR MARKINGS, AS WELL AS THE LOCATION OF THE MARKINGS,
 MAY BE ADDED FOR TRACEABILITY BASED UPON MANUFACTURERS DISCRETION.
- △ AREA RESERVED FOR KEYING PART (BASIC P.N. 100526).
- △ PLATED-THROUGH HOLES AT 2x2mm SQUARE GRID
 176 HOLES.
- △ CONNECTOR LUBRICATED WITH BELCORE APPROVED LUBRICANT,
 TECHNICAL REFERENCE: TR-NWT-001217 ISSUE 1, SEP 1992.
- △ OBSOLETE PARTS: OBSOLETE CIS STREAMLINING PER D.RENAUD/D.SINISI

FINISH	PART NUMBER
△△△△	1-646538-9
△△△	646538-9
△△	646538-9
△	646538-1

THIS DRAWING IS A CONTROLLED DOCUMENT.

DESIGNED BY	DATE	REVISED BY	DATE
DR	108-1622	DR	114-19029

RECEPTACLE ASSEMBLY, VERTICAL, 176 POSN.,
 TYPE D, 8 ROW, Z-PACK 2mm HW

SEE TABLE

CUSTOMER DRAWING

DATE: 5.1