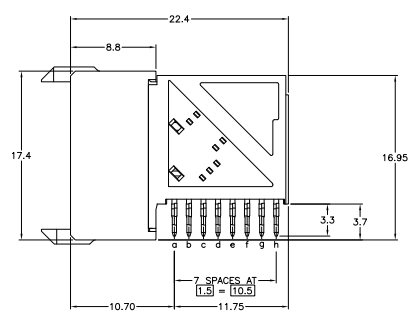
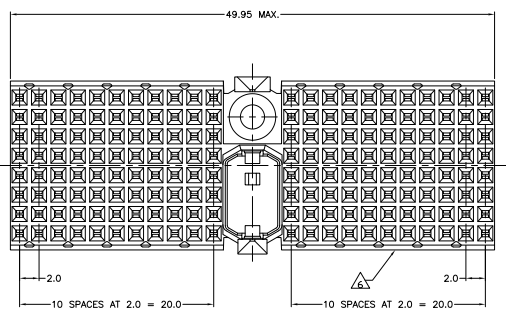
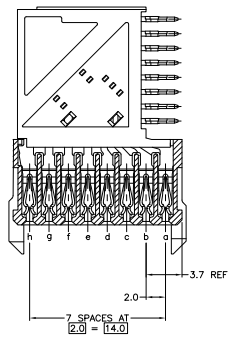
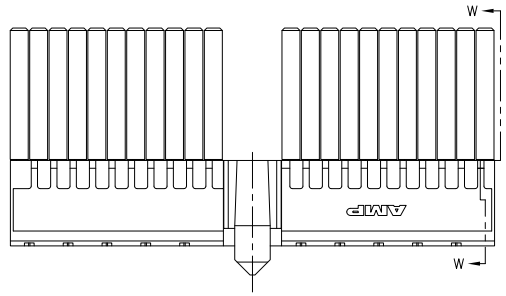
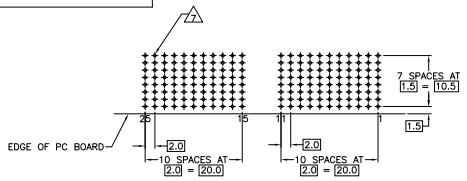


THIS DRAWING IS UNPUBLISHED. ALL RIGHTS RESERVED.
 © 2008 BY TYS ELECTRONICS CORPORATION. ALL RIGHTS RESERVED.

REV	DATE	DESCRIPTION	BY	CHKD
H1	REV PER ECO-10-05906	12MAY2010	JY	SY
J	ECR-10-018652	10SEP10	JS	MCW
K	ECO-11-024491	13NOV11	SY	MCW



PLATED THRU HOLES PARAMETERS
 REFERENCE APPLICATION SPECIFICATION



RECOMMENDED PCB-HOLE LAYOUT
 COMPONENT SIDE SHOWN
 SCALE 2.5:1

- △ MATERIAL:
 CONTACT: PHOSPHOR BRONZE.
 HOUSING: GLASS-FILLED POLYESTER.
- △ GENERAL PLATING SPECIFICATION: UNDERPLATING
 (ENTIRE CONTACT): 1.27µm MIN NICKEL AND ACTION
 PIN: 0.5µm MIN TIN/LEAD.
 FOR PLATING OF MATING SURFACES SEE APPLICABLE
 SPECIFICATION REFERENCE FOR EACH DASH NUMBER.
- △ CONFORMS TO ALL TESTING ACCORDING TO IEC 61076-4-101
 PERFORMANCE LEVEL 2.
- △ CONFORMS TO ALL TESTING ACCORDING TO IEC 61076-4-101
 PERFORMANCE LEVEL 1.
- △ CONNECTOR TESTED AND QUALIFIED AGAINST TELCORDIA GR-1217-CORE QUALITY LEVEL 3,
 CENTRAL OFFICE APPLICATIONS.
- △ CONNECTOR MARKED WITH PART NUMBER AND DATE CODE.
 ADDITIONAL CHARACTERS OR MARKINGS, AS WELL AS THE LOCATION OF THE MARKINGS,
 MAY BE ADDED FOR TRACEABILITY BASED UPON MANUFACTURERS DISCRETION.
- △ PLATED-THROUGH HOLES AT 2x2mm SQUARE GRID
 PATTERN DEFINED BY CONTACT LAYOUT.
- △ CONNECTOR LUBRICATED WITH BELCORE APPROVED LUBRICANT.
 TECHNICAL REFERENCE: TR-NWT-001217 ISSUE 1, SEP 1992.
- △ 0.76µm MIN GOLD PLATING AT MATING SURFACES.

FINISH	PART NUMBER
△△△	3-646442-0
△△△	646442-9
△△△	646442-4
△△△	646442-1

THIS DRAWING IS A CONTROLLED DOCUMENT.

DESIGNER	DATE	REVISED	DATE
DR	10/10/08	DR	10/10/08
CHKD	10/10/08	CHKD	10/10/08
APPD	10/10/08	APPD	10/10/08

Customer Drawing: A1 00779 G=646442

Scale: 2.5:1