

8	7	6	5	4	3	2	1
FILE NUMBER: 19-00000000	REVISED FOR PUBLICATION						
© 2018 TE CONNECTIVITY		ALL RIGHTS RESERVED					

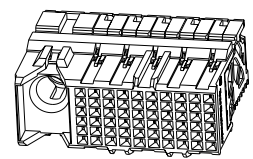
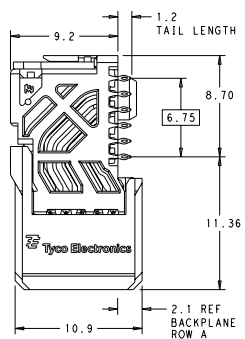
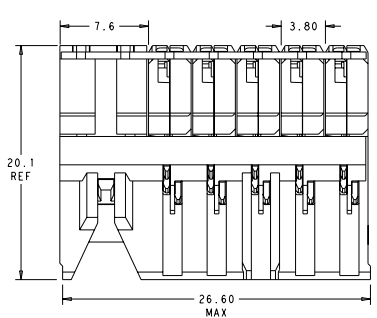
REVISOR		REVISIONS	
NO.	DATE	DESCRIPTION	BY
AD	00	REVISED PER ECO-12-000416	

▲ MATERIAL:  
 HOUSING: LCP, GLASS FILLED, UL94V-0.  
 TERMINALS: HIGH PERFORMANCE COPPER ALLOY.

▲ FINISH:  
 30µ" SELECTIVE GOLD IN CONTACT AREA, SELECTIVE TIN  
 ON PCB TAILS, NICKEL OVERALL.

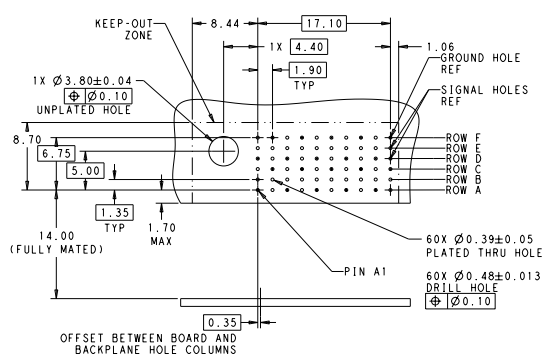
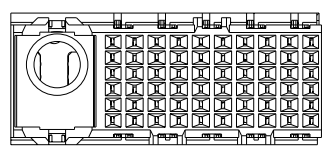
▲ FINISH:  
 30µ" SELECTIVE GOLD IN CONTACT AREA, SELECTIVE TIN-LEAD  
 ON PCB TAILS, NICKEL OVERALL.

4. CONNECTORS SUPPLIED WITH MOUNTING SCREWS



SCALE 4:1

REFER TO WWW.TE.COM FOR PRODUCT AVAILABILITY



RECOMMENDED PCB LAYOUT  
 MIN BOARD THICKNESS 1.6

NONE	▲	2057403-5
NONE	▲	2057403-1
KEY POSITION	FINISH	PART NUMBER

THIS DRAWING IS A CONTROLLED DOCUMENT.		BY: MILLER, 19AUG2018	DATE: 19AUG2018
APPROVED BY: SLOAN, 19AUG2018		DATE: 19AUG2018	
REV: 00	DATE: 19AUG2018	BY: SLOAN	DATE: 19AUG2018
MATERIAL: SEE TABLE		DESCRIPTION: IMPACT, STD, R/A, 2 PAIR, 10 COLUMN, DAUGHTERBOARD, LEFT GUIDED SIGNAL	MOBILE, 0.39 EYELET
PART NUMBER: 2057403		STATE: A	SCALE CODE: 00
CUSTOMER DRAWING		DATE: 00779	REV: 2057403

4803-10011  
 PROFESSIONAL DRAWING