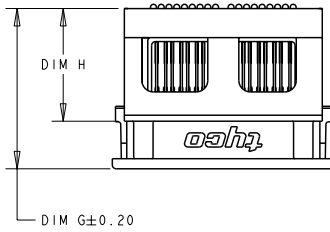
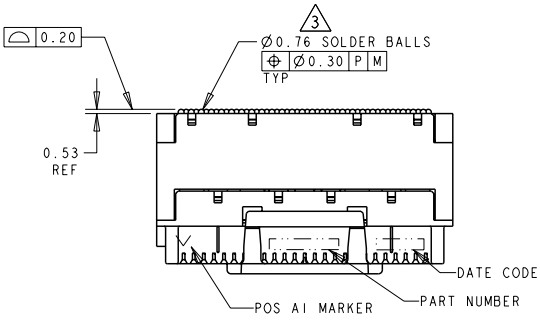
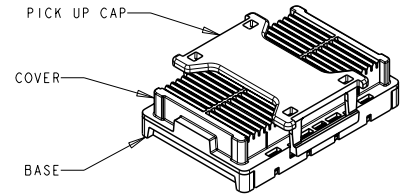
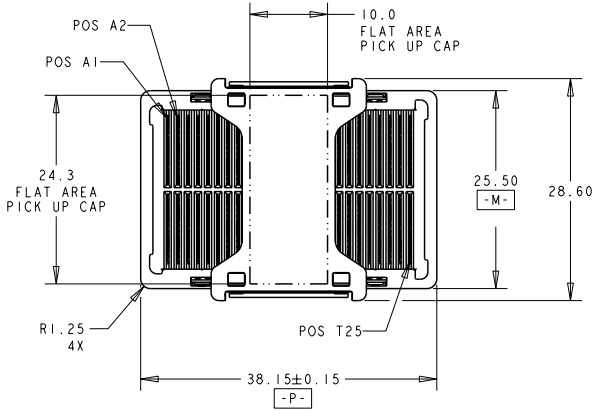


THIS DRAWING IS UNPUBLISHED. RELEASED FOR PUBLICATION
 © COPYRIGHT 20 BY TYCO ELECTRONICS CORPORATION. ALL RIGHTS RESERVED.

LOC	DIST	REVISIONS				
P	LTR	DESCRIPTION	DATE	DWN	APVD	
GP	00	A	RELEASED	07NOV2007	BC	DD



TYPICAL ASSEMBLY
 15mm SHOWN
 SCALE 2:1



ISOMETRIC VIEW
 TYPICAL CONFIGURATION
 FOR 5mm ASSEMBLY
 SCALE 3:2

<small>THIS DRAWING IS A CONTROLLED DOCUMENT FOR TYCO ELECTRONICS CORPORATION AND IS SUBJECT TO CHANGE. THE CONTROLLING ENGINEERING ORGANIZATION SHOULD BE CONTACTED FOR THE LATEST REVISION.</small>		DWN 07NOV2007 B. CARBO CHK 07NOV2007 D. DIXON APVD 07NOV2007 D. DIXON	Tyco Electronics Harrisburg, PA 17105-3608
DIMENSIONS: mm	TOLERANCES UNLESS OTHERWISE SPECIFIED: 0 PLC ± 1 PLC ±0.3 2 PLC ±0.10 3 PLC ±0.050 4 PLC ± ANGLES 32°	NAME PRODUCT SPEC APPLICATION SPEC WEIGHT	STEP-Z, RECEPTACLE ASSEMBLY, 200 SIGNAL POSITION - 114-13101 -
MATERIAL FINISH	1 2	SIZE CAGE CODE DRAWING NO RESTRICTED TO	A3 00779 C-2007615 -
CUSTOMER DRAWING		SCALE -	SHEET 1 OF 4 REV A

AMP 1470-19 REV 31MAR2000

Pro/ENGINEER DRAWING

4

3

2

1

THIS DRAWING IS UNPUBLISHED. RELEASED FOR PUBLICATION 20
 © COPYRIGHT 20 BY TYCO ELECTRONICS CORPORATION. ALL RIGHTS RESERVED.

LOC	DIST	REVISIONS				
P	LTR	DESCRIPTION	DATE	DWN	APVD	
GP	00	SEE SHEET 1	-	-	-	

1 MATERIAL:
 BASE, SPACER, COVER: THERMOPLASTIC
 PICK UP CAP: THERMOPLASTIC
 CONTACT: COPPER ALLOY
 SOLDER BALL: Sn/Pb FOR P/N 1761615-1 THRU 5-1761615-0
 Sn/Ag FOR P/N 5-1761615-1 THRU 9-1761615-9

2 FINISH:
 CONTACT: 0.00076 MIN GOLD OVER 0.00127 MIN NICKEL,
 (30µ" MIN GOLD OVER 50µ" MIN NICKEL)

3 SOLDER BALLS WILL NOT BE PERFECT
 SPHERICAL SHAPE DUE TO REFLOW ATTACHMENT.

4 CONTACTS IN ROWS A,C,E,G,J,K,M,P,R, AND T
 ARE SINGLE BEAM CONTACTS,
 TYPICALLY USED AS GROUND PINS.
 (NOTE: CONTACTS IN ROWS J & K ARE TIED
 TOGETHER [COMMONED]).

5 CONTACTS IN ROWS B,D,F,H,L,N,O, AND S
 ARE DUAL BEAM CONTACTS,
 TYPICALLY USED AS SIGNAL PINS.

6 SPECIFIED POSITIONAL TOLERANCE DEFINES PAD TO PAD
 LOCATION WITHIN LAND PATTERN. POSITIONAL TOLERANCE
 OF LAND PATTERN TO FUDICIAL MARKS OR PCB DATUMS
 SHALL BE DEFINED BY CUSTOMER. FOR RECOMMENDED
 PRODUCT APPLICATION AND PCB DESIGN DETAILS, SEE
 APPLICATION SPEC 114-13101.

7 SOLDER PADS UNUSED, MAY BE OMITTED.

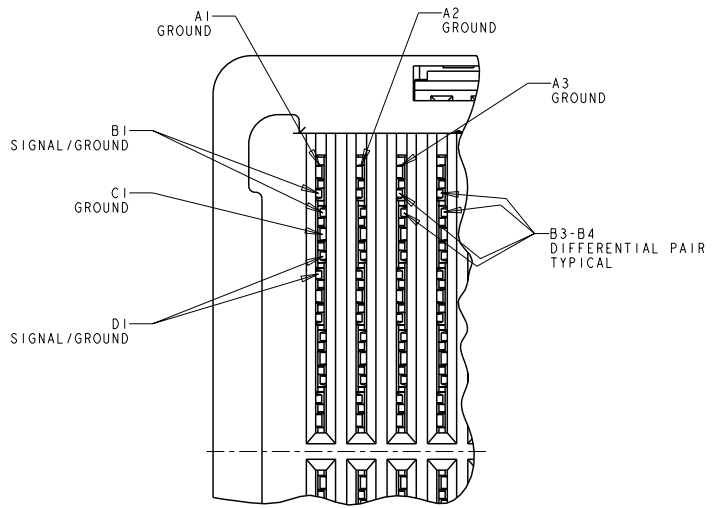
8 REFERENCE BOARD PATTERN FOR DIMENSIONS
 AND DETAILS NOT SHOWN.

9 HARD BLACK PLASTIC JEDEC STYLE TRAY.

10 PACKAGING:
 28 CONNECTORS PER TRAY,
 8 TRAYS PER SHIPPING BOX.
 SOLD ONLY IN BOX QUANTITIES (224).
 AVAILABLE IN SINGLE SOFT CLEAR TRAY
 QUANTITY (25) AS X-1761615-X (SAME DASH NUMBERS).

11 ANTISTATIC MATERIAL.

12 CONNECTOR ORIENTATION:
 POSITION A1 IN UPPER RIGHT CORNER.



RECEPTACLE INTERFACE
 SCALE 8:1

TRAY COLOR	DIM T	DIM H	DIM G	LOAD STYLE	DESCRIPTION	PART NUMBER
BLUE	11.3	4.51	10.65	FULL LOAD-200 POSN	5mm Sn/Ag	5-2007615-5
BLACK	11.3	4.51	10.65	FULL LOAD-200 POSN	5mm Sn/Pb	2007615-5

DIMENSIONS: mm 		TOLERANCES UNLESS OTHERWISE SPECIFIED: 0 PLC ±. 1 PLC ±0.3 2 PLC ±0.10 3 PLC ±0.050 4 PLC ±. ANGLES ±°		DWN B. CARBO 07NOV2007 CHK D. DIXON 07NOV2007 APVD D. DIXON 07NOV2007 PRODUCT SPEC 108-2143 APPLICATION SPEC 114-13101 WEIGHT - CUSTOMER DRAWING		Tyco Electronics Harrisburg, PA 17105-3608 NAME STEP-Z, RECEPTACLE ASSEMBLY, 200 SIGNAL POSITION SIZE CAGE CODE DRAWING NO RESTRICTED TO A3 00779 C-2007615 SCALE - SHEET 2 OF 4 REV A	
-----------------------	--	--	--	--	--	--	--

4

3

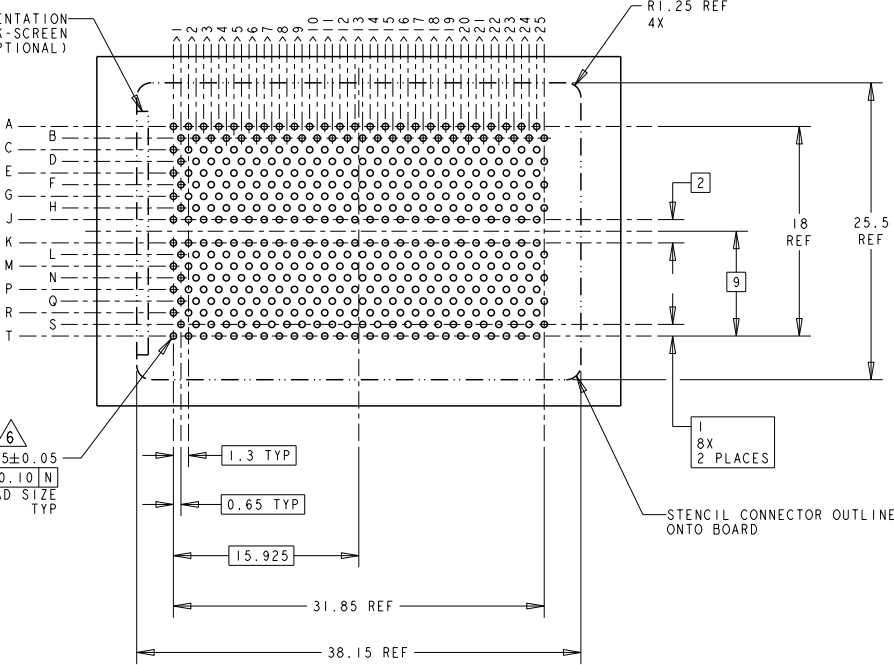
2

1

THIS DRAWING IS UNPUBLISHED. RELEASED FOR PUBLICATION 20
 COPYRIGHT 20 BY TYCO ELECTRONICS CORPORATION. ALL RIGHTS RESERVED.

LOC	DIST	REVISIONS				
P	LTR	DESCRIPTION	DATE	DWN	APVD	
GP	00	SEE SHEET 1	-	-	-	

KEY ORIENTATION
SILK-SCREEN
(OPTIONAL)



6
 $\varnothing 0.55 \pm 0.05$
 $\varnothing 0.10$ N
 PAD SIZE
 TYP

4 5 BOARD PATTERN
 SCALE 3:1

THIS DRAWING IS A CONTROLLED DOCUMENT FOR TYCO ELECTRONICS CORPORATION
 IT IS SUBJECT TO CHANGE AND THE CONTROLLING ENGINEERING ORGANIZATION
 SHOULD BE CONTACTED FOR THE LATEST REVISION.

DIMENSIONS:	TOLERANCES UNLESS OTHERWISE SPECIFIED:
mm	0 PLC ±
	1 PLC ±0.3
	2 PLC ±0.10
	3 PLC ±0.050
	4 PLC ±
MATERIAL	ANGLES 45°
	FINISH

DWN 07NOV2007	Tyco Electronics Harrisburg, PA 17105-3608	
CHK B. CARBO	NAME	
APVD D. DIXON	STEP-Z, RECEPTACLE ASSEMBLY, 200 SIGNAL POSITION	
PRODUCT SPEC 108-2143	SIZE	CAGE CODE
APPLICATION SPEC 114-13101	A3	00779
WEIGHT	DRAWING NO	RESTRICTED TO
CUSTOMER DRAWING	C-2007615	-
SCALE -	SHEET 3	OF 4
	REV A	

4

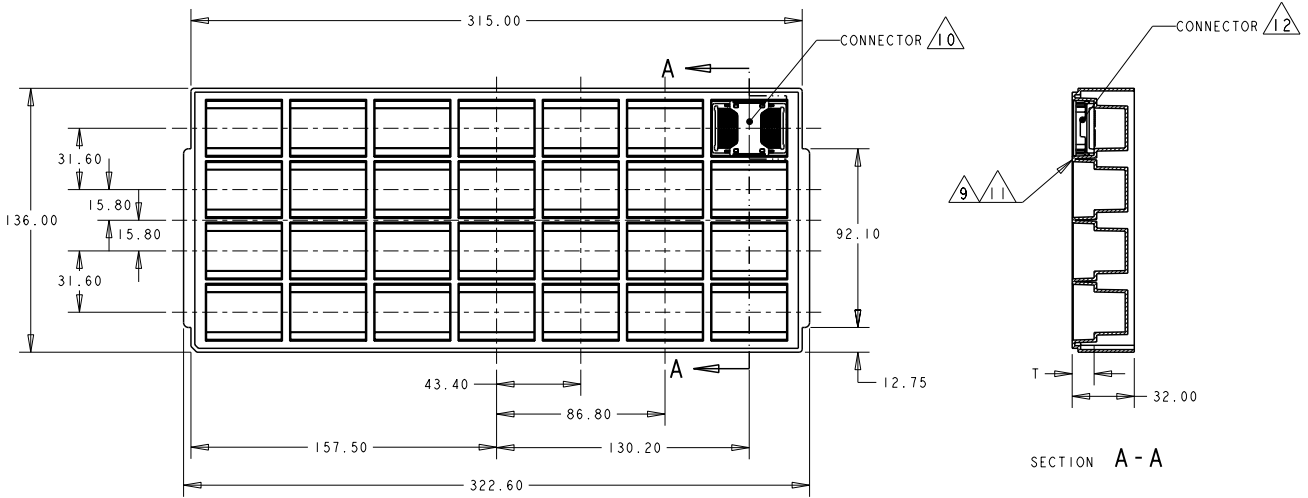
3

2

1

THIS DRAWING IS UNPUBLISHED. RELEASED FOR PUBLICATION 20
COPYRIGHT 20 BY TYCO ELECTRONICS CORPORATION. ALL RIGHTS RESERVED.

LOC	DIST	REVISIONS				
P	LTR	DESCRIPTION	DATE	DWN	APVD	
GP	00	SEE SHEET 1	-	-	-	



SCALE 1:2

<small>THIS DRAWING IS A CONTROLLED DOCUMENT FOR TYCO ELECTRONICS CORPORATION IT IS SUBJECT TO CHANGE AND THE CONTROLLING ENGINEERING ORGANIZATION SHOULD BE CONTACTED FOR THE LATEST REVISION.</small>		DWN B. CARBO 07NOV2007	Tyco Electronics Harrisburg, PA 17105-3608	
DIMENSIONS: mm		CHK D. DIXON 07NOV2007	NAME STEP-Z, RECEPTACLE ASSEMBLY, 200 SIGNAL POSITION	
		APVD D. DIXON 07NOV2007	PRODUCT SPEC 108-2143	
TOLERANCES UNLESS OTHERWISE SPECIFIED: 0 PLC ± 1 PLC ±0.3 2 PLC ±0.10 3 PLC ±0.050 4 PLC ± ANGLES ±°		APPLICATION SPEC 114-13101	SIZE A3	CAGE CODE 00779
MATERIAL	FINISH	WEIGHT	DRAWING NO C-2007615	RESTRICTED TO
		CUSTOMER DRAWING	SCALE	SHEET 4 OF 4 REV A

AMP 1470-19 REV 31MAR2000