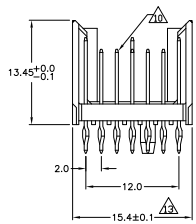
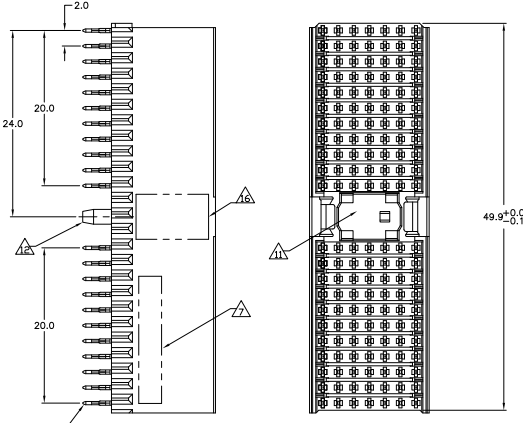


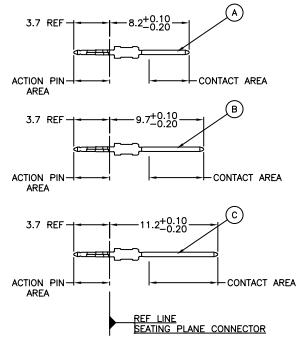
THIS DRAWING IS UNPUBLISHED
 ALL RIGHTS RESERVED

REV	DATE	DESCRIPTION	BY	CHK	APP
00					
E1		REVISED PER ECO-11-005033	28M0111	RK	HMR

**CONNECTOR ASSEMBLY
 EXEMPLARY LOADED**



CONTACT DIMENSIONS
 SCALE 5:1

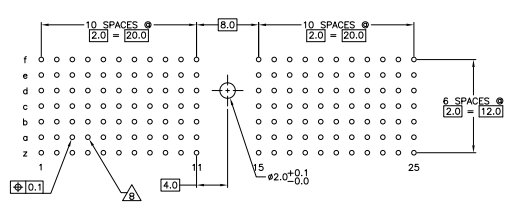


CONTACT LAYOUT

	z	a	b	c	d	e	f
1	C	B	B	B	B	B	C
2	C	B	B	B	B	B	C
3	C	B	B	B	B	B	C
4	C	B	B	B	B	B	C
5	C	B	B	B	B	B	C
6	C	B	B	B	B	B	C
7	C	B	B	B	B	B	C
8	C	B	B	B	B	B	C
9	C	B	B	B	B	B	C
10	C	B	B	C	B	B	C
MULTI PURPOSE CENTER							
15	C	B	B	B	B	B	C
16	C	B	B	B	B	B	C
17	C	B	B	B	B	B	C
18	C	B	B	B	B	B	C
19	C	B	B	B	B	B	C
20	C	B	B	B	B	B	C
21	C	B	B	B	B	B	C
22	C	B	B	B	B	B	C
23	C	B	B	B	B	B	C
24	C	B	B	B	B	B	C
25	C	B	B	B	B	B	C

**RECOMMENDED PCB-HOLE LAYOUT
 COMPONENT SIDE SHOWN**

PLATED THRU HOLES PARAMETERS
 REFERENCE APPLICATION SPECIFICATION



△	3-188834-0
△	1-188834-9
△	188834-9
△	188834-4
△	188834-1
△	PART NUMBER

THIS DRAWING IS A CONTROLLED DOCUMENT.		REV	DATE	DESCRIPTION	BY	CHK	APP
INCHES	MILLIMETERS						
1/16	1.588						
1/32	0.794						
3/64	0.397						
1/8	0.125						
3/16	0.188						
1/4	0.250						
5/16	0.312						
3/8	0.375						
7/16	0.438						
1/2	0.500						
5/8	0.625						
3/4	0.750						
7/8	0.875						
1	1.000						
1 1/8	1.125						
1 1/4	1.250						
1 3/8	1.375						
1 1/2	1.500						
1 5/8	1.625						
1 3/4	1.750						
1 7/8	1.875						
2	2.000						
2 1/8	2.125						
2 1/4	2.250						
2 3/8	2.375						
2 1/2	2.500						
2 5/8	2.625						
2 3/4	2.750						
2 7/8	2.875						
3	3.000						
3 1/8	3.125						
3 1/4	3.250						
3 3/8	3.375						
3 1/2	3.500						
3 5/8	3.625						
3 3/4	3.750						
3 7/8	3.875						
4	4.000						
4 1/8	4.125						
4 1/4	4.250						
4 3/8	4.375						
4 1/2	4.500						
4 5/8	4.625						
4 3/4	4.750						
4 7/8	4.875						
5	5.000						
5 1/8	5.125						
5 1/4	5.250						
5 3/8	5.375						
5 1/2	5.500						
5 5/8	5.625						
5 3/4	5.750						
5 7/8	5.875						
6	6.000						
6 1/8	6.125						
6 1/4	6.250						
6 3/8	6.375						
6 1/2	6.500						
6 5/8	6.625						
6 3/4	6.750						
6 7/8	6.875						
7	7.000						
7 1/8	7.125						
7 1/4	7.250						
7 3/8	7.375						
7 1/2	7.500						
7 5/8	7.625						
7 3/4	7.750						
7 7/8	7.875						
8	8.000						
8 1/8	8.125						
8 1/4	8.250						
8 3/8	8.375						
8 1/2	8.500						
8 5/8	8.625						
8 3/4	8.750						
8 7/8	8.875						
9	9.000						
9 1/8	9.125						
9 1/4	9.250						
9 3/8	9.375						
9 1/2	9.500						
9 5/8	9.625						
9 3/4	9.750						
9 7/8	9.875						
10	10.000						

8	7	6	5	4	3	2	1
THIS DRAWING IS UNPUBLISHED		NEEDED FOR VERIFICATION					
© SUPPLIER		ALL RIGHTS RESERVED					

REV. NO.	DATE	DESCRIPTION	BY	APP'D
AD 00		SEE SHEET 1		

- △ MATERIAL:
CONTACT: PHOSPHOR BRONZE.
HOUSING: GLASS-FILLED POLYESTER.
- △ GENERAL PLATING SPECIFICATION: UNDERPLATING
(ENTIRE CONTACT): 1.27µm MIN NICKEL AND ACTION
PIN: 0.5µm MIN TIN LEAD.
FOR PLATING OF MATING SURFACES SEE APPLICABLE
SPECIFICATION REFERENCE FOR EACH DASH NUMBER.
- △ CONFORMS TO ALL TESTING ACCORDING TO IEC 61076-4-101
PERFORMANCE LEVEL 2.
- △ CONFORMS TO ALL TESTING ACCORDING TO IEC 61076-4-101
PERFORMANCE LEVEL 1.
- △ CONNECTOR TESTED AND QUALIFIED AGAINST TELCORDIA GR-1217-CORE QUALITY LEVEL 3,
CENTRAL OFFICE APPLICATIONS.
- △ CONNECTOR TESTED AND QUALIFIED AGAINST TELCORDIA GR-1217-CORE QUALITY LEVEL 3,
UNCONTROLLED ENVIRONMENT APPLICATIONS.
- △ CONNECTOR MARKED WITH PART NUMBER AND DATE CODE.
ADDITIONAL CHARACTERS OR MARKINGS, AS WELL AS THE LOCATION OF THE MARKINGS,
MAY BE ADDED FOR TRACEABILITY BASED UPON MANUFACTURERS DISCRETION.
- △ PLATED-THROUGH HOLES AT 2x2mm SQUARE GRID
PATTERN DEFINED BY CONTACT LAYOUT.
- △ FOR ACTUAL PIN LOADING SEE "CONTACT LAYOUT".
- △ FOR ACTUAL PIN DIMENSIONS SEE "CONTACT DIMENSIONS".
- △ AREA RESERVED FOR KEYING PART (BASIC P/N 100525)
- △ POLARIZATION FEATURE.
- △ TO BE MEASURED AT BOTTOM OF SHROUD.
- △ CONNECTOR LUBRICATED WITH BELCORE APPROVED LUBRICANT,
TECHNICAL REFERENCE: TR-NWT-001217 ISSUE 1, SEP 1992.
- △ 0.76µm MIN GOLD PLATING MATING SURFACES.
- △ VOID CORING PERMISSIBLE IN THIS AREA

THIS DRAWING IS A CONTROLLED DOCUMENT.		DESIGNED BY	100001	TE Connectivity	
DRAWN BY		100001	100001	TE Connectivity	
CHECKED BY		100001	100001	TE Connectivity	
APPROVED BY		100001	100001	TE Connectivity	
DATE		10B-19082	10B-19082	MALE ASSEMBLY, 2-PACK 2mm HM, TYPE A	
REV. NO.		114-19029	114-19029	REVISED TO	
DATE				DATE	
BY				BY	
APP'D				APP'D	
CUSTOMER DRAWING		A1 00779 (G=188834)		SHEET 2 OF 2	

488 (2/10)